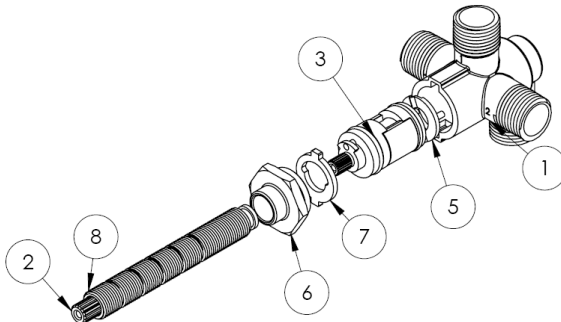
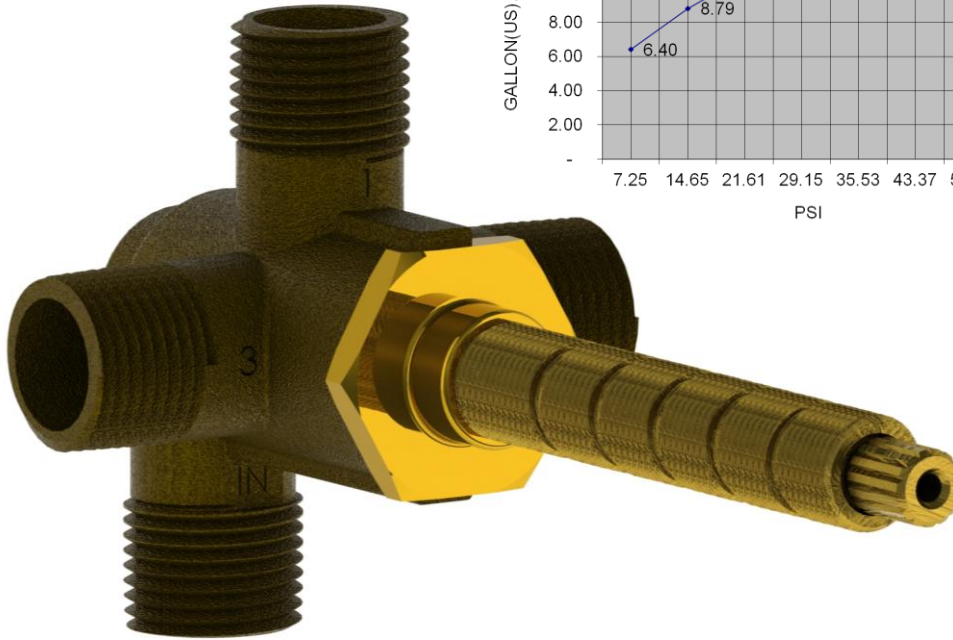
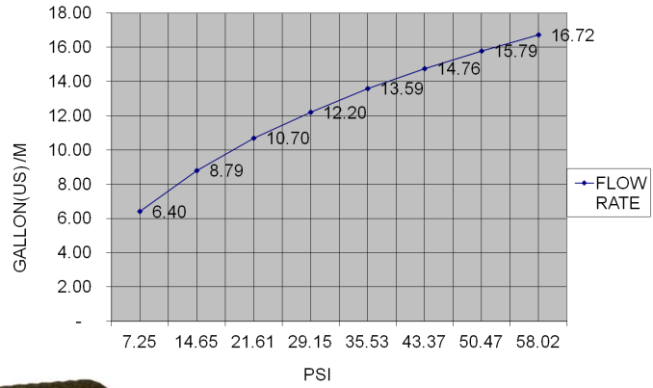


SS-WD3

3 Way In Wall Diverter

Stem and nipple will require cutting to accommodate trim

BV630,631 (TWO PORTS)
90%-90%



ITEM NO.	PART NUMBER	QTY.
1	SS-WD3	1
2	SS-WD2-STM	1
3	CRT-WD2	1
5	SS-WD2-PLSTC-CLICKR	1
6	SS-WD2-NUT	1
7	CRT-WD3-DISK	1
8	SS-WD2-NPPL	1

