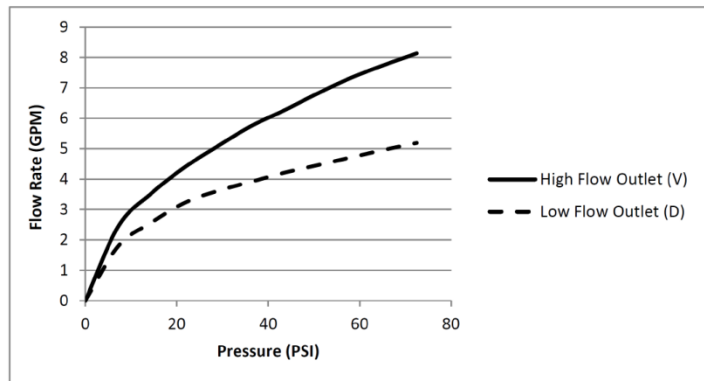
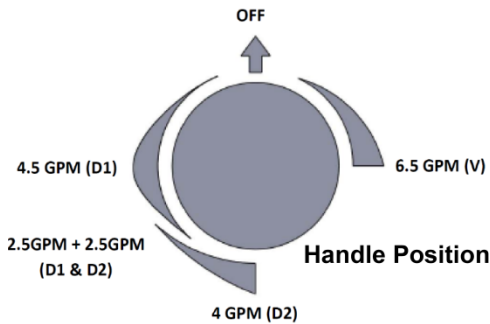
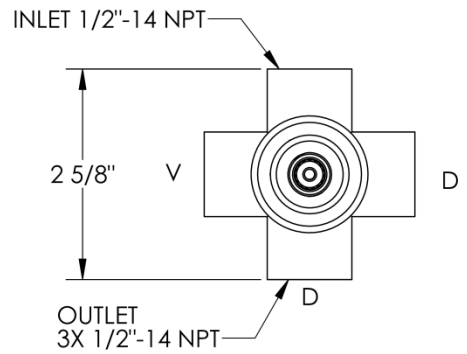
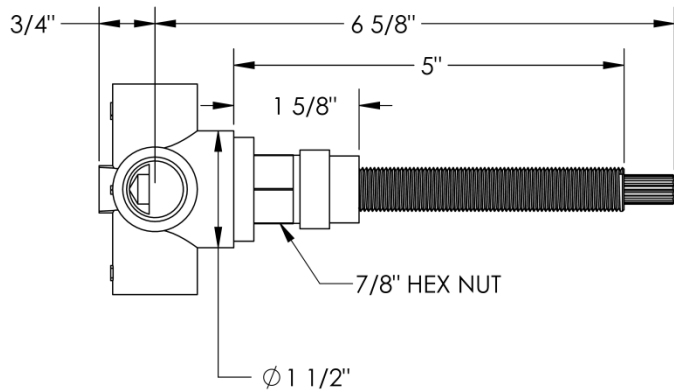


SS-VCWD3

1/2" Wall (Tile) Stop + 3 Way Diverter in One



Meets the applicable requirements of ASME A112.18.1-2005/CSA B125.1-05, entitled "Plumbing Supply Fittings"