

TOX150H-S SPECIFICATIONS

INOX spiral shower hose

FEATURES:

- 59" spiral shower hose

SPECIFICATIONS:

Warranty: One Year Limited Warranty (Residential)
One Year Limited Warranty (Commercial)

Connection: G 1/2"

FINISHES:

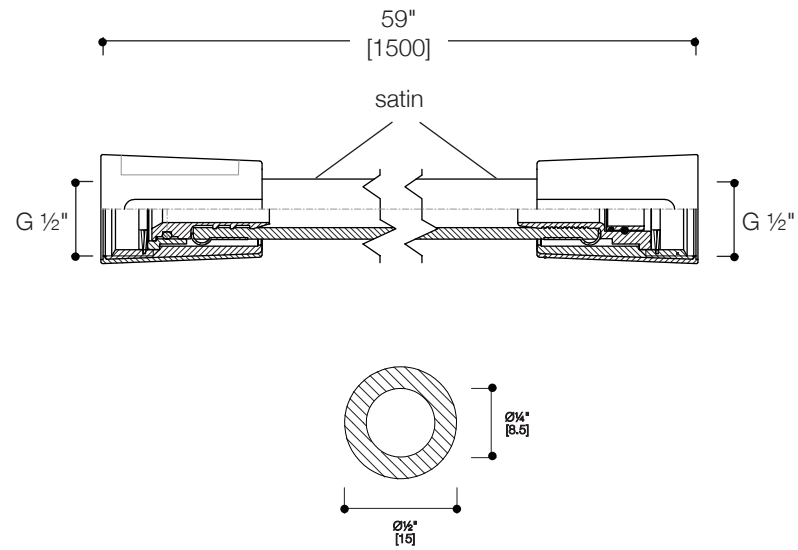
Satin (-S)

INSTALLATION:

Install this product according to the installation guide.
Our products must be installed by certified professionals only
and according to our installation guide as well as federal,
provincial / state and local building codes and regulations.

CODES / STANDARDS APPLICABLE:

- Meets or exceeds ANSI / ASME standard
A112.18.1 and CAN / CSA B125.1-12 requirements



*Approximate measurements for comparison only.
Note: These dimensions and specifications are subject to change without notice.