

TOX117 SPECIFICATIONS

INOX wall-mount handshower with wall union & hose

FEATURES:

- Fixed jet hand shower with 60" Spiral Neoperl shower hose & holder
- Includes built-in wall union
- Clean, elegant design
- Durable finishes

SPECIFICATIONS:

Warranty:	Limited lifetime warranty (residential) One year warranty (commercial)
Connection:	1/2" NPT
Material:	Stainless steel AISI 304
Flow rate:	1.8 gpm @ 60 PSI
Shipping Weight:	1.09 lbs (2.4 kg)
Shipping dimensions:	(LWH) 6 3/4" x 12 1/2" x 3 1/4" (172mm x 320mm x 83mm)*

FINISHES:

- Satin (-S)

ACCESSORIES:

For single function:

- Recommend TOX811R/BT (-S) single-lever wall-mount shower mixer
- Recommend TOX902 (-S) single-lever thermostatic wall-mount dual-lever shower mixer

For additional functions:

- Recommend TOX901 (-S) single-lever thermostatic wall-mount shower mixer
- Recommend TOX900R (-S) diverter (with one-way, two-way or three-way rough-in)

INSTALLATION:

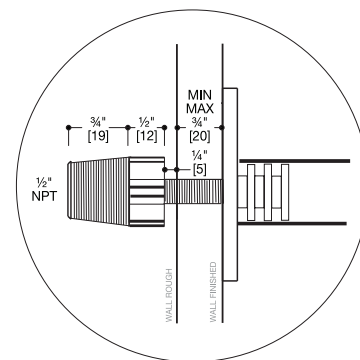
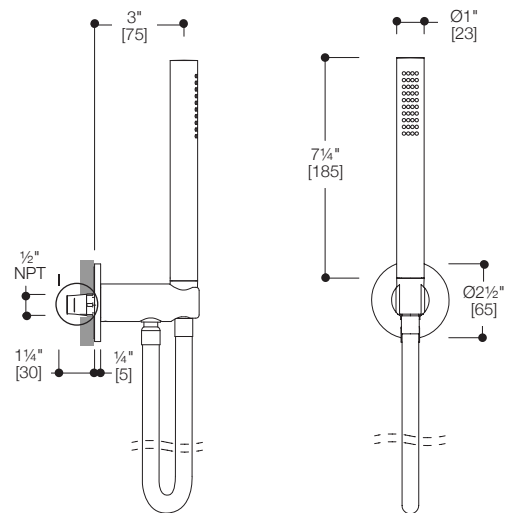
Install this product according to the installation guide. Our products must be installed by certified professionals only and according to our installation guide as well as federal, provincial/state and local building codes and regulations.

CARE AND MAINTENANCE:

See Installation Manual

CODES / STANDARDS APPLICABLE:

- Meets or exceeds ANSI / ASME standard A112.18.1 and CAN / CSA B125.1-05 requirements
- Listed with IAPMO bearing the UPC / cUPC mark
- ADA compliant
- Calgreen compliant
- California AB1953 compliant



DETAIL I

*Approximate measurements for comparison only.

Note: These dimensions and specifications are subject to change without notice.

