

LSeat-slim SPECIFICATIONS

duroplast toilet seat & lid

FEATURES:

- Soft-close, duroplast toilet seat & lid
- Quick release hinge system allowing for convenient removal and cleaning
- Easy installation with top mount screwdriver install
- Contoured seat for user comfort
- Closed-front
- White

SPECIFICATIONS:

Warranty: One Year Limited Warranty
Dimensions: (LW) 18¾" x 14¼"
(474mm x 362)
Material: Duroplast

Duroplast:

Duroplast is a high-performance material providing the look and feel of ceramic.

It is highly impact-resistant with an extremely hard surface, while the smooth, non-porous surface is ideal for maintaining hygienic conditions. Even after years of use, Duroplast loses none of its shine.

- No environmentally hazardous substances, therefore skin-friendly.
- Easy to clean and the smooth, non-porous surface is ideal for maintaining hygiene.
- Highly durable and hard-wearing, resistant to scratches under normal household conditions.

TOILET COMPATIBILITY:

- LW6008, LW6010, LW6020A & LW6030A

INSTALLATION

Refer to install guide

CARE AND MAINTENANCE

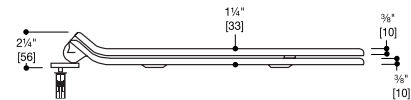
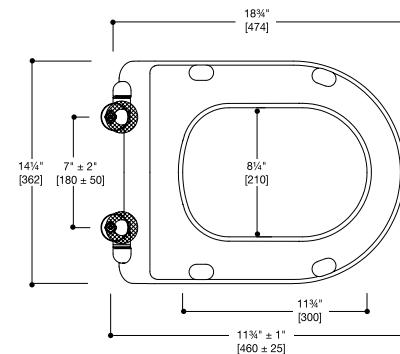
- Wipe the toilet seat with a soft wet cloth
- Clean the toilet seat with a neutral cleaner and then dry with a clean cloth

CAUTION

- Cleaning the toilet seat with abrasive or non ph-neutral cleaners may damage the toilet seat and lid
- Avoid having the seat come in contact with cosmetics (such as nail polish remover)
- Extended exposure to direct sunlight may cause the toilet seat and lid to fade

CODES / STANDARDS APPLICABLE:

- Meets or exceeds ANSI/ASME standard Z124.5, CSA B45 and cUPC requirements



*Approximate measurements for comparison only.
Note: These dimensions and specifications are subject to change without notice.