

# LSeat-004 SPECIFICATIONS

## duroplast toilet seat & lid

### FEATURES:

- Soft-close, duroplast seat & lid
- Quick release hinge system allowing for convenient removal and cleaning
- Easy installation with top mount screwdriver install
- Contoured seat for user comfort
- Closed-front
- White

### SPECIFICATIONS:

Dimensions: (LWH) 18" x 14" x 2"  
(460mm x 360 x 50mm)

Warranty: One Year Limited Warranty

Material: Duroplast

### Duroplast:

Duroplast is a high-performance material providing the look and feel of ceramic. It is highly impact-resistant with an extremely hard surface, while the smooth, non-porous surface is ideal for maintaining hygienic conditions. Even after years of use, Duroplast loses none of its shine.

- No environmentally hazardous substances, therefore skin-friendly.
- Easy to clean and the smooth, non-porous surface is ideal for maintaining hygiene.
- Highly durable and hard-wearing, resistant to scratches under normal household conditions.

### TOILET COMPATIBILITY:

- LW6008, LW6010, LW6020A & LW6030A

### INSTALLATION

Refer to Ref 1 and Install Guides

### CARE AND MAINTENANCE

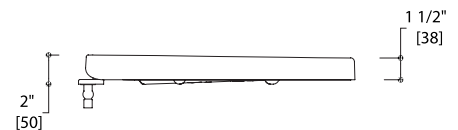
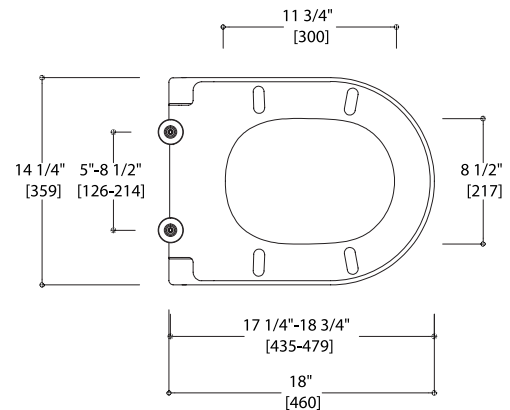
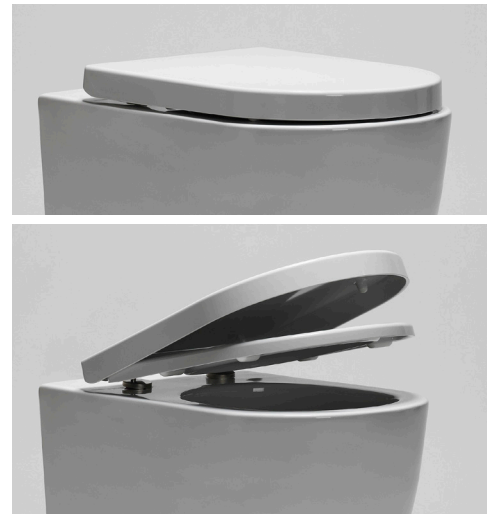
- Wipe the toilet seat with a soft wet cloth
- Clean the toilet seat with a neutral cleaner and then dry with a clean cloth

### CAUTION

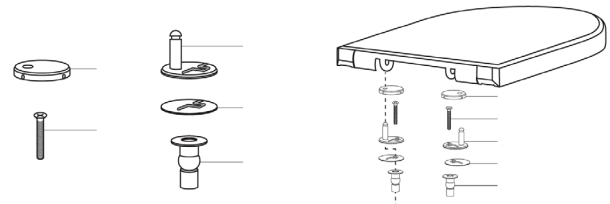
- Cleaning the toilet seat with abrasive or non ph-neutral cleaners may damage the toilet seat and lid
- Avoid having the seat come in contact with cosmetics (such as nail polish remover)
- Extended exposure to direct sunlight may cause the toilet seat and lid to fade

### CODES / STANDARDS APPLICABLE:

- Meets or exceeds ANSI/ASME standard Z124.5, CSA B45 and cUPC requirements



REF 1



\*Approximate measurements for comparison only.

Note: These dimensions and specifications are subject to change without notice.