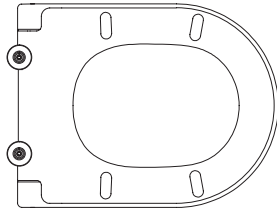
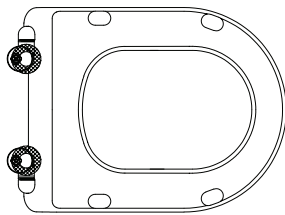


Toilet Seat

Installation Guide



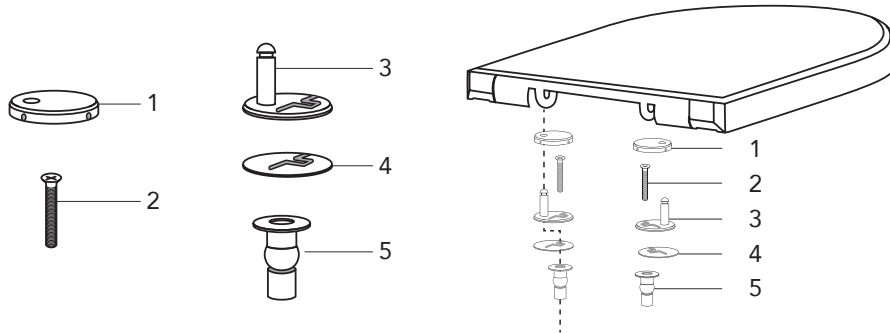
LSeat-004
duroplast



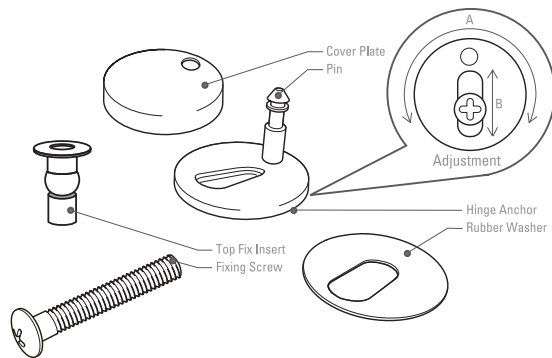
LSeat-slim
duroplast

Toilet Seat Installation Instructions

LSeat-004 · LSeat-slim

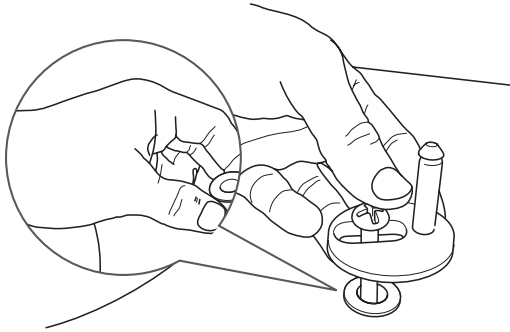


Hinge Adjustment



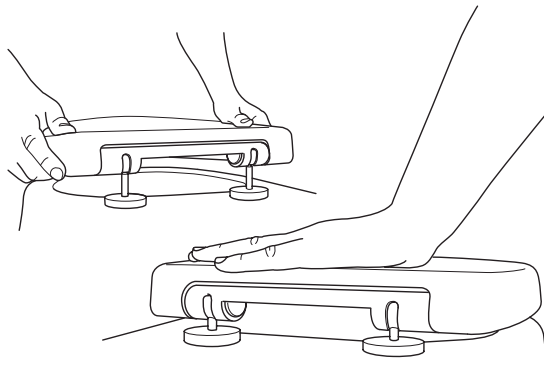
Maximum adjustment of the pin position is achieved by rotating the hinge anchor around the screw (adjustment A in the parts diagram above.) Further fine adjustment of the pin position can be achieved by sliding the screw in the adjustment plate (adjustment B).

1 Fixing the Hinge Anchor



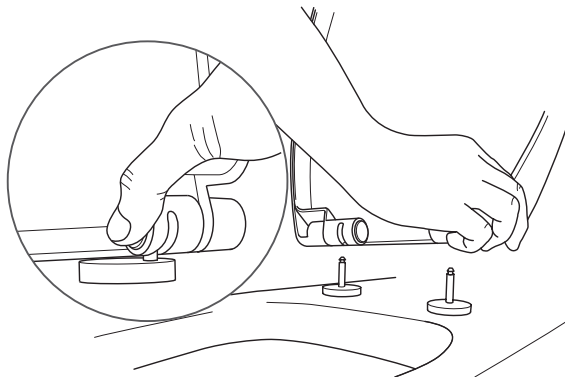
- Place the Top Fix Inserts into the fixing holes in the toilet pan. Insert the screws within the Hinge Anchors as shown and begin to tighten the screws until they are loosely secured to allow for adjustment of the seat on the pan.

2 Fitting the Seat



- Align and insert the pins into the seat hinge sockets and firmly press down until you hear them 'click' into position. Adjust the hinge anchors to make sure the seat lines up with the edges of the toilet pan.
- When you are satisfied the seat is in the correct position, remove the seat from the hinge anchors (see step 3) and fully tighten the screw in the Top Fix Insert (shown in step 1). Place the Cover Plates over the Hinge Anchors.
- Replace the seat and click into position.

3 Quick-Release Mechanism



- This toilet seat is designed for quick and easy removal when cleaning the toilet pan. To activate the quick release lift the lid, seat up and press the button in the centre of the hinges and lift.
- To replace the seat, align the sockets with the pin and firmly press into position.
- Seat is designed to activate the quick release with NO BUTTON. To release, lift lid and seat up, then pull up.

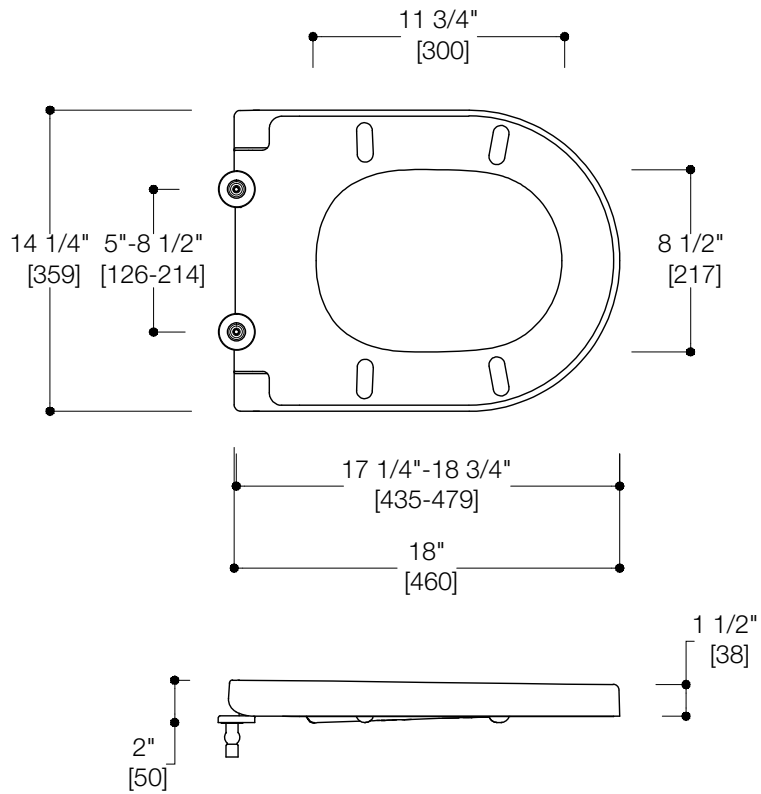
Toilet Seat Maintenance

- Wipe the toilet seat with a soft wet cloth
- Clean the toilet seat with a neutral cleanser, and then dry it with a clean cloth

Caution

- Do not stand on the lid or ring of your toilet seat
- Do not use any abrasive cleaning agents
- Keep toilet seat away from chemicals and cosmetics
- Please do not close the seat or cover forcibly to extend the soft-close function lifespan.
- Please do not clean the seat or cover with strong chemical cleansers or scouring brushes to avoid harming the seat & cover

LSeat-004



LSeat-slim

