



installation guide

M collection

INDEX

Before you begin	p.1
Installation	
• Wall preparation	p.2
• Plumbing	p.3
• Electrical preparation	p.3
• Vanity drilling instruction	p.3
• Cabinet installation	p.4
• Vanity installation	p.5
• Semi-recessed lavatory installation	p.5
• Vessel installation	p.5
• Drawer installation	p.5
• Vanity drawer adjustment	p.6
• Cleaning guide	p.7
• Warranty	p.7

BEFORE YOU BEGIN

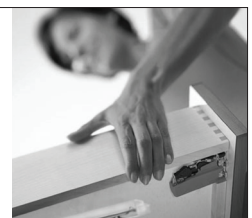
Thank you for choosing from WETSTYLE's line of quality products. Before leaving the manufacturer, the furniture went through our quality control and was in perfect condition.

We recommend that you carefully inspect the furniture prior to installation. If there is any defect, contact your dealer and do not install the furniture. WETSTYLE will not be responsible for any defect once the furniture is installed.

We highly recommend using the services of a professional installer. Read this guide carefully to assure your furniture's proper installation and reliability for many years to come.

For assistance, please call our technical support at 1 866-842-1367.

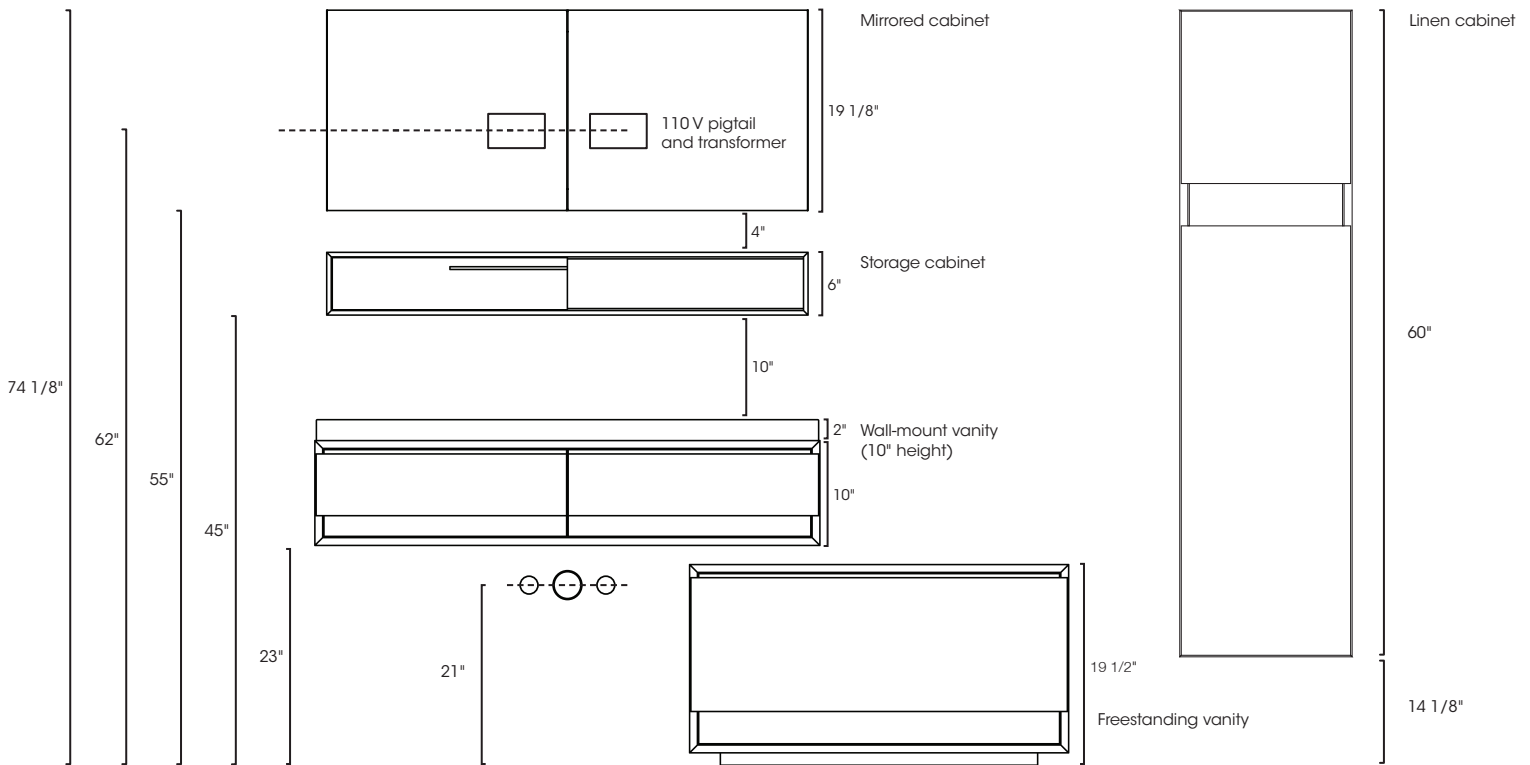
IMPORTANT : Before drilling the vanity, you must **remove the drawers** completely from the vanity **AND cover the glides** with masking tape to protect them from dust produced as a result of the drilling. The removal of the drawers will also facilitate the installation.



TOOLS AND EQUIPMENT

- Jig-saw
- Drill and bits
- Measuring tape
- Protective paper
- Pencil
- Level
- Glasses
- Wood screw #10, 3" and 4" long

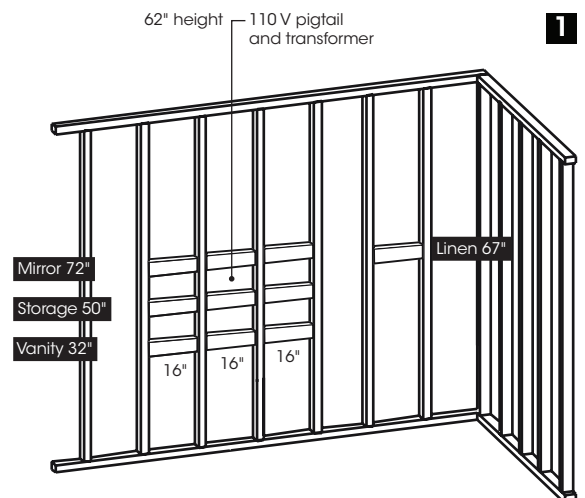
HEIGHTS DIAGRAM



WALL PREPARATION

The M collection is designed to be wall-mounted and needs special wall preparation for the vanity and for the storage, mirrored and linen cabinets.

1. Make sure that walls and floor are straight and level.
2. Determine the desired location of the cabinet.
3. The distance between studs should not be more than 16". **See diagram #1.**
4. Metal studs should be reinforced vertically by 2" x 4" wooden studs.
5. Metal and wooden studs should be reinforced horizontally with 2" x 6" wooden studs at a height of:
 - 32" along the full width of the vanity
 - 50" along the full width of the storage cabinet
 - 72" along the full width of the mirrored cabinet
 - 67" along the full width of the linen cabinet
6. Do not apply the wall surface until all braces have been installed and all plumbing and electrical rough-ins have been completed.



PLUMBING

The pipes should be positioned at a height of 21".

For the **10" height vanity**, the pipes are under the vanity. We recommend using a decorative round bottle trap from Mountain Plumbing #MT2000 available in chrome or brushed nickel.

For the **18" height vanity**, the pipes are inside the furniture.

ELECTRICAL PREPARATON

For the LED lighting mirrored cabinet option, ask an electrician to make a 110V pigtail at 62" height and hook up to the main circuit. Make sure the electrical supply at the fuse box unit is insulated before attempting installation. Located in the back wall, the 110 V pigtail and the transformer, must be installed in adequate electrical boxes (the transformer dimensions are 1 ¼" x 2 ¼" x 3¾") **See heights diagram.**

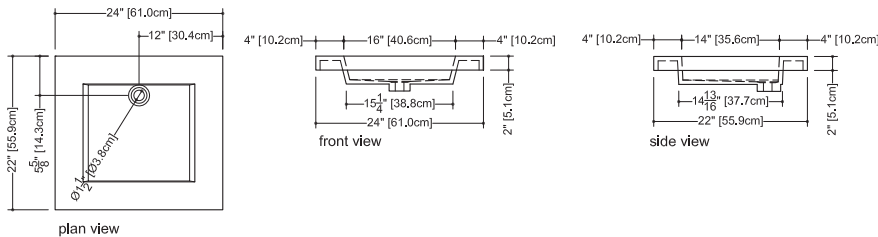
VANITY DRILLING INSTRUCTION FOR LAVATORY - VESSEL - FAUCETS - DRAIN - PIPES

! ATTENTION : Before drilling the vanity, make sure to take out the drawers and protect the glides from dust by covering them with masking tape.

SEMI-RECESSED LAVATORY

Examine the space to make sure there is adequate room for the sink, the drain and the pipe. To calculate the opening for the lavatory, use the interior dimension and add 1" to the length and 1" to the width.

Example lavatory VCS 24 Interior dimension: length 16" width 14"



A VCS 24 would need an opening of 18" length by 16" width

1. Use a white pencil and trace the openings required to install the lavatory and the pipe on the cabinet.

PIPES

The pipes for the 10" height wall-mounted vanities will exceed the height of the vanities. The vanities that are 24", 36", 48" and 60" in length are already pre-pierced. For an aesthetic look, we recommend using a Decorative Round Style Bottle Trap (Mountain Plumbing #MT2000 in chrome or brushed nickel).

2. Use a jigsaw to cut around the tracing in order to complete the desired opening.

VESSEL SINK

1. Examine the space to make sure there is adequate room for the vessel sink and the pipe. Use a white pencil and trace the openings required to install the vessel, the faucets (single hole or 3-hole), the drain, and the pipe on the cabinet.

PIPES

The pipes for the 10" height wall-mounted vanities will exceed the height of the vanities. The vanities that are 24", 36", 48" and 60" in length are already pre-pierced. For an aesthetic look, we recommend using a Decorative Round Style Bottle Trap (Mountain Plumbing #MT2000 in chrome or brushed nickel).

- Use a jigsaw to cut around the tracing in order to complete the desired opening.

CABINET INSTALLATION FOR WALL-MOUNT VANITY - STORAGE - MIRROR - LINEN

All cabinets must be wall-mounted with the WOODEN Z-Clip system that is provided with the furniture.

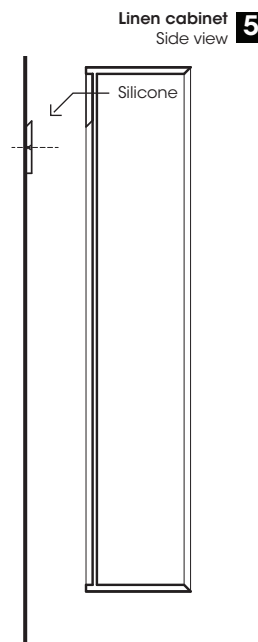
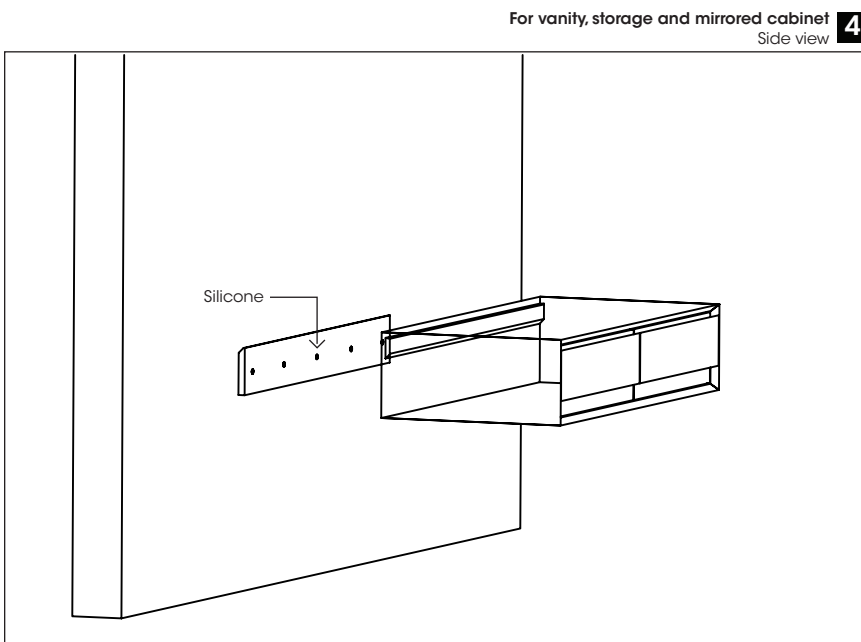
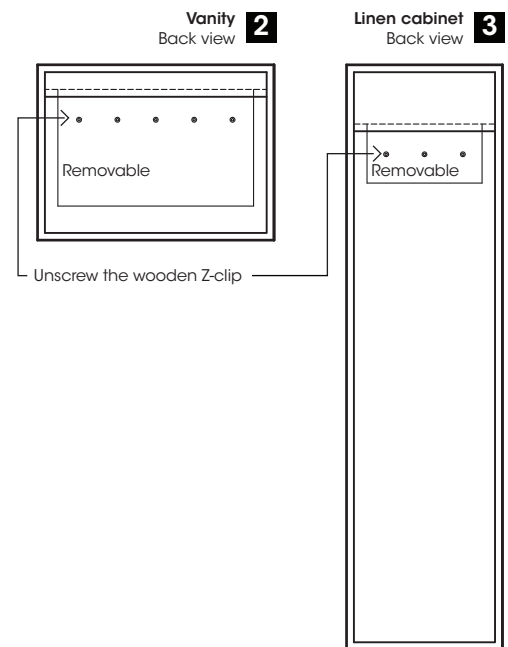
Unscrew the WOODEN Z-Clip that is temporarily attached to the vanity. **See diagram #2 and #3.**

Note: The freestanding vanity installation does not require a WOODEN Z-CLIP.

Pre-drill pilot holes into the WOODEN Z-CLIP to accommodate 3" long #10 wooden screws. Then, firmly screw the WOODEN Z-CLIP to the wall. Make sure the WOODEN Z-CLIP is level. **See diagram #4.**

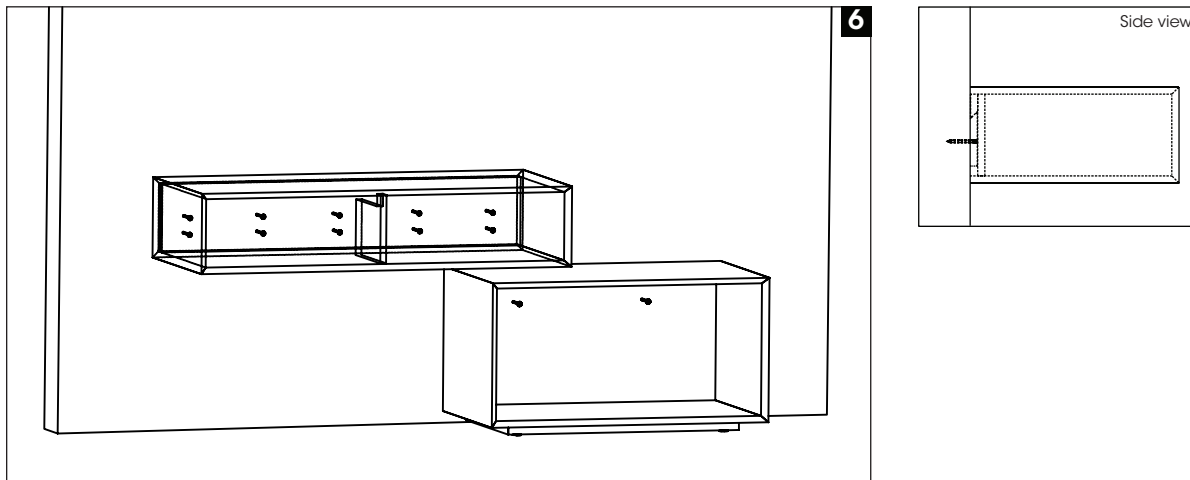
The wall-mounted vanity and the freestanding vanity drawers are equipped with a BLUM slow-closing ball-bearing system. If the vanity is not perfectly level, the Blum system will not be functional.

When you are ready to install the cabinet, apply a General Purpose Silicone Sealant before placing the vanity or the storage or mirrored cabinet on it. **See diagram #5.**



VANITY INSTALLATION

In addition to the WOODEN Z-CLIP system, the wall-mounted and the freestanding vanities must be attached to the back wall. Pre-drill pilot holes to accommodate 4" long #10 wooden screws. From inside the vanity, screw the unit every 3" to the back wall. **See diagram #6.**



LAVATORY INSTALLATION

1. For the Tap drilling, please refer to the Tap Drilling Instructions
2. Before installing the lavatory on the vanity, place 3M MOUNTING TAPE (ref #110C) at 1/16" from the border under the lavatory perimeter.
3. Place the lavatory on the vanity and press down to make sure there is good adhesion between the 2 surfaces.
4. Connect all the final plumbing. Hook up the water to the valve.

VESSEL SINK INSTALLATION

1. Protect the entire surface/countertop around the vessel sink with masking tape.
2. Using a 1/2" drill, drill holes at the ends of the inside edges of the tracing.
3. Use a jigsaw to cut around the tracing in order to complete the desired opening.
4. Tap drilling: follow faucet manufacturer instruction.
5. Apply a thin layer of silicone underneath the vessel sink and press down to make sure there is good adhesion between the 2 surfaces.
6. Remove the excess masking tape.

DRAWER INSTALLATION

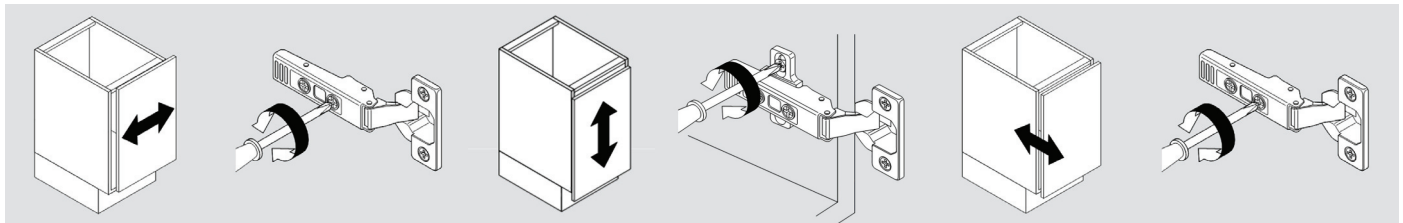
1. Clean the slides and make sure there is no dust that could interfere with the BLUM slow-closing system.
2. Pull the drawer slides out to full extension. **Refer to image #1.**
3. Align the drawer onto the drawer slides.
4. Firmly hold the drawer open with one hand so that it remains fully extended.

5. Slide each clip tab toward the front of the drawer until it clicks into place. **Refer to image #2.**
6. Close the drawer.

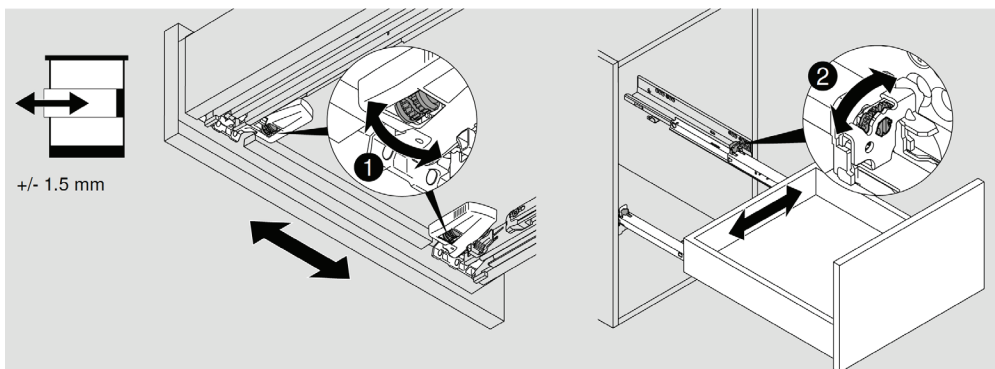
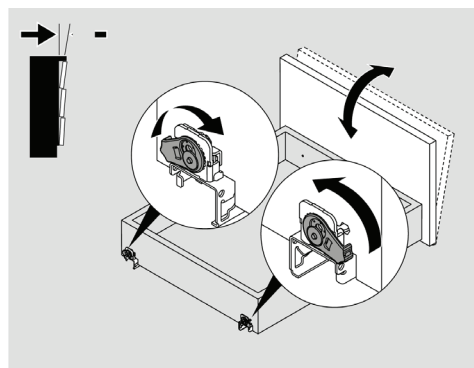
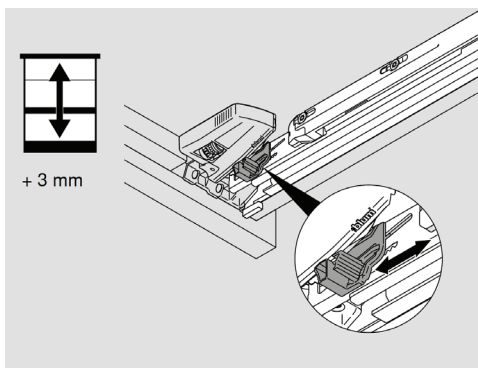


HINGE ADJUSTMENT (for mirrored cabinet and linen cabinet)

Use a Philipps screwdriver to adjust each hinge screw.



VANITY DRAWER ADJUSTMENT



CLEANING GUIDE

WETSTYLE Furniture is ultra-easy to clean: after each use, simply wipe with a soft cloth to remove any surface dirt. Do not leave water standing on the surface.

For standard cleaning, we recommend using warm water with vinegar. Do not use abrasive products or cream cleaners.

Never use petroleum-based products when cleaning, i.e. paint thinners or other solvents, as they may damage the wood surface.

WARRANTY

The warranty on WETSTYLE products covers all defects in materials and manufacturing for a period of one year from the date on which the owner originally purchased the product directly from WETSTYLE or from an authorized retailer. This warranty is valid for the original owner only. This warranty does not apply to cases in which a product was incorrectly installed, or to damage due to negligence, misuse, cigarettes, flames, natural disasters or other accidents.

WETSTYLE is not responsible for any fees or recovery charges that may have been generated by the purchase of a product that is not adequate for an existing building structure.

At the discretion of the manufacturer, the guarantee is limited to the repair or replacement (of a product of equal or greater value) at the condition that the claim is made during the guarantee period to an authorized dealer or directly to WETSTYLE. The handling fees and all other charges related to the product replacement are not covered by the guarantee.



www.WETSTYLE.CA - Montreal - Canada
Tel. 450.536.9000 - 1 888.536.9001 - Fax. 450.536.0202