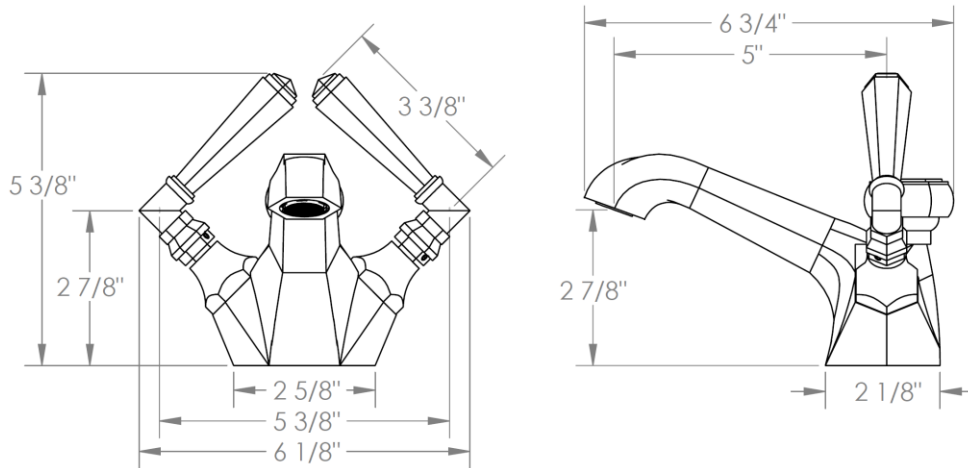
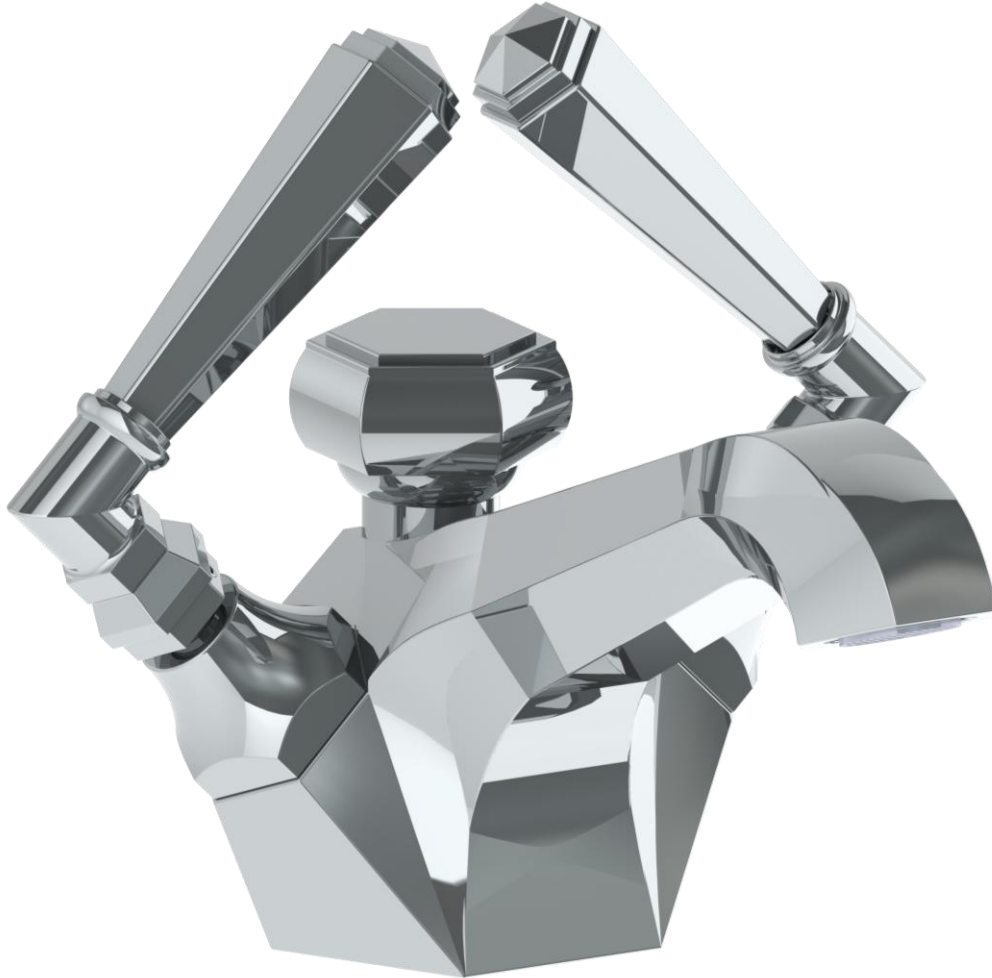


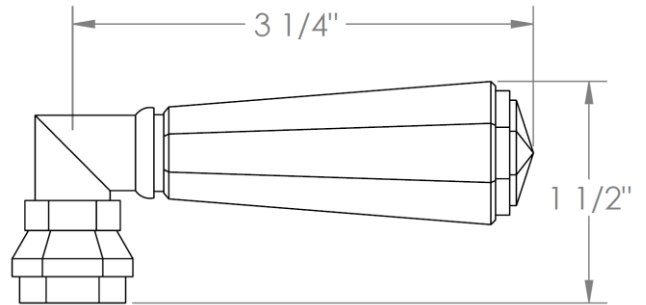
**314-1-**  
Deck Mounted 2 Handle Lavatory Monoblock  
Includes MPU7 pop-up drain  
Flow Rate: 1.2 GPM



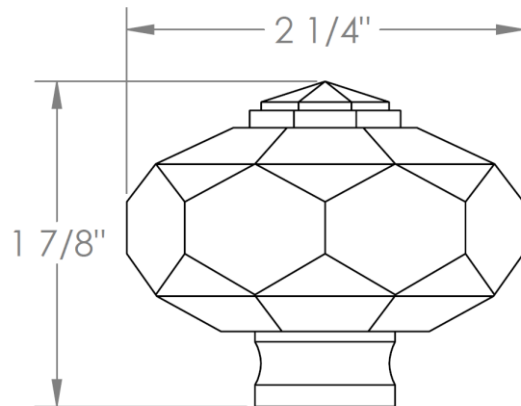
Meets the applicable requirements of ASME A112.18.1-2005/CSA B125.1-05, entitled "Plumbing Supply Fittings"

**HANDLE TRIM OPTIONS**

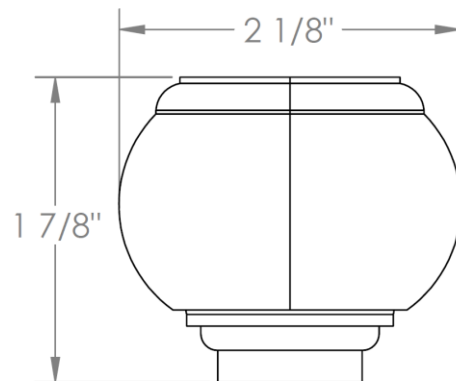
**CRY4 – ROOSEVELT**



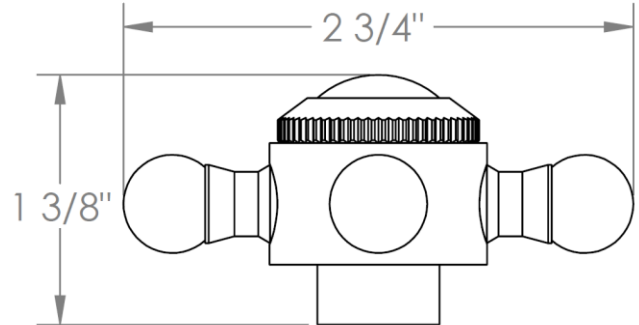
**CRY5 – MARMONT**



**T6 – NEWTON**



XX – SHETFIELD



YY – NEWPORT

