

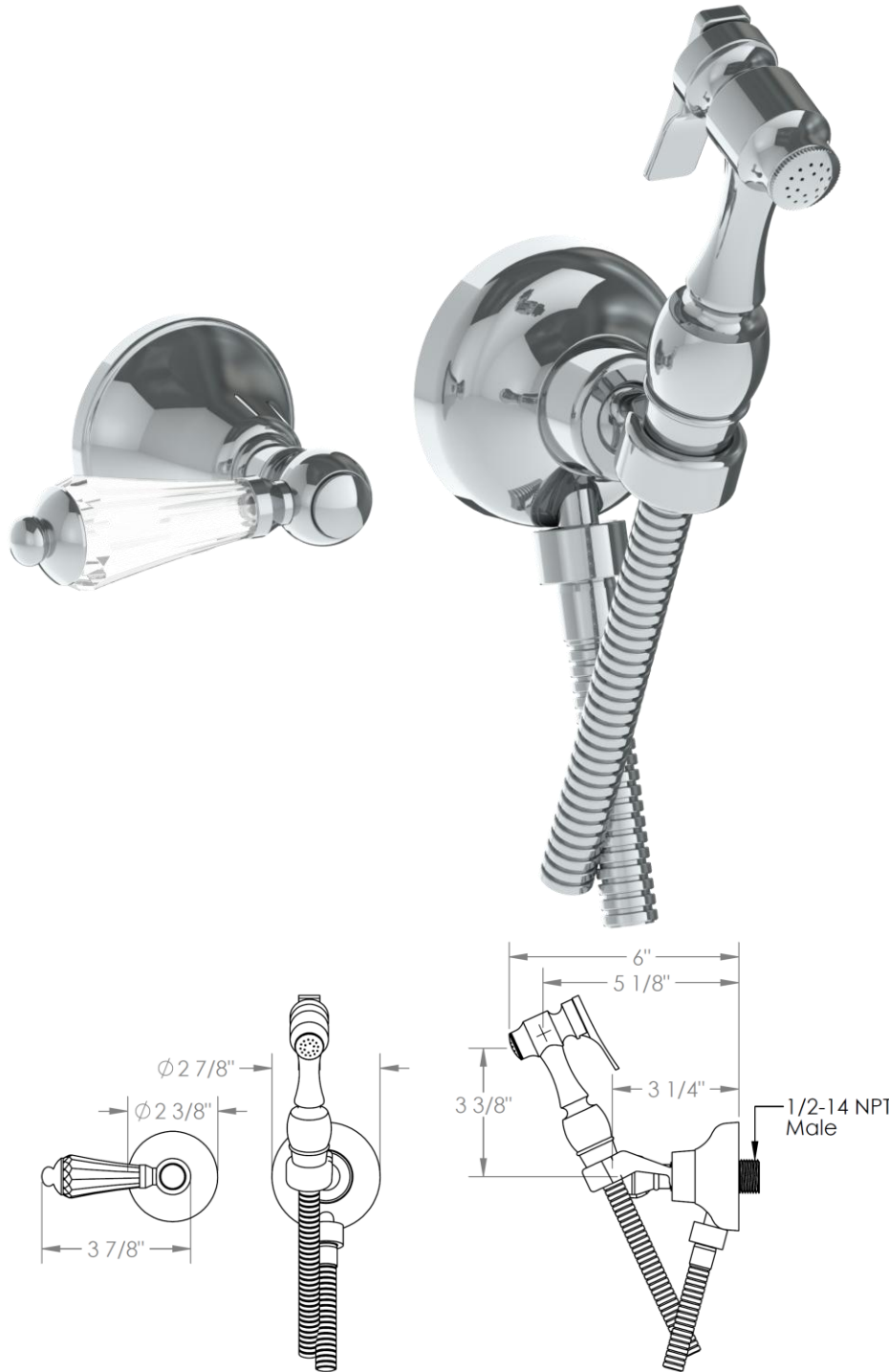
313-4.4-__

Wall Mounted Bidet Spray Set

Includes Progressive Mixer and 49" hose

Requires SS-SHV1.2 concealed rough

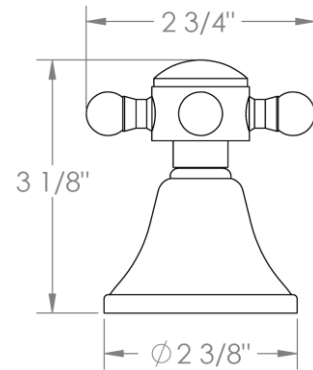
Note: Some building codes may require backflow preventers installed in the supply lines



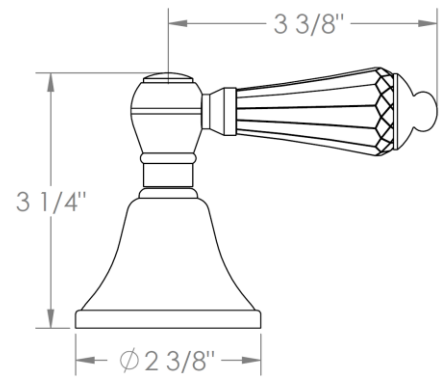
Meets the applicable requirements of ASME A112.18.1-2005/CSA B125.1-05, entitled "Plumbing Supply Fittings"

HANDLE TRIM OPTIONS

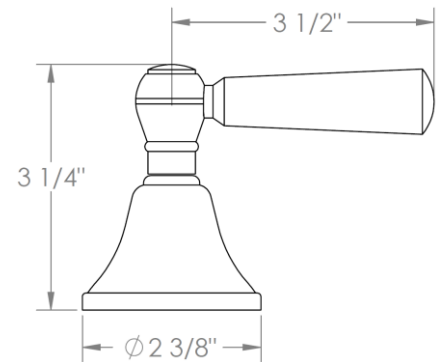
AX – LOS ANGELES



SW – SAN FRANCISCO



WW – BOSTON



Y2 – WILLIAMS

