

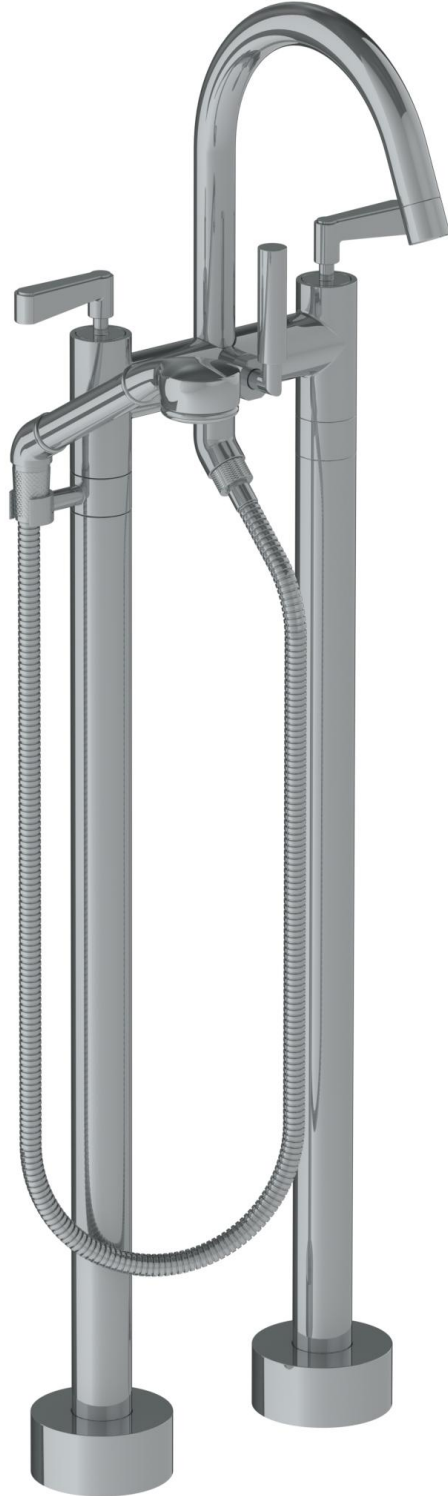
**30-8.3-TR24**

Floor Mounted Tub Group with Hand Shower

8 GPM @ 45 PSI (Tub)

2.5 GPM @ 45 PSI (Hand Shower)

Note: Some building codes require remote pressure balance valves for anti-scald



Meets the applicable requirements of ASME A112.18.1-2005/CSA B125.1-05, entitled "Plumbing Supply Fittings"

**WATERMARK DESIGNS 12/5/2014**

350 Dewitt Ave Brooklyn NY 11207 USA T 718 257 2800 F 718 257 2144 info@watermark-designs.com

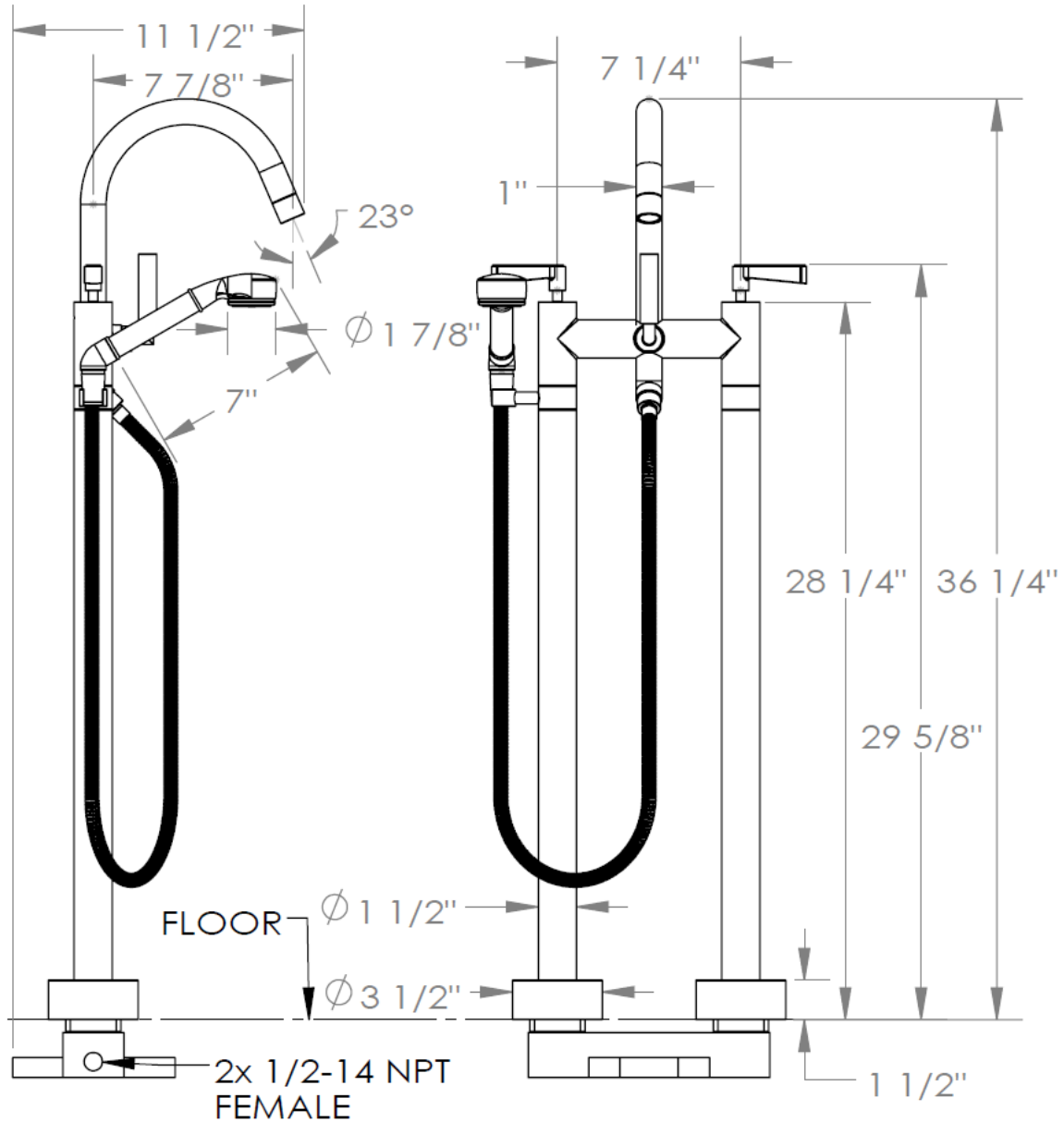
**30-8.3-TR24**

Floor Mounted Tub Group with Hand Shower

8 GPM @ 45 PSI (Tub)

2.5 GPM @ 45 PSI (Hand Shower)

Note: Some building codes require remote pressure balance valves for anti-scald



Meets the applicable requirements of ASME A112.18.1-2005/CSA B125.1-05, entitled "Plumbing Supply Fittings"

**WATERMARK DESIGNS 12/5/2014**

350 Dewitt Ave Brooklyn NY 11207 USA T 718 257 2800 F 718 257 2144 info@watermark-designs.com