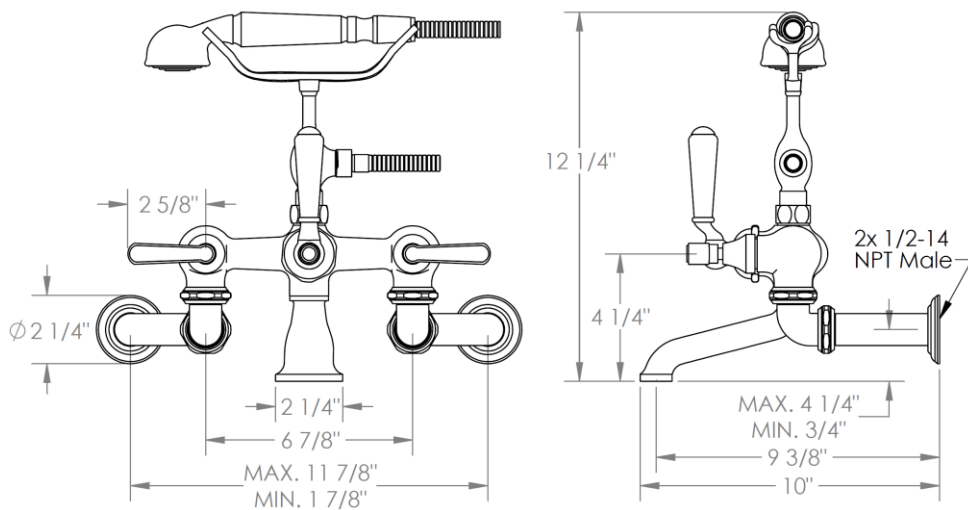


**29-5.2-**

Wall Mounted Exposed Bath Set with Hand Shower

Hand Shower Flow Rate: 1.75 GPM

Note: Some building codes require remote pressure balance valves for anti-scald



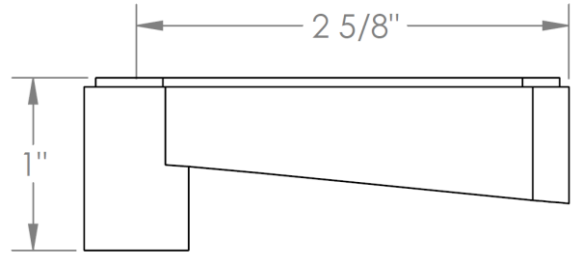
Meets the applicable requirements of ASME A112.18.1-2005/CSA B125.1-05, entitled "Plumbing Supply Fittings"

**WATERMARK DESIGNS**

**2/8/2019**

HANDLE TRIM OPTIONS

TR14 – BEEKMAN



TR15 - GOTHAM

