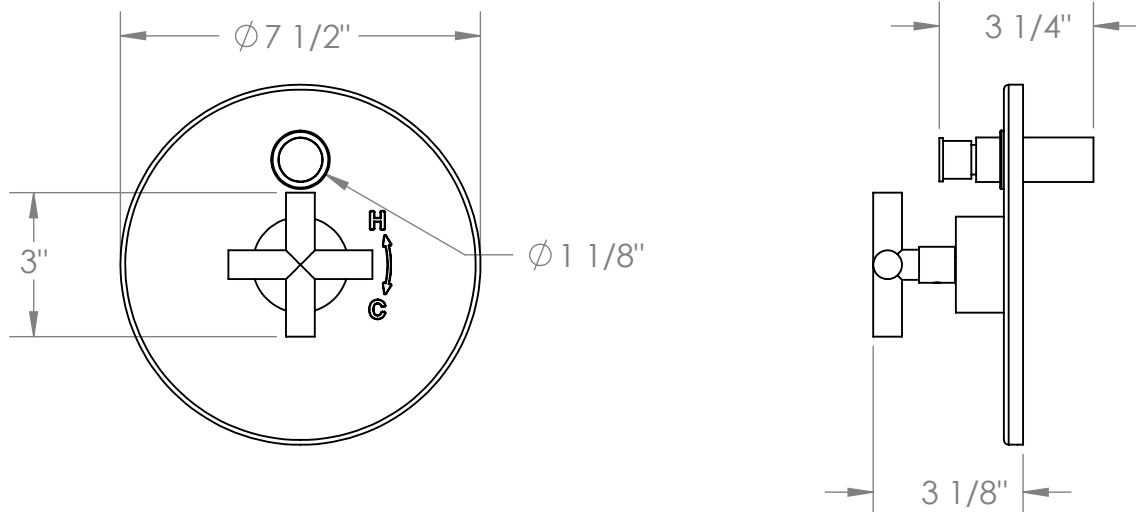
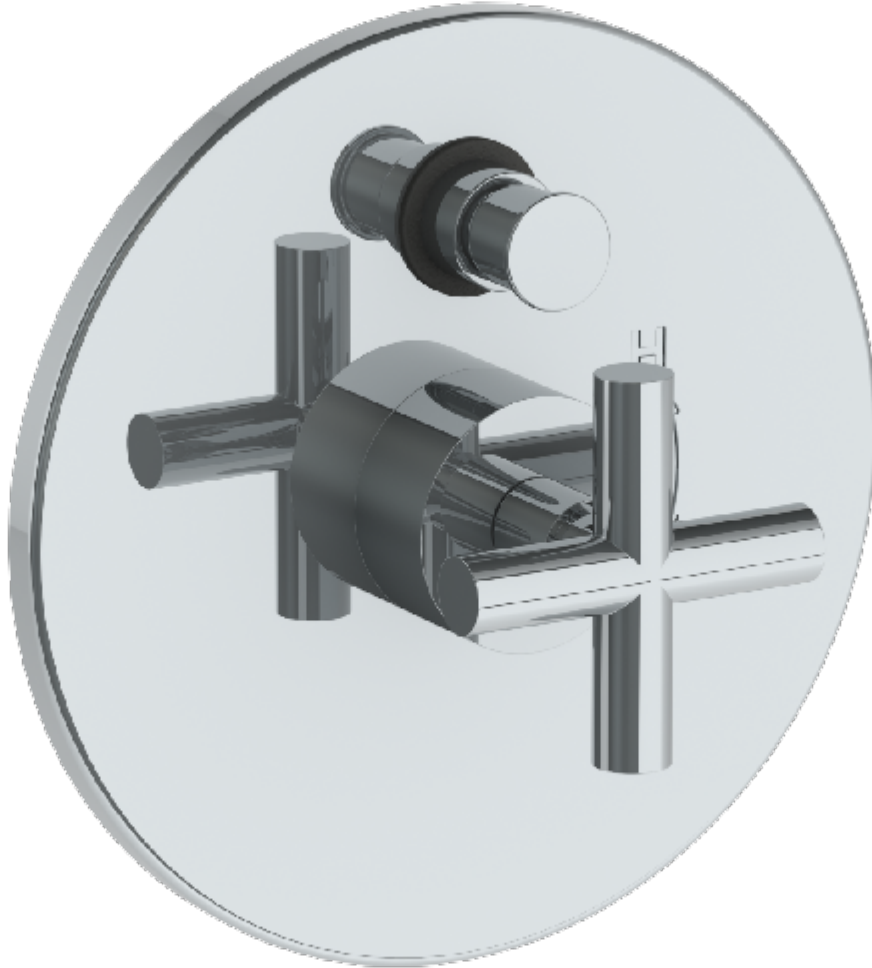


23-P90-L9

Trim Kit for Pressure Balance Valve with Diverter

Requires SS-PB85 Pressure Balance Valve



Meets the applicable requirements of ASME A12.18.1-2005/CSA B125.1-05, entitled "Plumbing Supply Fittings"

WATERMARK DESIGNS 2/18/2021

350 Dewitt Ave Brooklyn NY 11207 USA T 718 257 2800 F 718 257 2144 info@watermark-designs.com