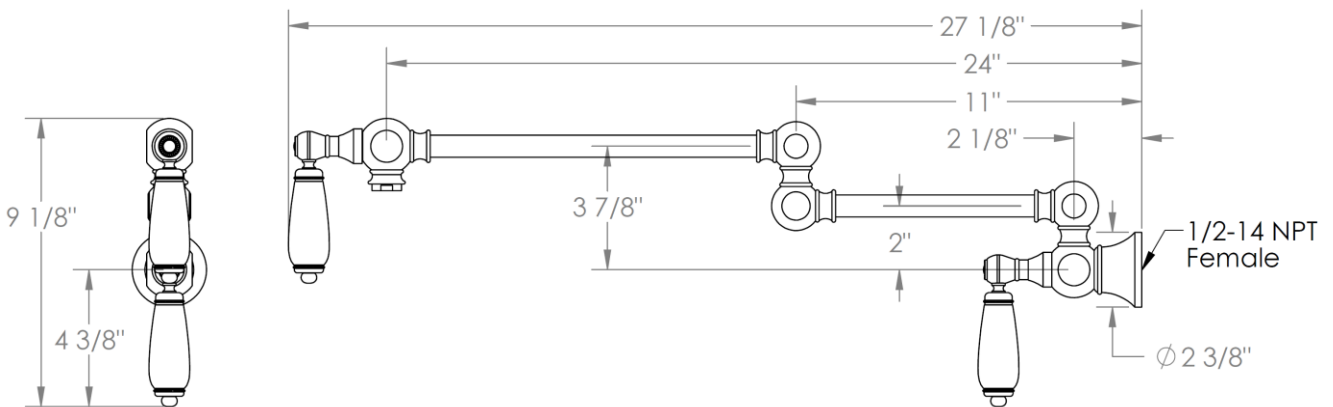


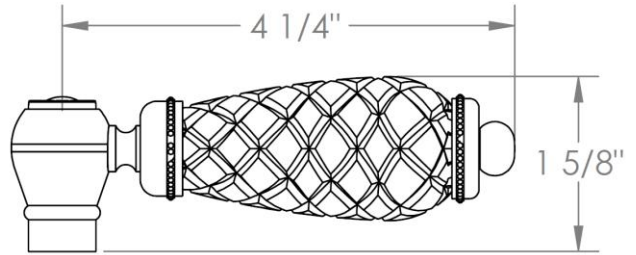
180-7.8-__
Wall Mounted Pot Filler



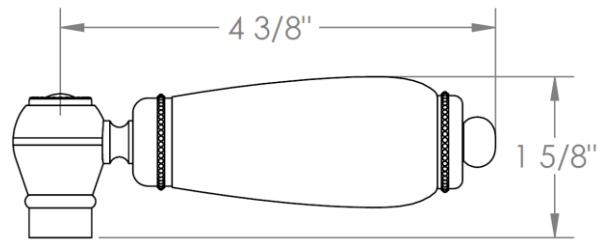
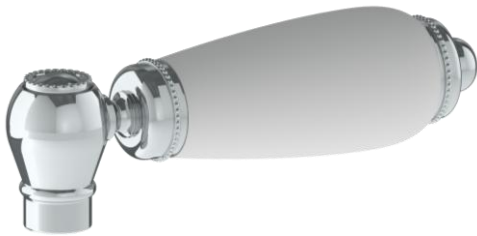
Meets the applicable requirements of ASME A112.18.1-2005/CSA B125.1-05, entitled "Plumbing Supply Fittings"

HANDLE TRIM OPTIONS

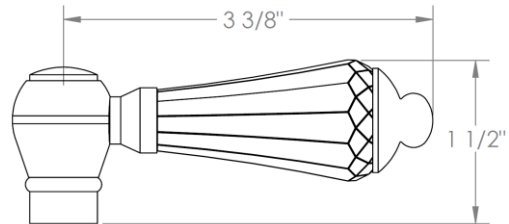
AA - VENICE
BB - GENOA



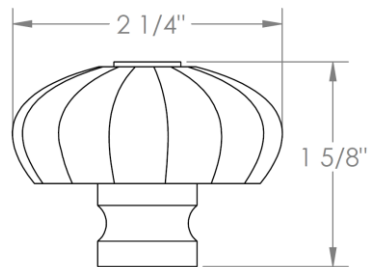
CC - POMPEI
DD - NAPLES



SWU - FLORENCE



T - TUSCANY



U - BOLOGNA

