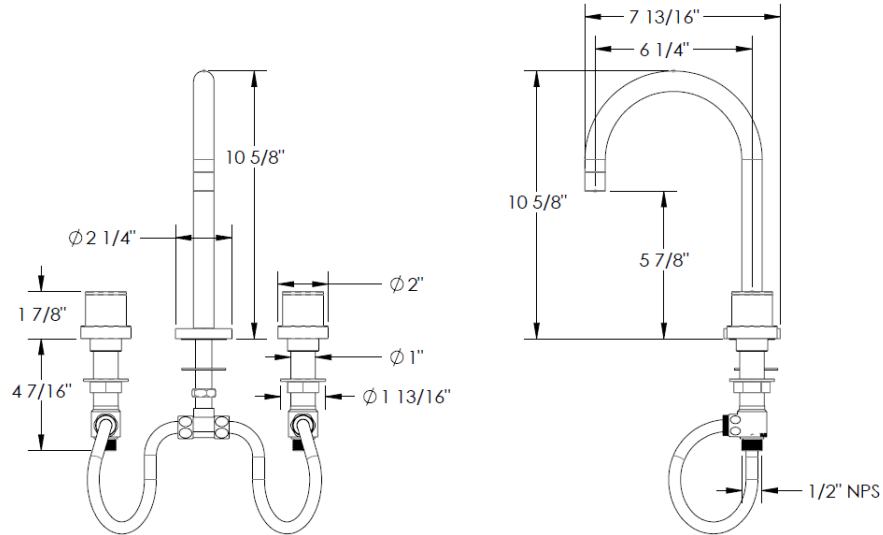


FEATURES

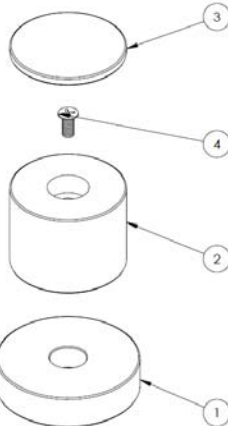
- ¼ turn washerless ceramic disc valve cartridges
- Flexible hose connection for 8" to 16" spread installations
- Flow rate 1.5 gpm (5.7 lpm) maximum flow rate
- Solid brass construction
- Listed by IAPMO, CSA, NSF, and other municipalities
- Warranty:
 - Limited lifetime warranty (residential use)
 - One year (commercial use)
- Shipping weight (lbs.) 10
- Shipping dimensions (in.): 29x12x4



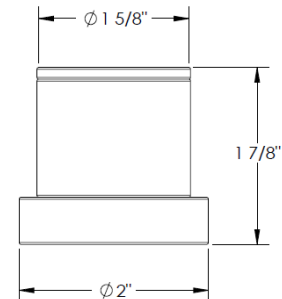
ITEM NO.	PART NUMBER	QTY.
1	22-2-SPOUT	1
2	22-2-1.8IN GASKET	1
3	142-LOCK-NUT	1
5	142-TEE-GSKT	1
6	142-TEE	1
7	142-HRS-SHOE-WSHR	1
8	22-2-AERTR-SHLL	1
10	NEOPERL PCA PL TT	1
11	502 FLEX HOSE	2
13	142-LOCK-NUT	2
14H/14C	SS-502 Valve Body	2
15H/15C	SS-502 Cartridge	2
24	L4-TOP-LOCK-NUT	2

HANDLE TRIMS

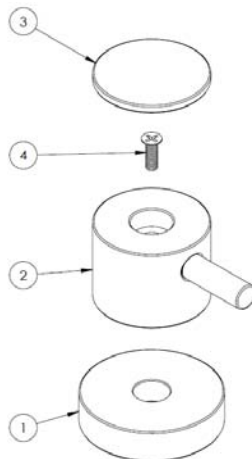
Diamond Knurl (Code: TIA)



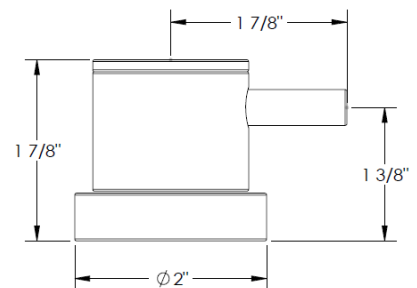
ITEM NO.	PART NUMBER	QTY.
1	L4-ESC	1
2	TIA-KNOB	1
3	TIA-CAP	1
4	CR-FHM1 0.164-32x0.375x0.375-S	1



Smooth Lever (Code: TIB)



ITEM NO.	PART NUMBER	QTY.
1	L4-ESC	1
2	TIB-KNOB	1
3	TIB-CAP	1
4	CR-FHM1 0.164-32x0.5x0.5-S	1



IMPORTANT INSTALLATION INFORMATION

- USE TEFLON TAPE OR PIPE SEALANT FOR THREADED CONNECTIONS
- DO NOT USE PLUMBER'S PUTTY ON ANY OF THE BRASS COMPONENTS
This will cause the finish to tarnish and void the warranty. A non-corrosive Alkoxy Silicone is recommended.
- DURING SWEATING OF LINES DO NOT OVERHEAT CASTING
Overheating may cause damage to internal mechanism
- COPPER ADAPTORS MAY BE REQUIRED TO COMPLETE YOUR INSTALLATION

For technical support, please call 718-257-2800

Rev. 1/1