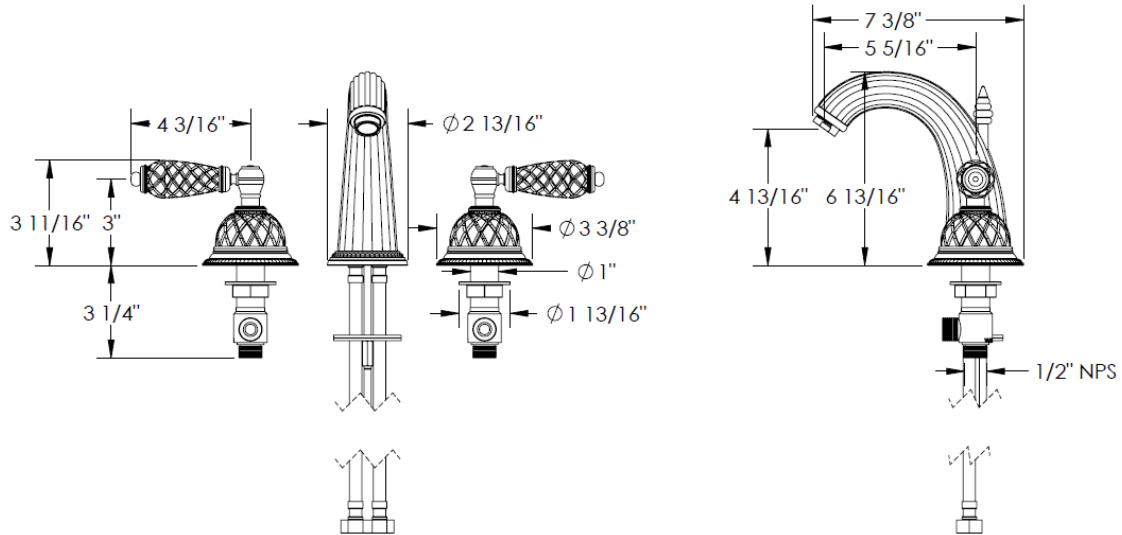


### FEATURES

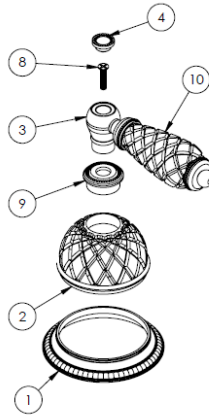
- ¼ turn washerless ceramic disc valve cartridges
- Flexible hose connection for 8" to 16" spread installations
- Flow rate 1.5 gpm (5.7 lpm) maximum flow rate
- Solid brass construction
- Listed by IAPMO, CSA, NSF, and other municipalities
- Warranty:
  - Limited lifetime warranty (residential use)
  - One year (commercial use)
- Shipping weight (lbs.) 10
- Shipping dimensions (in.): 29x12x4



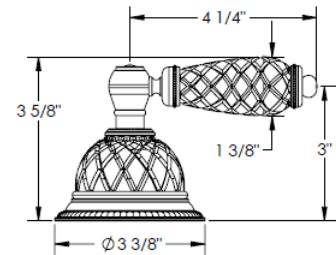
ITEM NO.	PART NUMBER	QTY.
1	180-2-SPT	1
3	502-AERTR-SHLL	1
4	180-2-BASE-RING	1
6	NEOPERL PCA PL STD	1
7	501-LIFT-ROD	1
8	142-LOCK-NUT	4
9H/9C	SS-502 Valve Body	2
10H/10C	SS-502 Cartridge	2
11	SPT-MNTNG-KIT-1-SCRW	1
12	SPT-MNTNG-KIT-1-WSHR	1
13	SPT-MNTNG-KIT-1-RBBR-WSHR	1
14	SPT-MNTNG-KIT-1-NUT	1
15	SPPLY-HOSE-0.5-14-NPS	2

### HANDLE TRIMS

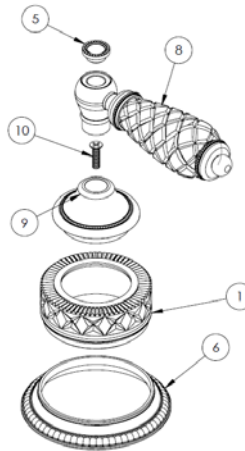
#### Venice (Code: AA)



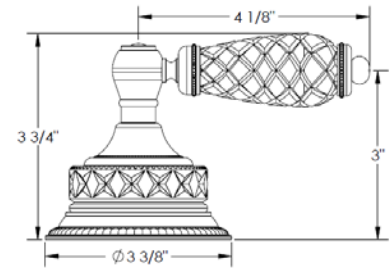
ITEM NO.	PART NUMBER	QTY.
1	AA-ESC-RING	1
2	AA-CRSTL-ESC	1
3	A-POST	1
4	AA-POST-CAP	1
8	CR-FHMS 0.164-32x0.75x0.75-S	1
9	AA-ESC-NUT	1
10	AA-CRSTL-LVR-INSRT	1



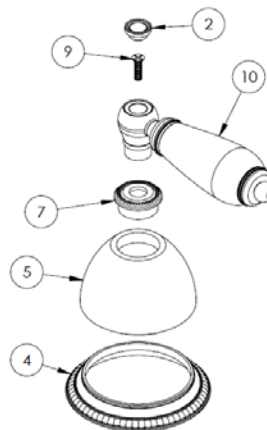
#### Genoa (Code: BB)



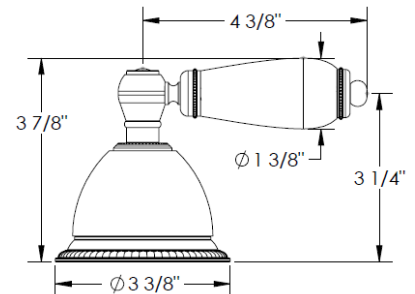
ITEM NO.	PART NUMBER	QTY.
1	BB-CRSTL-ESC	1
5	AA-POST-CAP	1
6	AA-ESC-RING	1
8	AA-CRSTL-LVR-INSRT	1
9	BB-ESC-NUT	1
10	CR-FHMS 0.164-32x0.625x0.625-S	1



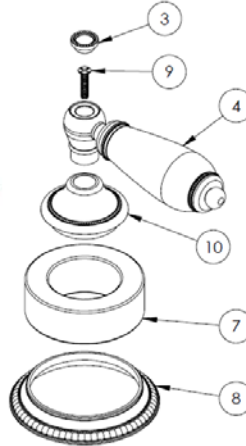
#### Pompeii (Code: CC)



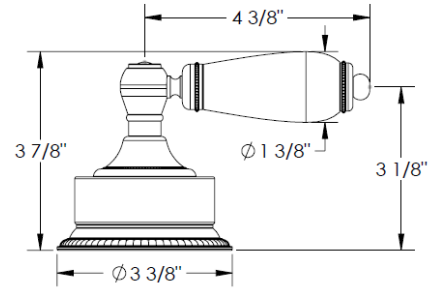
ITEM NO.	PART NUMBER	QTY.
2	AA-POST-CAP	1
4	AA-ESC-RING	1
5	CC-MRBL-ESC-(BLK/WHT/GRY)	1
7	AA-ESC-NUT	1
9	CR-FHMS 0.164-32x0.625x0.625-S	1
10	CC-MRBL-LVR-INSRT-(BLK/WHT/GRY)	1



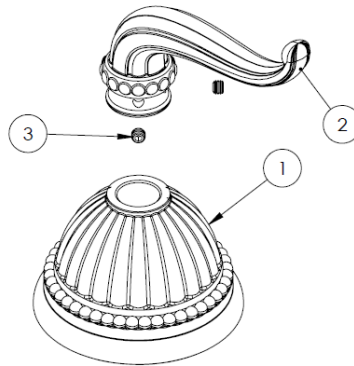
### Naples (Code: DD)



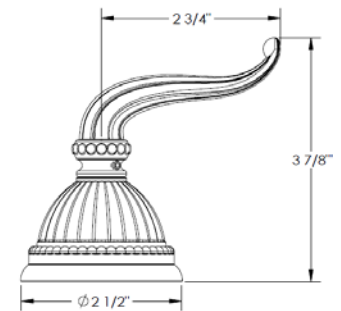
ITEM NO.	PART NUMBER	QTY.
3	AA-POST-CAP	1
4	CC-MRBL-LVR-INSRT-(BLCK/WHT/GRY)	1
7	DD-MRBL-ESC-(BLCK/WHT/GRY)	1
8	AA-ESC-RING	1
9	CR-FHMS 0.164-32x0.75x0.75-S	1
10	BB-ESC-NUT	1



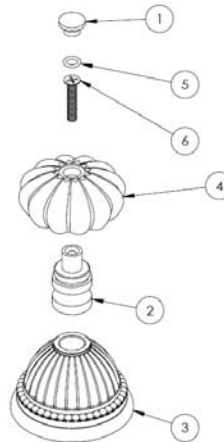
### Rimini (Code: S)



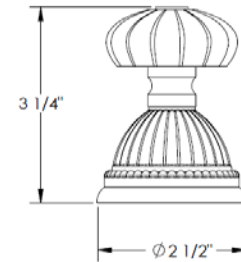
ITEM NO.	PART NUMBER	QTY.
1	S-ESC	1
2	S-LVR	1
3	SSCUPSKT 0.164-32x0.125-HX-S	2



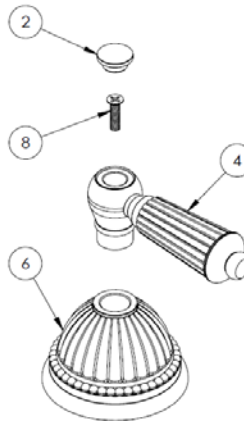
### Bologna (Code: T)



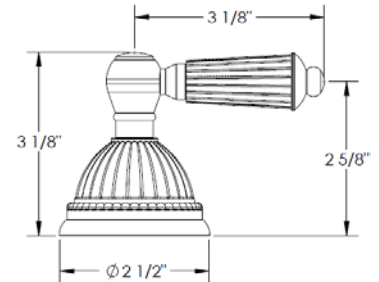
ITEM NO.	PART NUMBER	QTY.
1	H-CAP	1
2	H-POST	1
3	S-ESC	1
4	T-KNOB	1
5	AS568 - 010	1
6	CR-FHM1 0.19-32x1x1-S	1



### Tuscany (Code: U)



ITEM NO.	PART NUMBER	QTY.
2	A-POST-CAP	1
4	U-LVR-INSRT	1
6	S-ESC	1
8	CR-FHM1 0.164-32x0.625x0.625-S	1



#### **IMPORTANT INSTALLATION INFORMATION**

- USE TEFLON TAPE OR PIPE SEALANT FOR THREADED CONNECTIONS
- DO NOT USE PLUMBER'S PUTTY ON ANY OF THE BRASS COMPONENTS  
This will cause the finish to tarnish and void the warranty. A non-corrosive Alkoxy Silicone is recommended.
- DURING SWEATING OF LINES DO NOT OVERHEAT CASTING  
Overheating may cause damage to internal mechanism
- COPPER ADAPTORS MAY BE REQUIRED TO COMPLETE YOUR INSTALLATION

**For technical support, please call 718-257-2800**

Rev. 1/1