

TOTO®

MS920CEMFG

Washlet® G400 with Integrated Toilet, 1.28GPF/0.9 GPF

FEATURES

- 3D Tornado Flush™ system, high-efficiency (1.28GPF/4.8LPF and 0.9GPF/3.4LPF)
- CeFiONtect™ ceramic glaze minimizes debris and mold from sticking to porous, ceramic surfaces
- Universal Height
- Skirted design
- Elongated front bowl
- 12" Rough-In
- Auto open/close lid, auto flush
- Multifunction remote control, with illuminated touch pad
- Heated seat with temperature control
- Water Premist™ of bowl before each use
- Adjustable spray position
- Washlet with three wash modes (front, rear, soft)
- Oscillating and pulsating comfort washing
- Energy saver timer
- Built-in air purifying system

COMPONENTS

- SN920M - Top Unit
- CT920CEMFG - Bowl Unit

COLORS/FINISHES

- #01 Cotton
- #12 Sedona Biege

PRODUCT SPECIFICATION

The Washlet G400 with the 3D Tornado Flush system toilet shall be 1.28GPF/4.8LPF. Toilet shall have CeFiONtect ceramic glaze. Toilet shall be of skirted design, elongated front bowl with auto open and close seat. Toilet shall be **TOTO Model MS920CEMFG_____**.



 3D Tornado Flush

 CeFiONtect

 Washlet

 Premist

CODES/STANDARDS

- Meets and exceeds ASME A112.4.2, ASME A112.19.2/CSA B45.1, ASME A112.18.1/CSA B125.1, UL 1431, CSA C22.2 # 68
- Certifications: IAPMO(cUPC), State of Massachusetts, City of Los Angeles and others
- Code Compliance: UPC, IPC, NSPC, and others
- ADA compliant



CALGreen

MS920CEMFG

Washlet G400 with Integrated Toilet, 1.28GPF and 0.9 GPF

SPECIFICATIONS

Water Use: 1.28 GPF/4.8 LPF
& 0.9 GPF/3.4 LPF

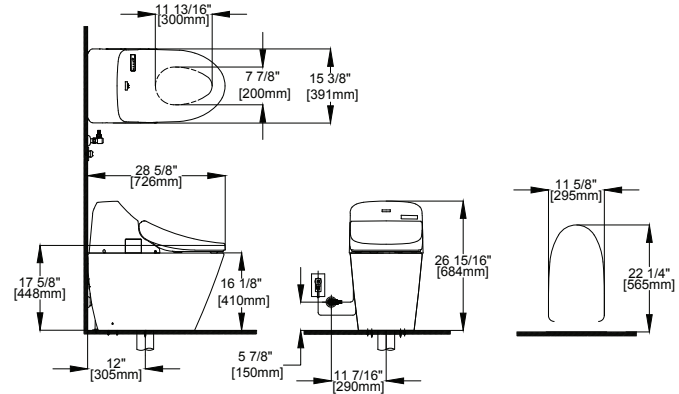
Flush System: 3D Tornado Flush

Water Pressure: Min 7.25 PSI (0.05MPa)
Flowing
Max 108.75PSI (0.75MPa) static

Water Surface: 5-3/8" (137 mm) x 4-3/16" (106 mm)

Trap Diameter: 2-3/4" (70 mm)

Rough In: 12" rough in
Warning: If there is a base board in the restroom, the center of the floor drain should be a minimum of 12" from the base board.



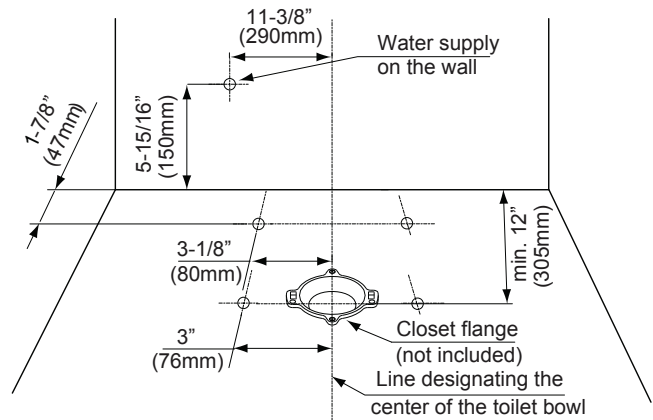
Trap Seal: 2-1/8" (54 mm)

Warranty: Three Year Limited (Residential)
One Year Limited (Commercial)

Material: Bowl: Vitreous china
Seat and cover: Plastic

Shipping Weight: Top Unit - SN920M 17.6lbs
Elongated Bowl Unit - CT920CEMFG 106lbs

Shipping Dimensions: SN920M - 20-5/8" x 34-13/16" x 8-13/16"
CT920CEMFG - 18-13/16" x 33-1/4" x 24-7/8"



SPECIFIC	Power Rating	120V AC, 60Hz, 409W	Capacity of Air: 10.24ft ³ /min (approx. 0.29m ³ /min)
	Power Cord	Maximum length: 3.94ft (120cm)	
Water Feature	Water Feature	Adjustable Water Flow Rate Rear washing: from 9.1 to 14.5 oz/min. Soft washing: from 9.1 to 14.5 oz/min. Front washing: from 9.8oz/min to 14.5oz/min	Seat Warming Feature
		Temperature of Washing Spray Minimum: 86° F/30° C Maximum: 104° F/40° C	Safety Feature: Thermal fuse Surface Temperature: Minimum: 82°F (28°C) Maximum: 97° F/36° C
		Safety Features: Thermal fuse, overheat shutoff switch, (bimetal automatic return type), anti-idling float switch	Seat Heater Capacity: 50W
Drying Feature		Air Temperature: High: About 140°F (60°C) Low: About 95°F (35°C)	Air Purifying Feature
			Safety Feature: Thermal fuse Method: O ₂ Deodorizer Air Volume: 5.7 ft ³ /min
			Ambient Temperature Range
			32°F (0°C) to 104°F (40°C)
			Size
			15 3/8" x 28 5/8" x 26 15/16"
			Weight
			Net: 102 lbs.



These dimensions and specifications are subject to change without notice