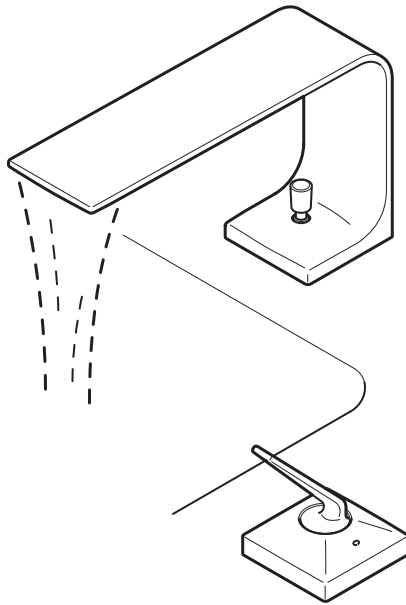


Installation and Owner's Manual
Manual de instalación y del propietario
Manuel d'installation et d'utilisation
Manual de Instalação e do Proprietário

TOTO

Single Handle Lavatory Faucet
Grifo de Lavabo de Una Manija
Robinet de Lavabo à une Manette
Faucet de Alça Única com Balcão de Banheiro



ZL
TLP02301U
TLP02304U
TLP02307U

Warranty Registration and Inquiry

For product warranty registration, TOTO U.S.A. Inc. recommends online warranty registration. Please visit our web site <http://www.totousa.com>. If you have questions regarding warranty policy or coverage, please contact TOTO U.S.A. Inc., Customer Service Department, 1155 Southern Road, Morrow, GA 30260 (888) 295-8134 or (678) 466-1300 when calling from outside of U.S.A.

TABLE OF CONTENTS

Thanks for Choosing TOTO!.....	2	Installation Procedure.....	4
Warnings.....	2	Care and Cleaning.....	8
Before Installation.....	2	Maintenance.....	9
Included Parts.....	3	Warranty.....	12
Tools You Will Need.....	3	Rough-In Dimensions.....	46
Specifications.....	3		

THANK YOU FOR CHOOSING TOTO!

The mission of TOTO is to provide the world with healthy, hygienic and more comfortable lifestyles. We design every product with the balance of form and function as a guiding principle. Congratulations on your choice.

WARNINGS

For safe operation of the faucet, please observe the following:

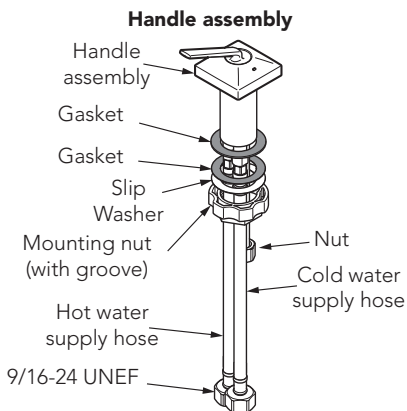
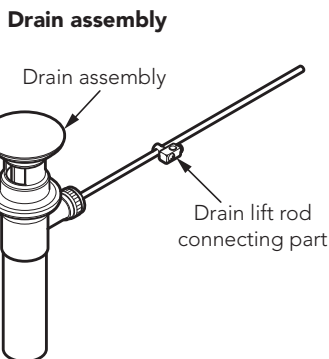
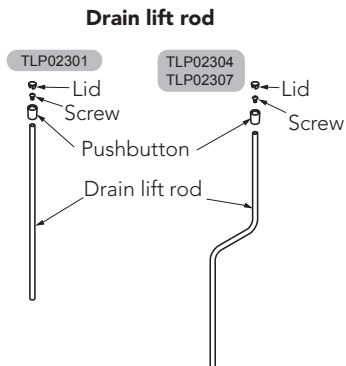
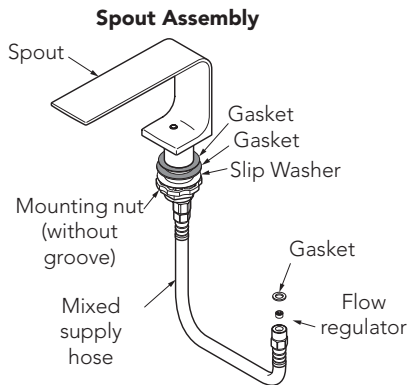
- Operating Pressure:
 - Minimum Pressure.....20 psi (138 kPa), dynamic
 - Maximum Pressure.....80 psi (551 kPa), static
- Do not use the product at an ambient temperature below 32° F (0° C)

BEFORE INSTALLATION

- Observe all local plumbing codes.
- Before installing the faucet, be sure to thoroughly flush the supply pipes of dirt and debris.
- Make sure the water supply is shut off at the stop valve.
- Read these instructions carefully to ensure proper installation.
- TOTO reserves the right to update product design without notice.

INCLUDED PARTS

Check to make sure you have the following parts indicated below:



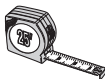
TOOLS YOU WILL NEED



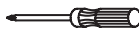
Adjustable Wrench



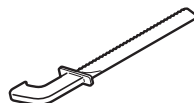
Level



Tape Measure



Phillips Screwdriver



Hacksaw

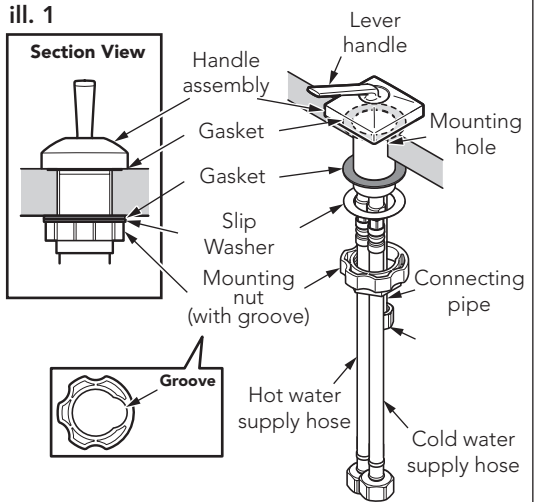
SPECIFICATIONS

Water Supply Pressure	Minimum required: 20 psi (138 kPa) (Flowing)
	Maximum allowed: 80 psi (551 kPa)
Water Supply Connection	3/8 Comp
Ambient Temperature	32~104°F (0~40°C)
Humidity	Max. 90% RH
Flow Rate	Maximum 1.2 gallon/min (4.5 L/min)

1. Mount the handle assembly.

- (1) Insert the HOT/COLD water supply hoses into the mounting hole.
- (2) Pass the HOT/COLD water supply hoses through the gasket, the slip washer and the mounting nut (with groove) one by one. Then, pass the nut of the connecting pipe through the groove and secure the handle assembly. (ill. 1)

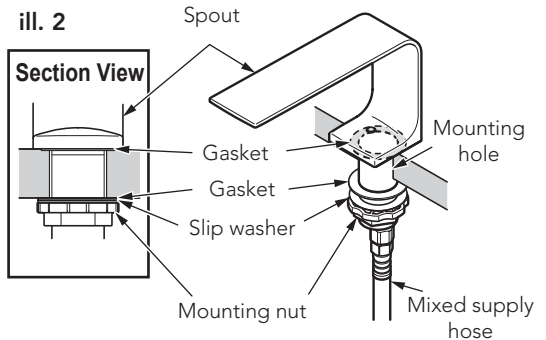
IMPORTANT: Align the shaft position so that the handle assembly comes to the center of the mounting hole.



- (3) Connect the hoses to the supply lines. The left hose (marked with red band) connects to the hot water supply. The right hose connects to the cold water supply. Tighten with wrench as needed.

2. Mounting the spout assembly.

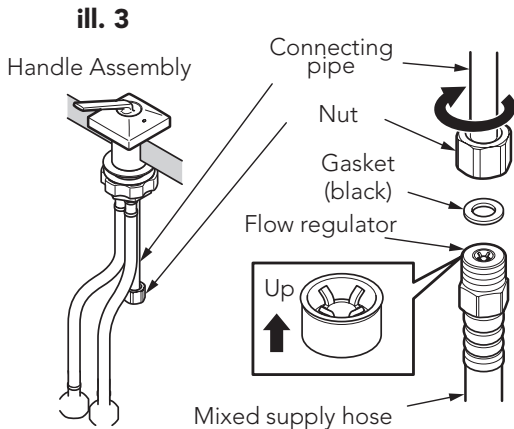
- (1) Set the gasket, the slip washer and the mounting nut (without groove) on the spout and secure the spout. (ill.2)



IMPORTANT: Align the spout so that it comes out the center of the mounting hole.

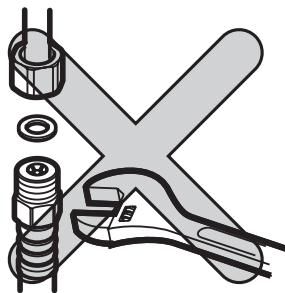
3. Connection of the mixed supply hose.

(1) Turn the nut of the connecting pipe and connect the mixed supply hose. (ill. 3)



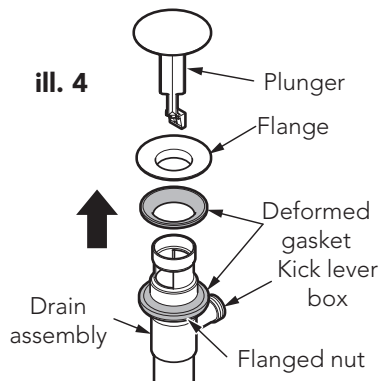
Never turn the nut on the mixed supply hose side.

The hose may twist and cause water to leak.



4. Install drain assembly.

(1) Remove the plunger, flange and gasket from the drain assembly by unfastening the flange and pulling these parts from the drain. (ill. 4)



INSTALLATION PROCEDURE

ENGLISH

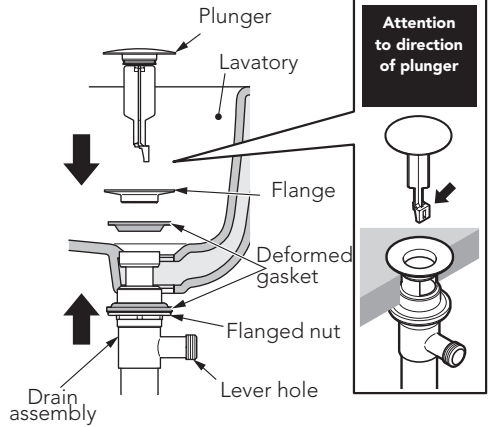
(2) Insert the drain body up through the drain hole from below the lavatory. If necessary, turn the nut and push the washer and gasket (thick) down to allow for clearance.

While holding the drain body in place, fasten the flange to the drain body from the top. Ensure that the gasket is between the flange and the lavatory as shown. Once the flange is fully seated, turn the nut below the lavatory up until a good seal is formed. Do not overtighten!

(ill. 5)

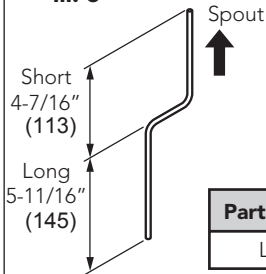
Reinsert the plunger if needed.

ill. 5

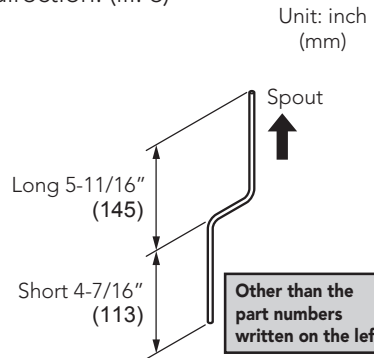


(3) Mount the drain lift rod in the proper direction. (ill. 6)

ill. 6



Part number of the lavatory	
LT475	LT476



Unit: inch
(mm)

INSTALLATION PROCEDURE

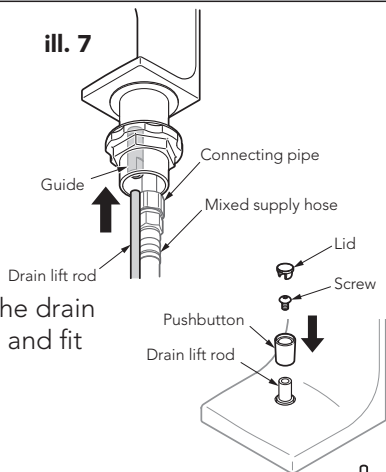
ENGLISH

(4) Install drain assembly (continued)

(a) Insert the drain lift rod into the guide from below the spout body.

(b) Mount the pushbutton, screw and lid on the drain lift rod in that order. (ill. 7)

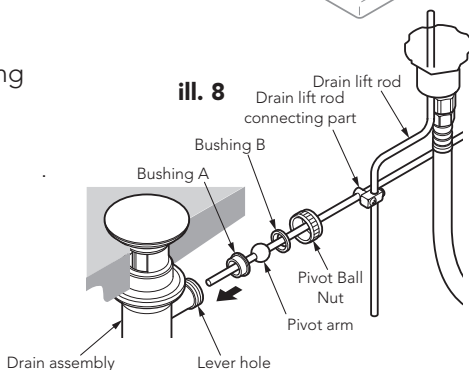
ill. 7



(c) Fit bushing B, the pivot ball nut and the drain lift rod connecting part on the pivot arm and fit bushing A on the drain assembly.

(d) After passing the drain lift rod through the drain lift rod connecting part, pass the pivot arm through the hole of the plunger of the lever hole and secure it with the pivot ball nut. (ill. 8)

ill. 8

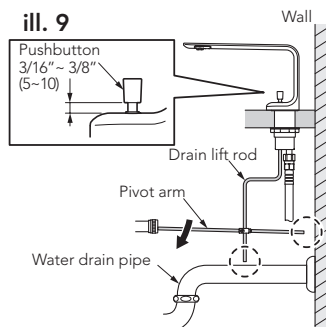


5. Connect the drain assembly.

(1) Adjust the position of the drain lift rod so that the clearance between the spout and the pushbutton is 3/16" - 3/8" (5~10mm).

(2) Lower the pivot arm to the lowest position in the condition described in part (a), secure the screw of the drain lift rod connecting part to anchor the pivot arm and the drain lift rod. (ill. 9)

ill. 9

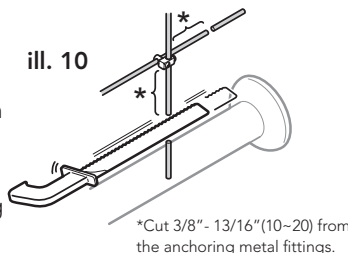


CAUTION

If the pivot arm and the drain lift rod interfere with the wall and the water drain pipe, cut them to a length that they do not interfere. (ill. 10)

Make sure water is flowing properly after installing the faucet.

ill. 10

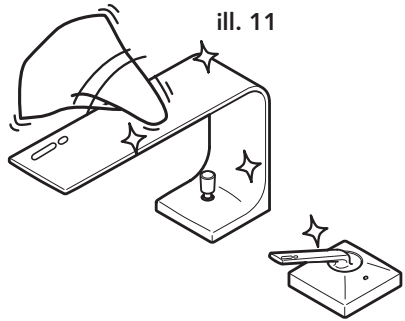


CARE AND CLEANING

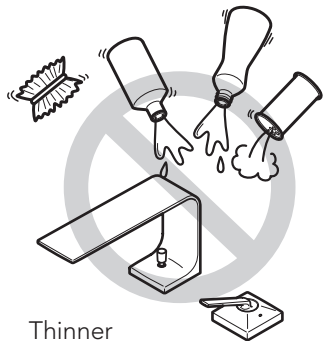
Clean the parts regularly to prevent the accumulation of dirt and lime-scale.

For daily cleaning, use a neutral cleaner.

Acids are necessary ingredients of cleaning materials for removing lime. However, please pay attention to the following points when cleaning fittings (ill. 11):



- Only use cleaning materials which are explicitly recommended for this type of application.
- Never use cleaning materials which contain hydrochloric, formic or acetic acid, as they may cause considerable damage.
- Do not use phosphoric acid as it can also cause damage.
- Never use cleaning materials or appliances with an abrasive effect, such as cleaning powders, sponges or microfiber cloths.
- Please follow the cleaning material manufacturer's instructions.
- When using spray cleaners, spray first onto a soft cloth or sponge.
- Never spray directly onto the fittings, as drops could enter openings and gaps, which can then cause damage.
- After cleaning, rinse thoroughly with clean water to remove any cleaner residue.
- Components with damaged surfaces must be exchanged, otherwise this can cause an injury. Damage caused by improper treatment will not be covered by our warranty.



Thinner
Acidic/alkali detergents
Cleansers

Check your faucet at least once a month for the following potential problems and to do the following maintenance procedures:

Inspect for Leakage

- Check all water connections for signs of leakage. (ill. 12)

Looseness of the product

- Check for any parts that seem abnormal such as being loose as compared when you first began using the product. (ill. 13)

Tighten the Spout and Handle Assembly

- If the spout or handle is loose, tighten the mounting nut underneath the spout or handle assembly.

If you continue to use the product with loose piping, weight is applied to the pipe(s) and may result in water leakage.

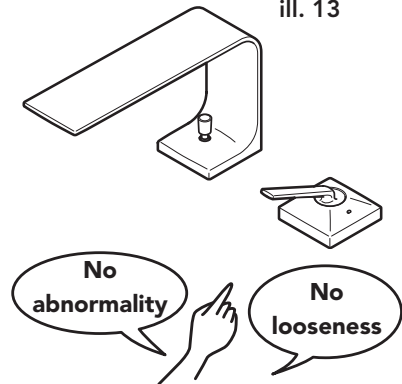
If you leave any abnormality like looseness unfixed, part(s) may break or plated surfaces may crack whereby injuring you.

If you find a loose part, remove the cap and retighten the screw that secures the main body. In case the looseness cannot be repaired, ask your dealer or seller for repairs (subject to billing).

ill. 12



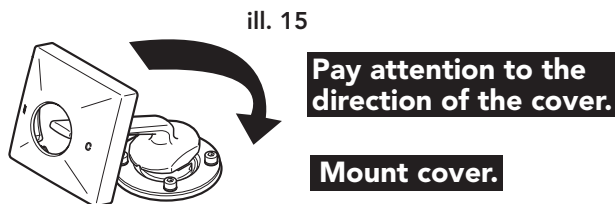
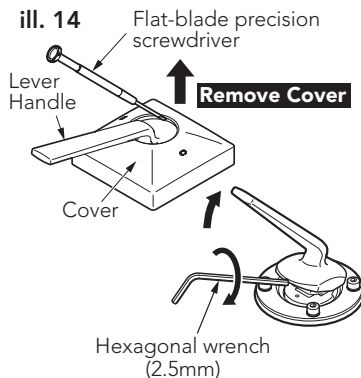
ill. 13



A How to secure the lever handle.

Close the stop valve before starting work.

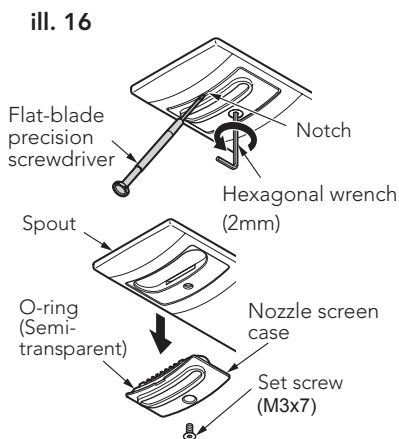
1. Insert a flat-blade precision screwdriver into the clearance between the lever handle and the cover, and lift and remove the cover. (ill. 14)
2. Lift the lever handle and retighten the setscrew with a hexagonal wrench (2.5mm)
3. Pass the cover over the lever handle, press it into the counter surface and mount it. (ill. 15)

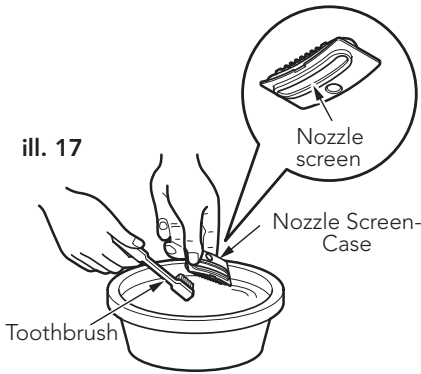


B To clean the nozzle screen:

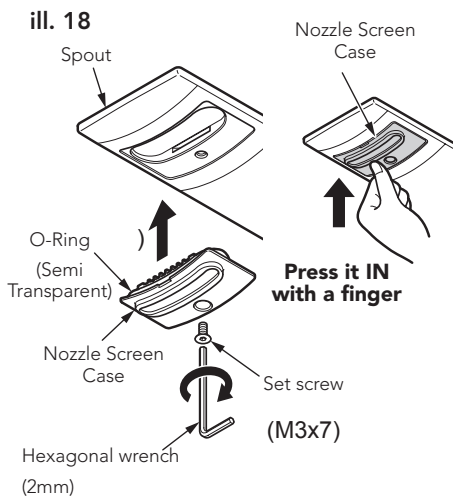
1. Loosen and remove the set screw using a hexagonal wrench (2 mm). (ill. 16)
2. Insert the flat-blade precision screwdriver in the notch between the nozzle screen case and the spout, and remove the nozzle screen case.

Pay attention not to lose the O-ring of the nozzle screen case.



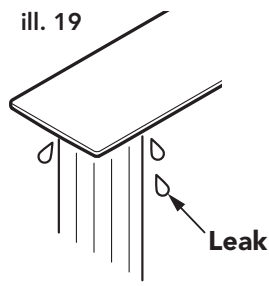


3. Remove dirt and debris caught in the nozzle screen using a toothbrush, etc. (ill. 17)



4. Assemble the nozzle screen case on the spout and lock it in place with the set screw.

Press the nozzle screen case into the spout with a finger and tighten the setscrew. (ill. 18)



5. When mounting work is complete, check the nozzle screen for any water leaks. If the nozzle screen case is not mounted properly, re-mount it. (ill. 19)

WARRANTY

ENGLISH

1. TOTO warrants its electronic flush valves, faucets and soap dispensers ("Product") to be free from defects in materials and workmanship during normal use when properly installed and serviced, for a period of three (3) years from date of purchase. This limited warranty is extended only to the ORIGINAL PURCHASER of the Product and is not transferable to any third party, including but not limited to any subsequent purchaser or owner of the Product. This warranty applies only to TOTO Product purchased and installed in North, Central and South America.
2. TOTO's obligations under this warranty are limited to repair, replacement or other appropriate adjustment, at TOTO's option, of the Product or parts found to be defective in normal use, provided that such Product was properly installed, used and serviced in accordance with instructions. TOTO reserves the right to make such inspections as may be necessary in order to determine the cause of the defect. TOTO will not charge for labor or parts in connection with warranty repairs or replacements. TOTO is not responsible for the cost of removal, return and/or reinstallation of the Product.
3. This warranty does not apply to the following items:
 - a. Damage or loss sustained in a natural calamity such as fire, earthquake, flood, thunder, electrical storm, etc.
 - b. Damage or loss resulting from any accident, unreasonable use, misuse, abuse, negligence, or improper care, cleaning, or maintenance of the Product.
 - c. Damage or loss resulting from sediments or foreign matter contained in a liquid soap system.
 - d. Damage or loss resulting from improper installation or from installation of the Product in a harsh and/or hazardous environment, or improper removal, repair or modification of the Product.
 - e. Damage or loss resulting from electrical surges or lightning strikes or other acts which are not the fault of TOTO or which the Product is not specified to tolerate.
 - f. Damage or loss resulting from normal and customary wear and tear, such as gloss reduction, scratching or fading over time due to use, cleaning practices or water or atmospheric conditions, including but not limited to, the use of bleach, alkali, acid cleaners, dry (powder) cleaners or any other abrasive cleaners or the use of metal or nylon scrubbers.
4. In order for this limited warranty to be valid, proof of purchase is required. TOTO encourages warranty registration upon purchase to create a record of Product ownership at <http://www.totousa.com> is required. TOTO encourages registration upon purchase and failure to register will not diminish your limited warranty rights.
5. THIS WARRANTY GIVES YOU SPECIFIC LEGAL RIGHTS. YOU MAY HAVE OTHER RIGHTS WHICH VARY FROM STATE TO STATE, PROVINCE TO PROVINCE OR COUNTRY TO COUNTRY.
6. To obtain warranty repair service under this warranty, you must take the Product or deliver it prepaid to a TOTO service facility together with proof of purchase (original sales receipt) and a letter stating the problem, or contact a TOTO distributor or products service contractor, or write directly to TOTO U.S.A., INC., 1155 Southern Road, Morrow, GA 30260 (888) 295 8134 or (678) 466-1300, if outside the U.S.A. If, because of the size of the Product or nature of the defect, the Product cannot be returned to TOTO, receipt by TOTO of written notice of the defect together with proof of purchase (original sales receipt) shall constitute delivery. In such case, TOTO may choose to repair the Product at the purchaser's location or pay to transport the Product to a service facility.

THIS WRITTEN WARRANTY IS THE ONLY WARRANTY MADE BY TOTO. REPAIR, REPLACEMENT OR OTHER APPROPRIATE ADJUSTMENT AS PROVIDED UNDER THIS WARRANTY SHALL BE THE EXCLUSIVE REMEDY AVAILABLE TO THE ORIGINAL PURCHASER. TOTO SHALL NOT BE RESPONSIBLE FOR LOSS OF THE PRODUCT OR FOR OTHER INCIDENTAL, SPECIAL OR CONSEQUENTIAL DAMAGES OR EXPENSES INCURRED BY THE ORIGINAL PURCHASER, OR FOR LABOR OR OTHER COSTS DUE TO INSTALLATION OR REMOVAL, OR COSTS OF REPAIRS BY OTHERS, OR FOR ANY OTHER EXPENSE NOT SPECIFICALLY STATED ABOVE. IN NO EVENT WILL TOTO'S RESPONSIBILITY EXCEED THE PURCHASE PRICE OF THE PRODUCT. EXCEPT TO THE EXTENT PROHIBITED BY APPLICABLE LAW, ANY IMPLIED WARRANTIES, INCLUDING THAT OF MERCHANTABILITY OR FITNESS FOR USE OR FOR A PARTICULAR PURPOSE, ARE EXPRESSLY DISCLAIMED. SOME STATES DO NOT ALLOW LIMITATIONS ON HOW LONG AN IMPLIED WARRANTY LASTS, OR THE EXCLUSION OR LIMITATION OF INCIDENTAL OR CONSEQUENTIAL DAMAGES, SO THE ABOVE LIMITATION AND EXCLUSION MAY NOT APPLY TO YOU.

TABLA DE CONTENIDO

¡Gracias por elegir TOTO!.....	13	Procedimiento de Instalación.....	15
Advertencias.....	13	Cuidado y Limpieza.....	19
Antes de la Instalación.....	13	Mantenimiento.....	20
Partes Incluidas.....	14	Garantía.....	23
Herramientas que necesitarás....	14	Bosquejo.....	46
Especificaciones.....	14		

¡GRACIAS POR ELEGIR TOTO!

La misión de TOTO es proporcionar al mundo estilos de vida saludables, higiénicos y más cómodos. Diseñamos cada producto con el equilibrio de forma y función como principio rector. Felicidades por tu elección.

ADVERTENCIAS

Para un funcionamiento seguro del grifo, tenga en cuenta lo siguiente:

- Presión operacional:
 - Presión mínima 20 psi (138 k Pa), dinámica
 - Presión máxima 80 psi (551 kPa), estático
- No use el producto a una temperatura ambiente inferior a 32° F (0° C)

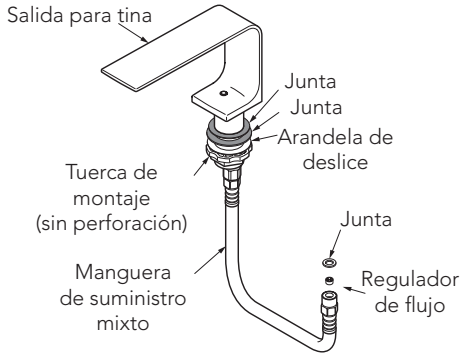
ANTES DE LA INSTALACIÓN

- Observe todos los códigos de plomería locales.
- Antes de instalar el grifo, asegúrese de enjuagar a fondo los tubos de suministro de suciedad y residuos.
- Asegúrese de que el suministro de agua esté cerrado en la válvula de cierre.
- Lea estas instrucciones cuidadosamente para asegurar una instalación correcta.
- TOTO se reserva el derecho de actualizar el diseño del producto sin previo aviso.

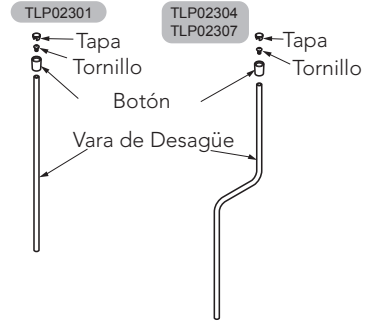
PARTES INCLUIDAS

Asegurese de que tiene las partes indicadas a continuación:

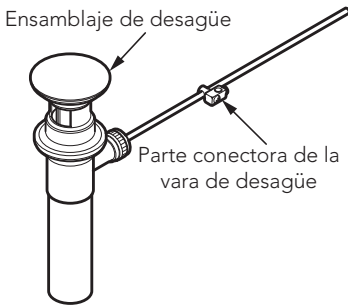
Ensamblaje de salida para tina



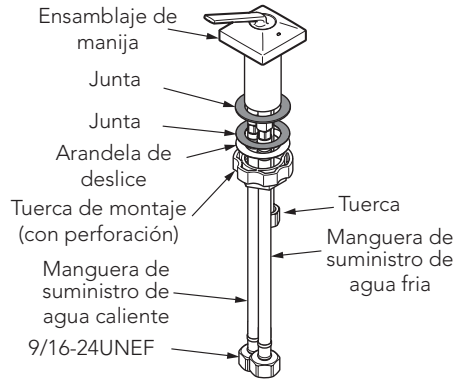
Vara de Desagüe



Ensamblaje de desagüe



Ensamblaje de Manija



ESPAÑOL

HERRAMIENTAS QUE NECESITARÁS



Llave Ajustable



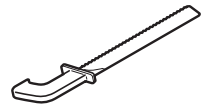
Nivel



Cinta Metrica



Destornillador Phillips



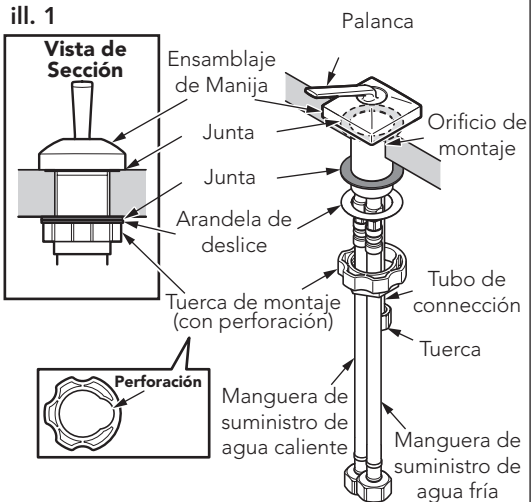
Sierra

ESPECIFICACIONES

Presión de suministro de agua	Mínimo requerido: 20 psi (138 kPa) (corriente)
	Máximo permitido: 80 psi (551 kPa)
Conexión de suministro de agua	3/8 Comp
Temperatura ambiente	32~104°F (0~40°C)
Humedad	Max. 90% RH
Flujo	Máximo de 1,2 galón/min (4,5 L/min)

1. Monte el ensamblaje de la manija.

(1) Inserte las mangueras de suministro de agua CALIENTE/FRÍA en el orificio de montaje.
 (2) Pase las mangueras de suministro de agua CALIENTE/FRÍA a través de la junta, la arandela de deslice y la tuerca de montaje (con perforación) una a una. Luego, pase la tuerca de la tubería conectora a través de la perforación y asegure el ensamblaje de la manija. (ill. 1)

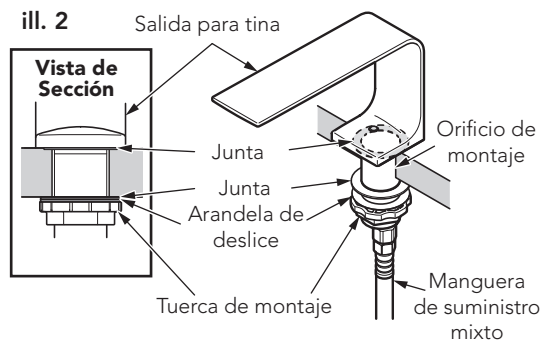


IMPORTANTE: Alinee la posición del eje de manera que el ensamblaje de la manija llegue al centro del orificio de montaje.

(3) Conecte las mangueras a las líneas de suministro. La manguera izquierda (marcada con una banda roja) conecta el suministro de agua caliente. La manguera derecha conecta el suministro de agua fría. Ajuste con la llave lo necesario.

2. Montar el ensamblaje de la salida para tina.

(1) Coloque la junta, la arandela de deslice y la tuerca de montaje (sin perforación) en la salida para tina y asegúrela. (ill.2)

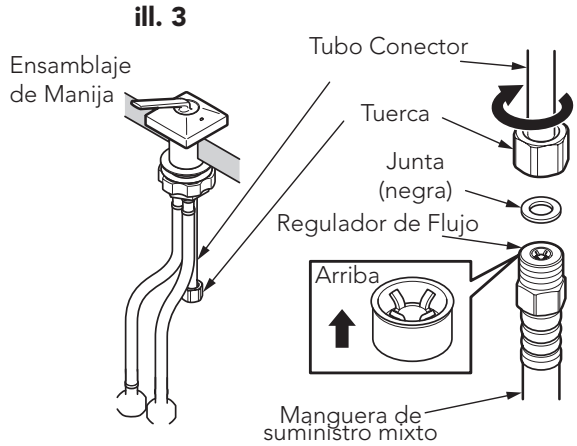


IMPORTANTE:
 Alinee la salida para tina de manera que salga del centro del orificio de montaje.

3. Conexión de la manguera de suministro mixto.

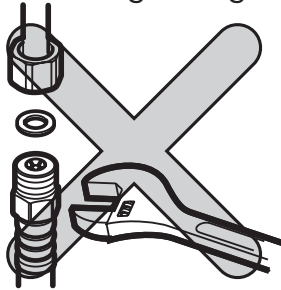
(1) Gire la tuerca de la tubería conectora y conecte la manguera de suministro mixto.

(ill. 3)



Nunca gire la tuerca del lado de la manguera de suministro mixto.

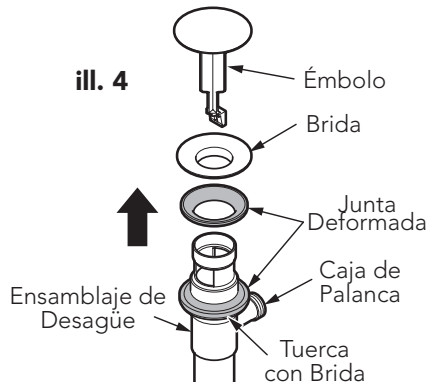
Puede girarse la manguera y causar una fuga de agua.



4. Montar ensamblaje de desagüe.

(1) Quite el émbolo, el reborde y la junta del ensamblaje del desagüe desajustando el reborde y tirando de estas partes desde el desagüe.

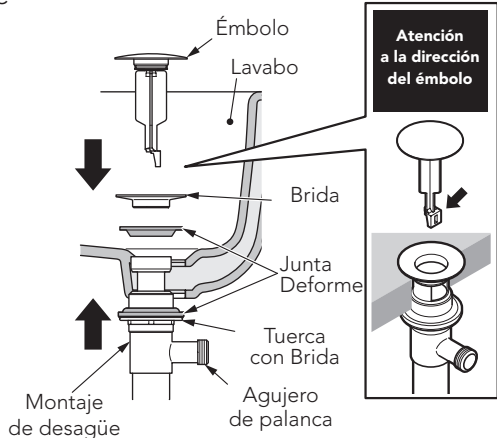
(ill. 4)



PROCEDIMIENTO DE INSTALACIÓN

(2) Inserte el cuerpo del desagüe a través del orificio del desagüe desde la parte de abajo del lavabo. De ser necesario, gire la tuerca y presione (fuerte) la arandela y la junta para hacer espacio.

ill. 5



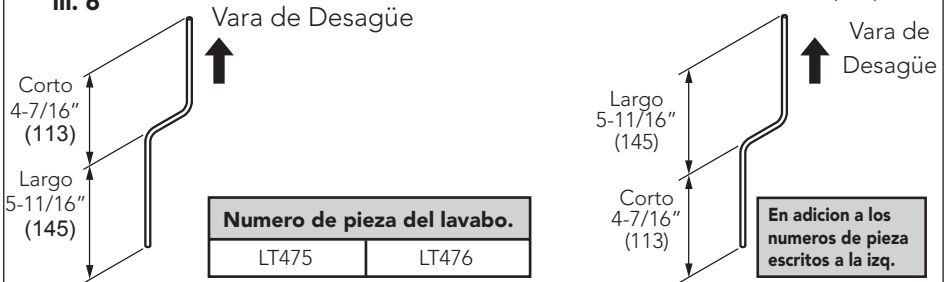
Mientras sostiene el cuerpo del desagüe en su lugar, ajuste el reborde al cuerpo del desagüe desde la parte superior. Asegúrese de que el perno esté entre el reborde y el lavabo, como se muestra. Una vez que el reborde esté completamente asentado, gire la tuerca de abajo del lavabo hasta sellar bien. ¡No ajuste demás!

(ill. 5)

Vuelva a insertar el émbolo de ser necesario.

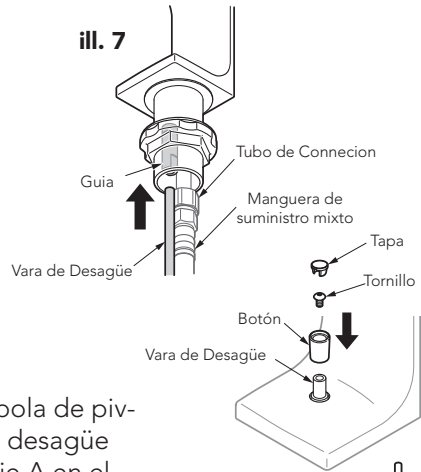
(3) Monte la vara de desagüe en la dirección adecuada. (ill. 6)

ill. 6

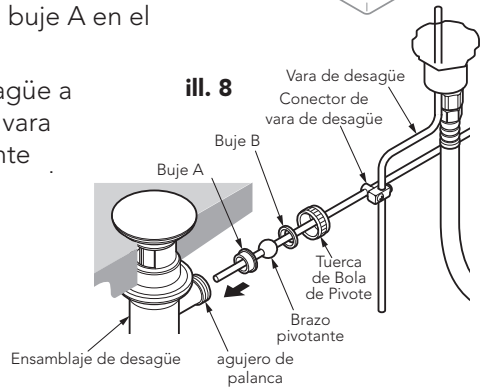


ESPAÑOL

- (4) Montar el ensamblaje del desagüe (continuación)
 (a) Inserte la vara de desagüe en la guía de la parte inferior del cuerpo de la salida para tina.
 (b) Monte el botón, tornillo y la tapa en la vara de desagüe, en ese orden.
 (ill. 7)

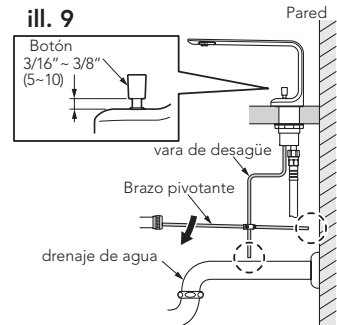


- (c) Coloque el buje B, la tuerca de la bola de pivote y la parte conectora de la vara de desagüe en el brazo pivotante y coloque el buje A en el ensamblaje del desagüe.
 (d) Luego de pasar la vara de desagüe a través de la parte conectora de la vara de desagüe, pase el brazo pivotante a través del orificio del reborde de la palanca y asegúrela con la tuerca de la bola de pivote.
 (ill. 8)



5. Conecte el ensamblaje del desagüe.

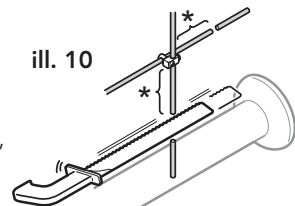
- (1) Ajuste la posición de la vara del desagüe para que el espacio entre la salida para tina y el botón sea de 3/16" - 3/8" (5~10 mm).
 (2) Baje el brazo pivotante a la posición más baja en la condición descrita en la parte (a), asegure el tornillo de la parte conectora de la vara de desagüe para sujetar el brazo pivotante y la vara de desagüe.
 (ill. 9)



PRECAUCIÓN

Si la palanca de pie y la vara de desagüe interfieren con la pared y la tubería de desagüe de agua, córtelas para que no interfieran. (ill. 10)

Asegúrese de que el agua fluya correctamente luego de instalar la llave.



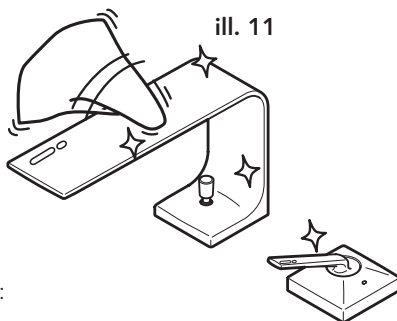
*Corte 3/8" - 13/16" (10-20) de los accesorios de metal de anclaje.

CUIDADO Y LIMPIEZA

Limpie las partes con regularidad para evitar la acumulación de suciedad y sarro calcáreo.

Para la limpieza diaria, use un limpiador neutro.

Los ácidos son ingredientes necesarios de los materiales de limpieza para eliminar el sarro. Sin embargo, preste atención a los siguientes puntos al limpiar los accesorios:



- Solo use materiales de limpieza explícitamente recomendados para este tipo de aplicación.
- Nunca use materiales de limpieza que contengan ácido hidroclórico, fórmico o acético, ya que pueden causar daños significativos.
- No use ácido fosfórico ya que también puede causar daños.
- Nunca use materiales o artículos de limpieza que tengan un efecto abrasivo, como polvos de limpieza, esponjas o trapos de microfibra.
- Siga las instrucciones de materiales de limpieza del fabricante.
- Al usar limpiadores en aerosol, aplique el aerosol primero a un trapo o una esponja.
- Nunca aplique el aerosol directamente en los accesorios, ya que las gotas pueden ingresar en las aberturas y brechas y causar daños.
- Luego de limpiar, enjuague bien con agua limpia para quitar todos los residuos de los productos de limpieza.
- Los componentes con superficies dañadas deben cambiarse o pueden causar lesiones. Nuestra garantía no cubrirá los daños causados por tratamientos no adecuados.



Disolventes
Detergentes ácidos /
alcalinos
Limpiadores

Controle su llave al menos una vez al mes para verificar que no tenga los siguientes problemas y para realizar los siguientes procedimientos de mantenimiento:

Inspeccione las fugas

- Controle todas las conexiones de agua para verificar que no tengan fugas. (ill. 12)

Fijación del producto

- Controle las partes que no parecen estar normales por estar sueltas en comparación con la primera vez que usó el producto. (ill. 13)

Ajuste la salida para tina y el ensamblaje de la manija

- Si la salida para tina o la manija están flojas, ajuste la tuerca de abajo de la salida o del ensamblaje de manija.

Si continúa usando el producto con la tubería suelta, se aplica peso a las tuberías y puede causar una fuga de agua.

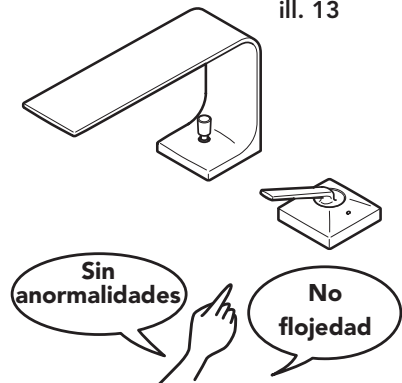
Si deja alguna anomalía como partes sueltas o no fijadas, estas pueden romperse o las superficies cromadas pueden rajarse y lastimarlo.

Si encuentra una parte suelta, quite la tapa y vuelva a asegurar el tornillo que sujeta el cuerpo principal. En caso de que no se pueda reparar la soltura, pida a su distribuidor o vendedor que lo repare (sujeto a costos).

ill. 12



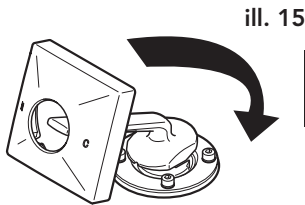
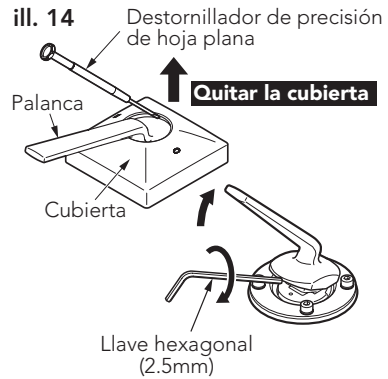
ill. 13



A Cómo asegurar la llave tipo palanca.

Cierre la válvula de bloqueo antes de empezar a trabajar.

1. Inserte un destornillador chato en el espacio entre la llave tipo palanca y la cubierta y levante y quite la cubierta. (ill. 14)
2. Levante la llave tipo palanca y vuelva a ajustar el tornillo de fijación con una llave hexagonal (2,5 mm)
3. Pase la cubierta sobre la llave tipo palanca, presiónela sobre la superficie de la encimera y móntela. (ill. 15)



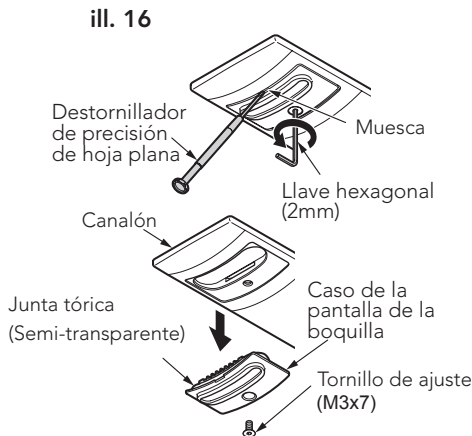
Preste atención a la dirección de la cubierta.

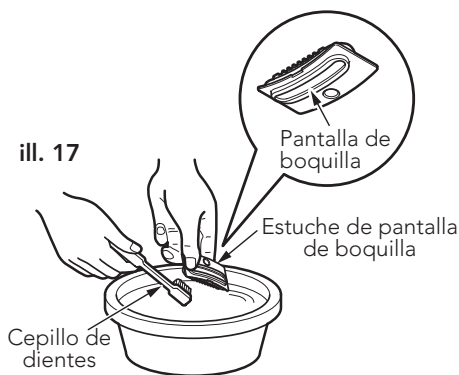
Monte la cubierta.

B Para limpiar el filtro de la boquilla:

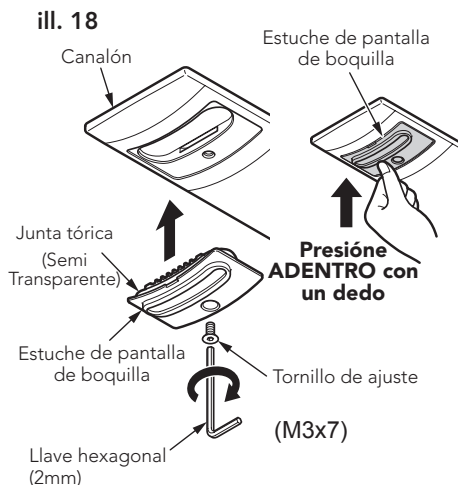
1. Afloje y quite el tornillo de fijación usando una llave hexagonal (2 mm). (ill. 16)
2. Inserte el destornillador chato de precisión en la marca entre el contenedor del filtro de la boquilla y la salida para tina y remueva el contenedor.

Esté atento a no aflojar la junta tórica del contenedor del filtro de la boquilla.



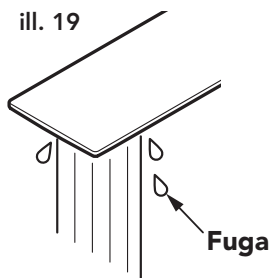


3. Quite la suciedad y los residuos del filtro de la boquilla usando un cepillo de dientes, etc. (ill. 17)



4. Ensamble el estuche del filtro de la boquilla en la salida para tina y asegúrelo en su lugar con el tornillo fijador.

Presione el estuche del filtro de la boquilla en la salida para tina con un dedo y ajuste el tornillo fijador. (ill. 18)



5. Cuando finaliza el trabajo de montaje, controle que el filtro de la boquilla no tenga fugas. Si el contenedor del filtro de la boquilla no está montado correctamente, vuélvalo a montar. (ill. 19)

GARANTÍA

1. TOTO garantiza que sus válvulas de descarga electrónica, grifos y dispensadores de jabón ("Producto") están libres de defectos en los materiales y mano de obra durante el uso normal cuando se instala y se mantiene de manera adecuada, por un período de tres (3) años a partir de la fecha de adquisición. Esta garantía limitada se extiende solamente al COMPRADOR ORIGINAL del Producto y no es transferible a terceros, incluyendo pero no taxativamente cualquier comprador o propietario subsecuente del Producto. Esta garantía se aplica solamente al producto TOTO adquirido e instalado en América del Norte, Central y Sur.
2. Las obligaciones de TOTO conforme a esta garantía se limitan a la reparación, reemplazo u otro ajuste apropiado, a discreción de TOTO, del Producto o las piezas que resulten defectuosas en su uso normal, siempre que dicho Producto fuera instalado, utilizado y mantenido adecuadamente en consonancia a las instrucciones. TOTO se reserva el derecho de realizar tantas inspecciones como sean necesarias para determinar la causa del defecto. TOTO no cobrará por la mano de obra o piezas con respecto a las reparaciones o reemplazos de la garantía. TOTO no es responsable del costo de la retirada, devolución o reinstalación del Producto.
3. Esta garantía no se aplica a los siguientes puntos:
 - a. Daños o pérdidas resultantes de una calamidad natural como incendio, terremoto, inundación, truenos, tormenta eléctrica, etc.
 - b. Daños o pérdidas resultantes de cualquier accidente, uso irrazonable, uso indebido, abuso, negligencia, o cuidado inadecuado, limpieza o mantenimiento del Producto.
 - c. Daños o pérdidas resultantes de los sedimentos o cuerpos extraños en un sistema de jabón líquido.
 - d. Daños o pérdidas resultantes de una instalación incorrecta o de la instalación del Producto en un ambiente áspero o peligroso, o retirada, reparación o modificación inadecuada del Producto.
 - e. Daños o pérdidas resultantes de sobrecargas eléctricas o rayos u otros actos que no sean responsabilidad de TOTO o que el Producto no es especificado para tolerar.
 - f. Daños o pérdidas resultantes del desgaste normal y habitual, como pérdida de brillo, rayado o desvanecimiento con el tiempo debido al uso, prácticas de limpieza, condiciones atmosféricas o agua, incluyendo pero no taxativamente, el uso de lejía, alcalinos, limpiadores ácidos, limpiadores secos (polvo) o limpiadores abrasivos o el uso de depuradores de metal o nylon.
4. Con el fin de que esta garantía limitada sea válida, se requiere una prueba de compra. TOTO le aconseja el registro de la garantía al momento de la compra para crear un registro de la propiedad del Producto en <http://www.totousa.com>. El registro del producto es completamente voluntario y no hacerlo no disminuirá los derechos de su garantía limitada.
5. ESTA GARANTÍA LE OTORGA DERECHOS LEGALES ESPECÍFICOS. PUEDE TENER OTROS DERECHOS QUE VARÍAN ENTRE ESTADOS, PROVINCIAS O PAÍSES.
6. A fin de obtener el servicio de reparación de la garantía en virtud de esta garantía, deberá llevar el producto o entregarlo prepago a un servicio técnico de TOTO junto con el comprobante de compra (recibo de venta original) y una carta que indique el problema, o póngase en contacto con un distribuidor o contratista de servicio de productos de TOTO o bien escriba directamente a TOTO U.S.A., INC., 1155 Southern Road, Morrow, GA 30260 (888) 295 8134 o (678) 466-1300, si no se encuentra en los Estados Unidos. Si, debido al tamaño del Producto o a la naturaleza del defecto, el Producto no se puede devolver a TOTO, el recibo de TOTO del aviso por escrito del defecto junto con el comprobante de compra (recibo de venta original) constituirá la entrega. En tal caso, TOTO puede optar por reparar el Producto en el lugar del comprador o pagar para transportar el Producto a un servicio técnico.

ESTA GARANTÍA POR ESCRITO ES LA ÚNICA GARANTÍA REALIZADA POR TOTO. LA REPARACIÓN, REEMPLAZO U OTRO AJUSTE ADECUADO, TAL COMO APARECE EN ESTA GARANTÍA SERÁ EL ÚNICO RECURSO DISPONIBLE PARA EL COMPRADOR ORIGINAL. TOTO NO SERÁ RESPONSABLE DE LA PÉRDIDA DEL PRODUCTO O DE OTROS DAÑOS INCIDENTALES, ESPECIALES O CONSECUENCIALES O GASTOS INCURRIDOS POR EL COMPRADOR ORIGINAL, O DE LA MANO DE OBRA U OTROS COSTOS RELACIONADOS CON LA INSTALACIÓN O RETIRADA, O COSTOS DE REPARACIONES REALIZADOS POR OTROS O DE NINGÚN OTRO GASTO QUE NO SE HUBIERA ESPECIFICADO ANTERIORMENTE. EN NINGÚN CASO LA RESPONSABILIDAD DE TOTO EXCEDERÁ EL PRECIO DE COMPRA DEL PRODUCTO. SALVO DISPOSICIÓN LEGAL CONTRARIA, TODA GARANTÍA IMPLÍCITA, QUE INCLUYE LA DE COMERCIABILIDAD O IDONEIDAD PARA USO O PARA UN PROPÓSITO PARTICULAR, ESTÁ EXPRESAMENTE PROHIBIDA. ALGUNOS ESTADOS NO PERMITEN LIMITACIONES SOBRE LA DURACIÓN DE UNA GARANTÍA IMPLÍCITA, O LA EXCLUSIÓN O LIMITACIÓN DE DAÑOS INCIDENTALES O CONSECUENTES, POR ESO LA LIMITACIÓN Y EXCLUSIÓN ANTERIORES PUEDEN NO APLICARSE EN ESTE CASO.

TABLE DES MATIÈRES

Merci d'avoir choisi TOTO!.....	24	Procédure d'installation.....	26
Avertissements.....	24	Nettoyage.....	30
Avant l'installation.....	24	Entretien.....	31
Pièces incluses.....	25	Garantie.....	34
Outils Nécessaire.....	25	Robinetterie Brute.....	46
Caractéristiques.....	25		

MERCI D'AVOIR CHOISI TOTO!

La mission de TOTO est de fournir au monde des modes de vie sains, hygiéniques et plus confortables. Nous concevons chaque produit avec l'équilibre entre la forme et la fonction comme principe directeur. Félicitations pour votre choix.

AVERTISSEMENTS

Pour un fonctionnement sûr du robinet, veuillez observer ce qui suit:

- Pression de fonctionnement:
 - Pression minimum 20 psi (138 kPa), dynamique
 - Pression maximum 80 psi (551 kPa), statique
- Ne pas utiliser le produit à une température ambiante inférieure à 32 ° F (0 ° C)

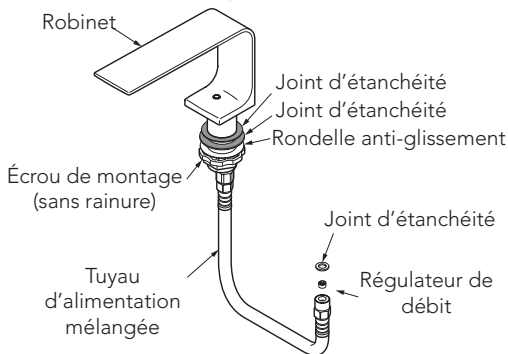
AVANT L'INSTALLATION

- Respectez tous les codes de plomberie locaux.
- Avant d'installer le robinet, assurez-vous de bien rincer les tuyaux d'alimentation de la saleté et des débris.
- Assurez-vous que l'alimentation en eau est coupée à la vanne d'arrêt.
- Lisez attentivement ces instructions pour assurer une installation correcte.
- TOTO se réserve le droit de mettre à jour la conception du produit sans préavis.

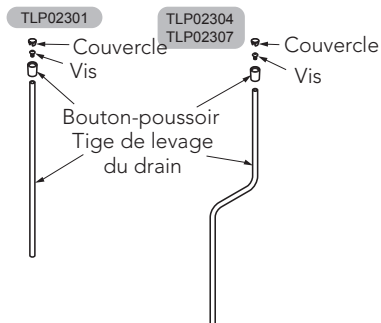
PIÈCES INCLUSES

Assurez-vous d'avoir les pièces indiquées ci-dessous :

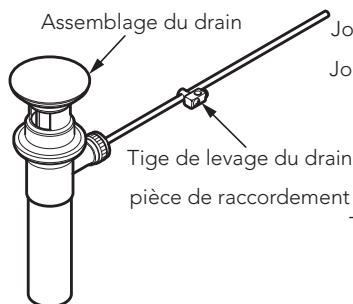
Assemblage du robinet



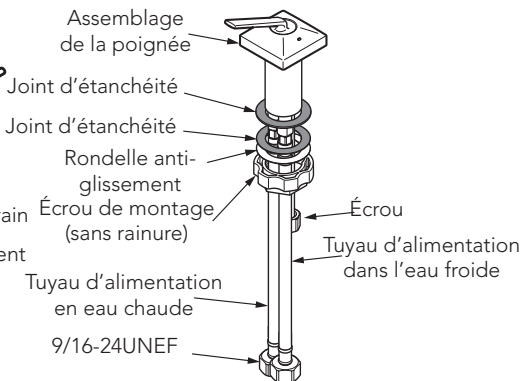
Tige de levage du drain



Assemblage du drain



Assemblage de la poignée



OUTILLAGE NÉCESSAIRE



Clé Réglable



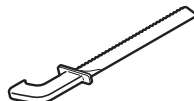
Niveau



Ruban Mesure



Tournevis Cruciforme



Scie à Métaux

CARACTÉRISTIQUES

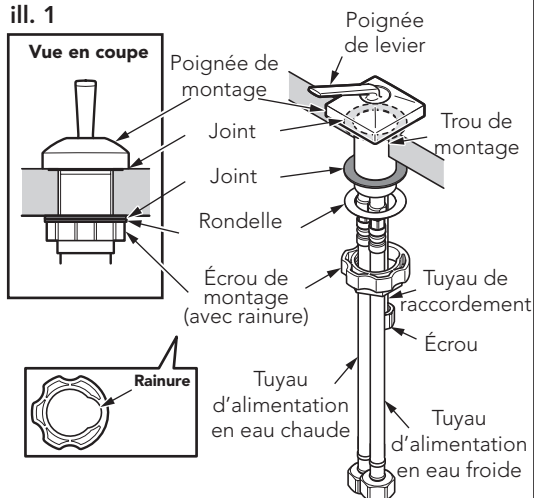
Pression d'alimentation en eau	Minimum requis: 20 psi (138 kPa) (Écoulement)
	Maximum autorisé: 80 psi (551 kPa)
Raccordement d'alimentation en eau	3/8 Comp
Température ambiante	32~104°F (0~40°C)
Humidity	Max. 90% RH
Flow Rate	Maximum 1.2 gallon/min (4.5 L/min)

1. Montez l'assemblage de la poignée.

(1) Insérez les tuyaux d'alimentation en eau CHAUDE/FROIDE dans le trou de montage.

(2) Faites passer les tuyaux d'alimentation en eau CHAUDE/FROIDE à travers le joint d'étanchéité, la rondelle anti-glissement et l'écrou de montage (avec rainure) une pièce après l'autre. Ensuite, faites passer l'écrou de la conduite de raccordement à travers la rainure et fixez l'assemblage de la poignée. (ill. 1)

ill. 1



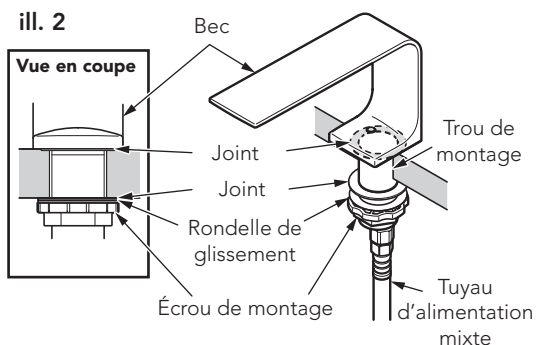
IMPORTANT : Alignez la position de l'arbre pour que l'assemblage de la poignée soit au centre du trou de montage.

(3) Connectez les tuyaux aux conduites d'alimentation. Le tuyau de gauche (marqué par une bande rouge) est raccordé à l'alimentation en eau chaude. Le tuyau de droite est raccordé à l'alimentation en eau froide. Serrez avec une clé selon le besoin.

2. Montage de l'assemblage du robinet.

(1) Posez le joint d'étanchéité, la rondelle anti-glissement et l'écrou de montage (sans rainure) sur le robinet et fixez celui-ci.

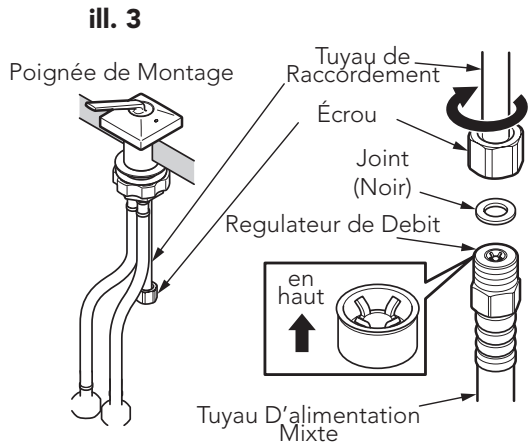
ill. 2



IMPORTANT : Alignez le robinet pour qu'il soit au centre du trou de montage.

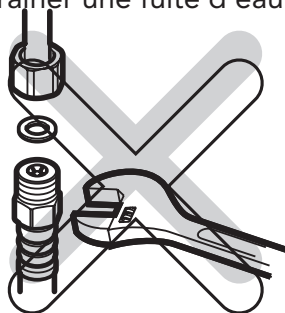
3. Raccordement du tuyau d'alimentation mélangée.

(1) Tournez l'écrou de la conduite de raccordement et branchez le tuyau d'alimentation mélangée. (ill. 3)



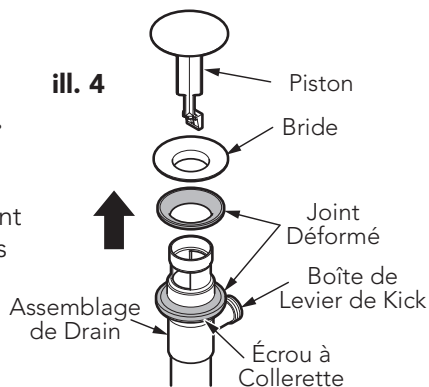
Ne tournez jamais l'écrou sur le côté du tuyau d'alimentation mélangée.

Le tuyau peut tourner et entraîner une fuite d'eau.



4. Installez l'assemblage du drain.

(1) Déposez la ventouse, la bride et le joint d'étanchéité de l'assemblage du drain en desserrant la bride et en tirant ces pièces hors du drain. (ill. 4)



PROCÉDURE D'INSTALLATION

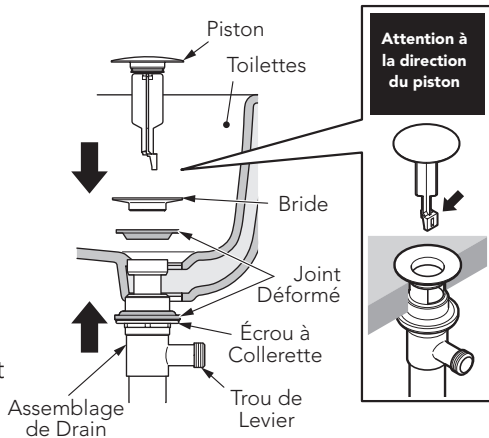
(2) Insérez le corps du drain à travers le trou du drain à partir du bas du lavabo. Si nécessaire, tournez l'écrou et appuyez sur la rondelle et le joint d'étanchéité (épais) pour créer un jeu.

Tout en maintenant le corps du drain en place, serrez la bride sur le corps du drain à partir du haut. Assurez-vous que le joint d'étanchéité est entre la bride et le lavabo, comme illustré. Une fois que la bride a été entièrement insérée, tournez l'écrou sous le lavabo jusqu'à obtenir une bonne étanchéité. Ne serrez pas excessivement!

(ill. 5)

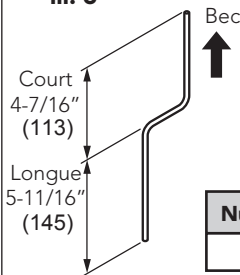
Réinsérez la ventouse si nécessaire.

ill. 5

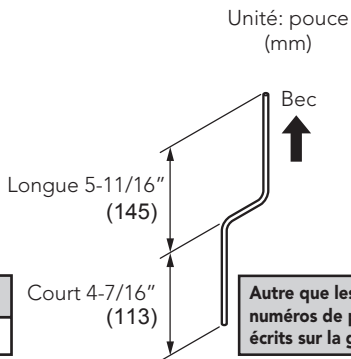


(3) Montez la tige de levage du drain dans la direction appropriée. (ill. 6)

ill. 6



Numéro de pièce du lavabo	
LT475	LT476



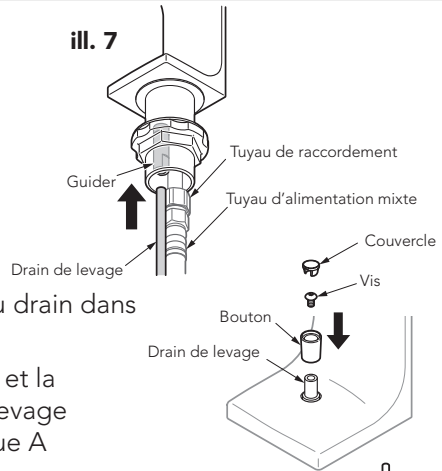
PROCÉDURE D'INSTALLATION

(4) Installez l'assemblage du drain (suite)

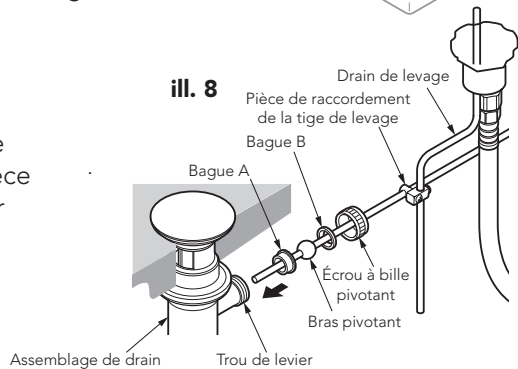
(a) Insérez la tige de levage du drain dans le guide à partir du dessous du corps de robinet.

(b) Montez le bouton-poussoir, la vis et le couvercle sur la tige de levage du drain dans cet ordre. (ill. 7)

(c) Insérez la bague B, l'écrou à rotule et la pièce de raccordement de la tige de levage du drain sur le bras de pivot et la bague A sur l'assemblage du drain.



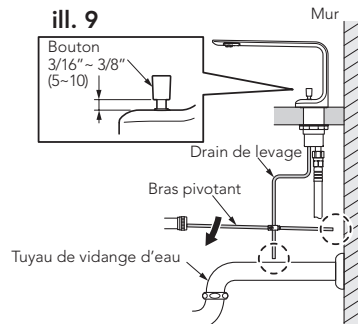
(d) Après avoir passé la tige de levage du drain à travers la pièce de raccordement, faites passer le bras de pivot à travers le trou de la ventouse de la boîte à levier et fixez-la avec l'écrou à rotule. (ill. 8)



5. Raccordez l'assemblage du drain.

(1) Réglez la position de la tige de levage du drain de sorte que le jeu entre le robinet et le bouton-poussoir soit de 5 à 10 mm (3/16 po à 3/8 po).

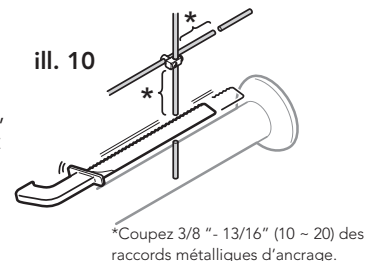
(2) Abaissez le bras de pivot à la position la plus basse dans l'état décrit dans la partie (a), fixez la vis de la pièce de raccordement de la tige de levage du drain sur l'ancrage du bras de pivot et la tige de levage du drain. (ill. 9)



MISE EN GARDE

Si le levier manuel et la tige de levage du drain interfèrent avec le mur et le tuyau du drain d'eau, coupez-les à une longueur pour s'ils n'interfèrent plus. (ill. 10)

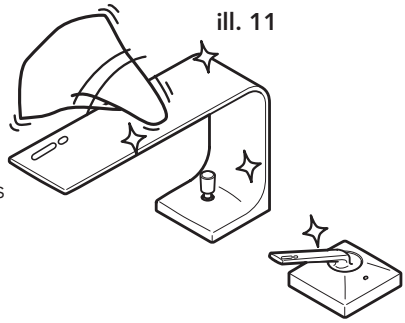
Assurez-vous que l'eau s'écoule correctement après l'installation du robinet.



Nettoyez les pièces régulièrement pour prévenir l'accumulation de saletés et de calcaire.

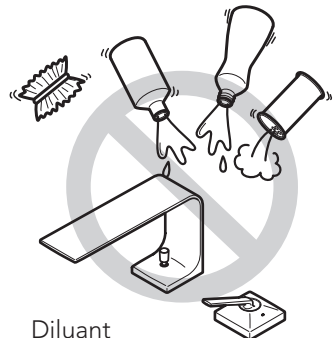
Pour le nettoyage quotidien, utilisez un nettoyant neutre.

Les acides sont des ingrédients nécessaires des produits de nettoyage pour éliminer le tartre. Cependant, faites attention aux points suivants lors du nettoyage des raccords (ill. 11):



- Utilisez uniquement des produits de nettoyage qui sont explicitement recommandés pour ce type d'application.
- N'utilisez jamais des produits de nettoyage qui contiennent de l'acide hydrochlorique, formique ou acétique, car il peut causer des dommages considérables.
- N'utilisez pas de l'acide phosphorique, car il peut également causer des dommages.
- N'utilisez jamais de produits ou d'appareils de nettoyage ayant un effet abrasif, comme les poudres de nettoyage, les éponges ou les tissus en microfibres.
- Veuillez observer les instructions du fabricant du produit de nettoyage.
- Si vous utilisez des nettoyeurs à pulvériser, pulvérisez d'abord sur un tissu ou une éponge.
- Ne pulvérisez jamais directement sur les raccords, car les gouttes peuvent entrer dans les ouvertures et les écarts, ce qui peut entraîner des dommages.
- Après le nettoyage, rincez bien avec de l'eau propre pour éliminer tout résidu du nettoyant.

- Les composants ayant des surfaces endommagées doivent être remplacés, sinon cela peut entraîner des blessures. Les dommages causés par le traitement inapproprié ne seront pas couverts par notre garantie.



Diluant
Acidic / alkali detergents
Démaquillants

Vérifiez votre robinet au moins une fois par mois pour détecter les problèmes potentiels suivants et effectuer les procédures d'entretien suivantes:

Vérifiez la présence de fuites

- Vérifiez tous les raccordements d'eau à la recherche de signes de fuite. (ill. 12)

Relâchement du produit

- Vérifiez s'il y a des pièces qui semblent anormales, par exemple si elles sont desserrées par rapport au moment où vous avez commencé à utiliser le produit. (ill. 13)

Serrez le robinet et l'assemblage de la poignée

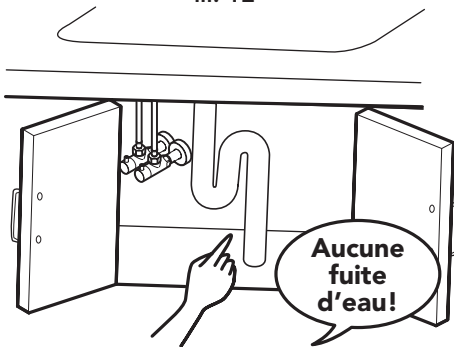
- Si le robinet ou la poignée est desserré(e), serrez l'écrou de montage sous le robinet ou l'assemblage de la poignée.

Si vous continuez à utiliser le produit avec des tuyaux desserrés, la charge est appliquée sur le ou les tuyaux, ce qui peut entraîner des fuites.

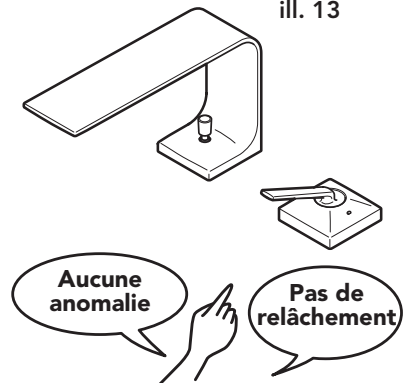
Si ne corrigez pas les anomalies comme le relâchement, la ou les pièces peuvent se casser et les surfaces plaquées peuvent se fissurer, ce qui peut causer des blessures.

Si vous trouvez une pièce desserrée, déposez le capuchon et resserrez la vis qui fixe le corps principal. Si le relâchement ne peut pas être réparé, demandez à votre concessionnaire ou vendeur d'effectuer les réparations (soumises à facturation).

ill. 12



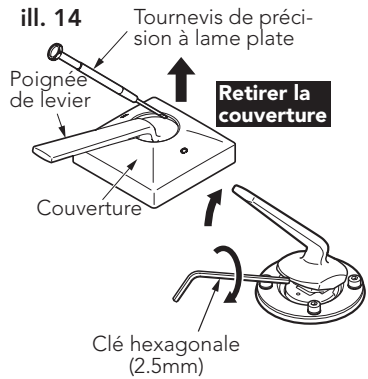
ill. 13



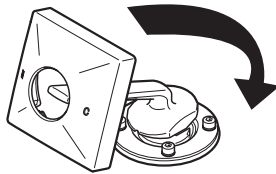
A Comment sécuriser la poignée du levier.

Fermez la vanne d'arrêt avant de commencer le travail.

1. Insérez un tournevis de précision à lame plate dans le jeu entre la poignée du levier et le couvercle, puis levez et déposez le couvercle. (ill. 14)
2. Levez la poignée du levier et resserrez la vis sans tête avec une clé hexagonale (2,5 mm)
3. Passez le couvercle au-dessus de la poignée du levier, appuyez dessus sur la surface opposée et montez-le. (ill. 15)



ill. 15



Faites attention au direction de la couverture.

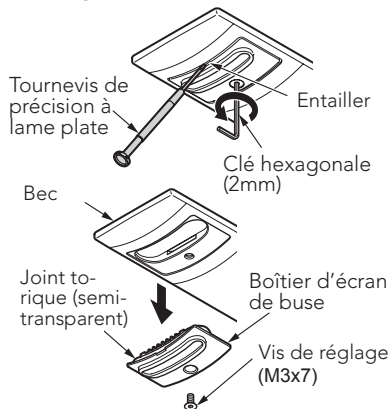
Monter la couverture.

B Pour nettoyer l'écran de la buse :

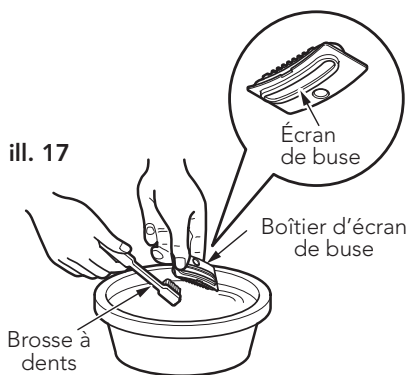
1. Desserrez et déposez la vis sans tête en utilisant une clé hexagonale (2 mm). (ill. 16)
2. Insérez le tournevis de précision à lame plate dans l'encoche située entre le boîtier de l'écran de la buse et le robinet, et déposez le boîtier de l'écran de la buse.

Faites attention à ne pas perdre le joint torique du boîtier de l'écran de la buse.

ill. 16

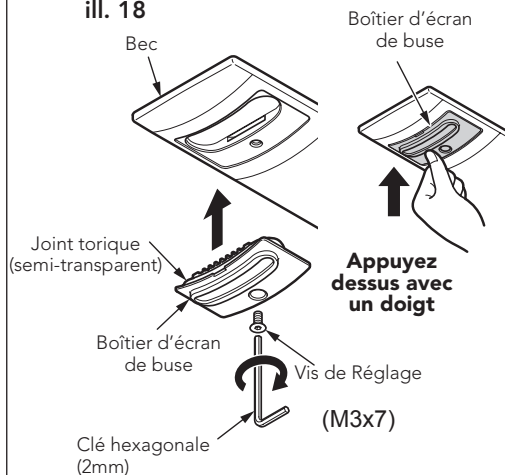


ill. 17



3. Éliminez les saletés et les débris piégés dans l'écran de la buse en utilisant une brosse à dents, etc. (ill. 17)

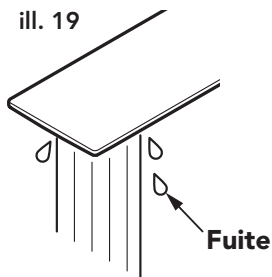
ill. 18



4. Assemblez le boîtier de l'écran de la buse sur le robinet et verrouillez-le en place avec une vis sans tête.

Appuyez sur le boîtier de l'écran de la buse dans le robinet avec un doigt et serrez la vis sans tête. (ill. 18)

ill. 19



5. Une fois le travail de montage terminé, vérifiez si l'écran de la buse présente des fuites d'eau. Si le boîtier de l'écran de la buse n'est pas correctement monté, montez-le à nouveau. (ill. 19)

GARANTIE

1. TOTO garantit que ses robinets de chasse électroniques, robinets et distributeurs de savon (« produit ») sont exempts de défauts de matériaux et de fabrication pendant l'utilisation normale lorsqu'il sont correctement installés et entretenus, pour une durée de trois (3) ans à partir de la date d'achat. Cette garantie limitée est seulement offerte à l'ACHETEUR ORIGINAL du produit et n'est pas transférable à un tiers, y compris mais non de façon limitative tout acheteur ou propriétaire ultérieur du produit. Cette garantie s'applique uniquement aux produits de TOTO achetés et installés en Amérique du Nord, Centrale et du Sud.
2. Les obligations de TOTO en vertu de cette garantie sont limitées à la réparation, au remplacement ou à l'ajustement approprié, à la discrétion de TOTO, du produit ou des pièces défectueuses pendant l'utilisation normale, à condition qu'un tel produit soit correctement installé, utilisé et entretenu selon les instructions. TOTO se réserve le droit d'effectuer toute inspection jugée nécessaire dans le but de déterminer la cause du défaut. TOTO ne facturera pas la main-d'oeuvre ou les pièces relatives à des réparations ou remplacements sous garantie. TOTO n'est pas responsable du coût du retrait, du retour et/ou de la réinstallation du produit.
3. Cette garantie ne s'applique pas aux éléments suivants :
 - a. Dommage ou perte résultant d'une catastrophe naturelle comme un incendie, un tremblement de terre, une inondation, la foudre, un orage électrique, etc.
 - b. Dommage ou perte résultant de tout accident, de toute utilisation non raisonnable, incorrecte, abusive ou négligente, ou de soins, de nettoyage ou d'entretien inappropriés du produit.
 - c. Dommage ou perte résultant des sédiments ou des corps étrangers présents dans un système de savon liquide.
 - d. Dommage ou perte résultant de l'installation inappropriée ou de l'installation du produit dans un environnement rude et/ou dangereux, ou le retrait, la réparation ou la modification inapproprié(e) du produit.
 - e. Dommage ou perte résultant de surtensions électriques, de la foudre ou d'autres actes qui ne constituent pas la faute de TOTO ou que le produit n'est pas conçu pour tolérer.
 - f. Dommage ou perte résultant de l'usure normale et habituelle, comme la réduction de la brillance, les rayures ou la décoloration au fil du temps dues à l'usure, les pratiques de nettoyage ou l'eau ou les conditions atmosphériques, y compris mais non de façon limitative, l'utilisation de javellisant, d'alcalis, de nettoyeurs acides, de nettoyeurs secs (en poudre) ou de tout autre nettoyeur abrasif, ou l'utilisation de brosses en nylon ou en métal.
4. Pour que cette garantie limitée soit valide, une preuve d'achat est nécessaire. TOTO vous encourage d'enregistrer la garantie à l'achat pour créer une trace de la propriété du produit à <http://www.totousa.com>. L'enregistrement du produit est complètement volontaire et le défaut d'enregistrement ne diminuera vos droits de garantie limitée.
5. CETTE GARANTIE VOUS DONNE DES DROITS LÉGAUX SPÉCIFIQUES. VOUS POURRIEZ AVOIR D'AUTRES DROITS VARIANT D'UN ÉTAT À L'AUTRE, D'UNE PROVINCE À L'AUTRE OU D'UN PAYS À L'AUTRE.
6. Pour obtenir une réparation sous garantie, vous devez emmener le produit ou le faire livrer en port payé à un centre de service TOTO avec une preuve d'achat (reçu d'achat original) et une lettre expliquant le problème, ou contacter un distributeur de TOTO ou un prestataire de service pour les produits, ou écrire directement à TOTO U.S.A., INC., 1155 Southern Road, Morrow, GA 30260 ou appeler (888) 295 8134 ou (678) 466-1300, si vous vous trouvez hors des États-Unis. S'il est impossible de retourner le produit à TOTO en raison de sa taille ou de la nature du défaut, la réception par TOTO d'un avis écrit du défaut accompagné de la preuve d'achat (reçu d'achat original) constitue la livraison. En pareil cas, TOTO pourrait choisir de réparer le produit sur le lieu où se trouve l'acheteur ou de payer le transport du produit vers un centre de service.

CETTE GARANTIE ÉCRITE CONSTITUE LA SEULE GARANTIE OFFERTE PAR TOTO. TOUTE RÉPARATION, TOUT REMPLACEMENT OU TOUT AUTRE AJUSTEMENT NÉCESSAIRE COUVERT PAR CETTE GARANTIE SERA LA SOLUTION EXCLUSIVE À LA DISPOSITION DE L'ACHETEUR ORIGINAL. TOTO N'EST PAS RESPONSABLE DE LA PERTE DU PRODUIT OU D'AUTRES DÉPENSES OU DOMMAGES ACCIDENTELS, PARTICULIERS OU CONSÉCUTIFS OCCASIONNÉS PAR L'ACHETEUR ORIGINAL, OU DE LA MAIN-D'OEUVRE OU DES AUTRES FRAIS DUS À L'INSTALLATION OU AU RETRAIT, OU DES FRAIS DE RÉPARATION PAR DES TIERS, OU DE TOUTE AUTRE DÉPENSE QUI N'EST PAS EXPRESSÉMENT MENTIONNÉE CI-DESSUS. EN AUCUNE CIRCONSTANCE LA RESPONSABILITÉ DE TOTO NE SERA SUPÉRIEURE AU PRIX D'ACHAT DU PRODUIT. SAUF DANS LA MESURE OÙ CELA EST INTERDIT PAR LA LOI EN VIGUEUR, TOUTE GARANTIE IMPLICITE, Y COMPRIS CELLE DE VALEUR MARCHANDE OU D'ADAPTATION À UN USAGE OU UN EMPLOI PARTICULIER, EST EXPRESSÉMENT EXCLUE. CERTAINS ÉTATS N'AUTORISENT PAS DE LIMITATIONS SUR LA DURÉE DE LA GARANTIE IMPLICITE OU L'EXCLUSION OU LA LIMITATION DES DOMMAGES INDIRECTS OU CONSÉCUTIFS; IL EST DONC POSSIBLE QUE LA LIMITATION ET L'EXCLUSION SUSMENTIONNÉES NE S'APPLIQUENT PAS À VOUS.

ÍNDICE

Obrigado por escolher TOTO!.....35	Procedimento de instalação..37
Avisos.....35	Cuidados e limpeza.....41
Antes da instalação.....35	Manutenção.....42
Peças incluídas.....36	Garantia.....45
Ferramentas que você precisará...36	Dimensões Aproximadas.....46
Especificações.....36	

OBRIGADO POR ESCOLHER TOTO!

A missão da TOTO é fornecer ao mundo estilos de vida saudáveis, higiênicos e mais confortáveis. Nós projetamos todos os produtos com o equilíbrio da forma e funcionamos como um princípio orientador. Parabéns pela sua escolha.

AVISOS

Para uma operação segura da faucet, observe o seguinte:

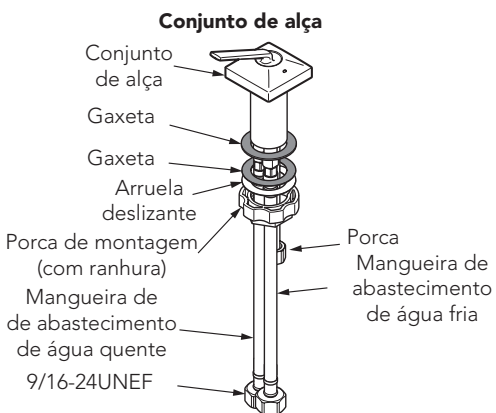
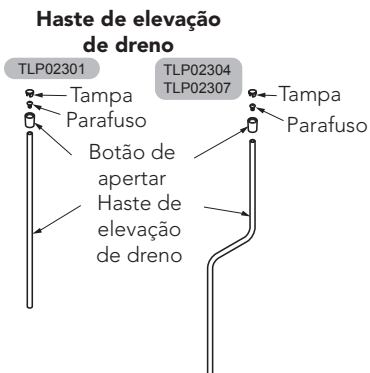
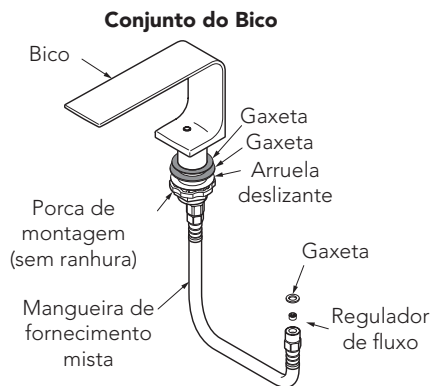
- Pressão de operação:
Pressão mínima 20 psi (138 kPa), dinâmico
Pressão máxima 80 psi (551 kPa), estático
- Não use o produto a uma temperatura ambiente abaixo de 32 ° F (0 ° C)

ANTES DA INSTALAÇÃO

- Observe todos os códigos locais de encanamento.
- Antes de instalar a torneira, certifique-se de esvaziar completamente os tubos de sujidade e detritos.
- Verifique se o fornecimento de água está desligado na válvula de parada.
- Leia atentamente estas instruções para garantir uma instalação adequada.
- A TOTO reserva-se o direito de atualizar o design do produto sem aviso prévio.

PEÇAS INCLUÍDAS

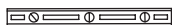
Certifique-se de ter as seguintes peças indicadas abaixo:



FERRAMENTAS QUE VOCÊ PRECISARÁ



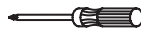
Ajustável
Chave



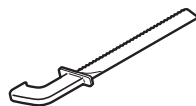
Nível



Fita
Medir



Chave
Phillips



Serra

ESPECIFICAÇÕES

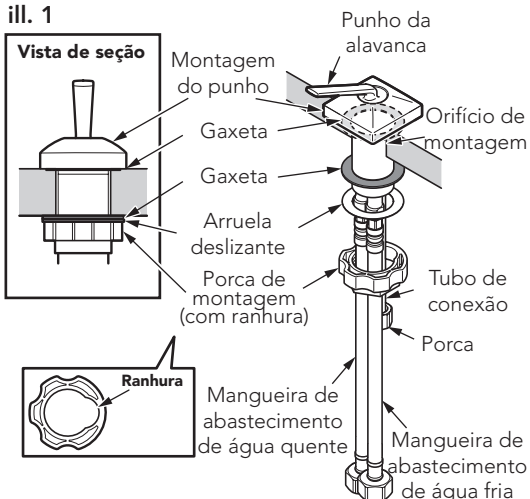
Pressão de Fornecimento de água	Mínimo exigido: 20 psi (138 kPa) (em vazão)
	Máximo permitido: 80 psi (551 kPa)
Conexão de Fornecimento de água	3/8 Comp
Temperatura Ambiente	32~104°F (0~40°C)
Umidade	Max. 90% RH
Vazão	Máximo 1,2 galão/min (4,5 L/min)

1. Monte o conjunto da alça.

(1) Insira as mangueiras de abastecimento de água QUENTE/FRIA no orifício de montagem.

(2) Passe as mangueiras de fornecimento de água QUENTE/FRIA pela gaxeta, a arruela deslizante e a porca de montagem (com ranhura) uma a uma. Depois, passe a porca do tubo de conexão pela ranhura e segure o conjunto da alça. (ill. 1)

ill. 1



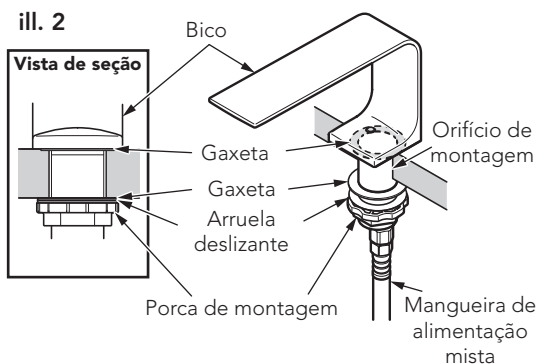
IMPORTANTE: Alinhe a posição do eixo de modo que o conjunto da alça chegue ao centro do orifício de montagem.

(3) Conecte as mangueiras às linhas de alimentação. A mangueira esquerda (marcada com faixa vermelha) é conectada ao fornecimento de água quente. A mangueira direita é conectada ao fornecimento de água fria. Aperte com a chave conforme necessário.

2. Montagem do conjunto do bico.

(1) Coloque a gaxeta, a arruela deslizante e a porca de montagem (sem ranhura) no bico e segure-o. (ill.2)

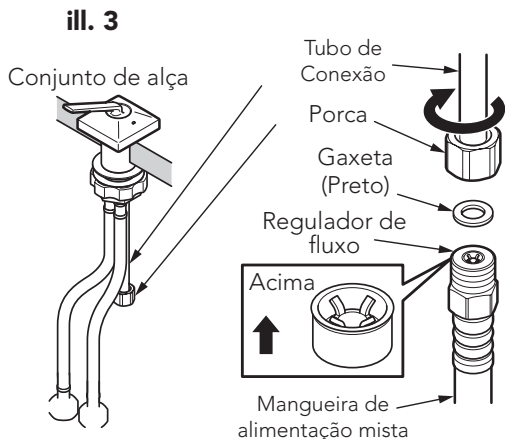
ill. 2



IMPORTANTE: Alinhe o bico para que ele saia do centro do orifício de montagem.

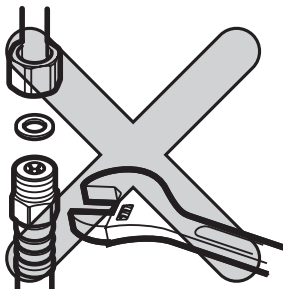
3. Conexão da mangueira de alimentação mista.

(1) Gire a porca do tubo de conexão e conecte a mangueira de fornecimento misto. (ill. 3)



Nunca gire a porca no lado da mangueira de fornecimento mista.

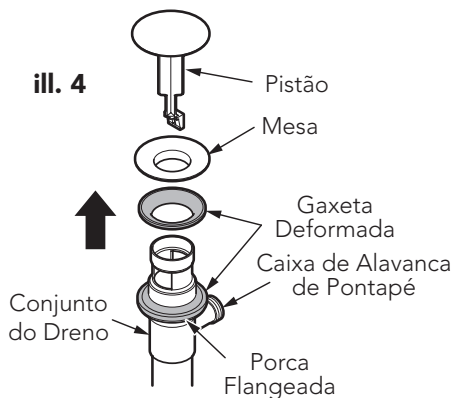
A mangueira pode torcer e causar vazamento de água.



PORTUGUÊS

4. Instale o conjunto do dreno.

(1) Remova o êmbolo, o flange e a junta do conjunto do dreno soltando a flange e puxando essas peças do dreno. (ill. 4)



PROCEDIMENTO DE INSTALAÇÃO

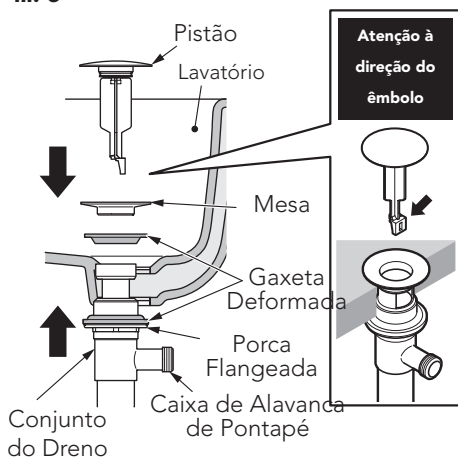
(2) Insira o corpo do dreno até o orifício de drenagem por baixo do lavatório. Se for necessário, gire a porca e empurre a arruela e a gaxeta (grossa) para baixo para permitir a folga.

Ao segurar o corpo do dreno no lugar, prenda o flange ao corpo do dreno da parte superior. Verifique se a gaxeta está entre o flange e o lavatório, como mostrado. Após o flange ficar totalmente encaixado, gire a porca abaixo do lavatório até fazer uma boa vedação. Não aperte demais!

(ill. 5)

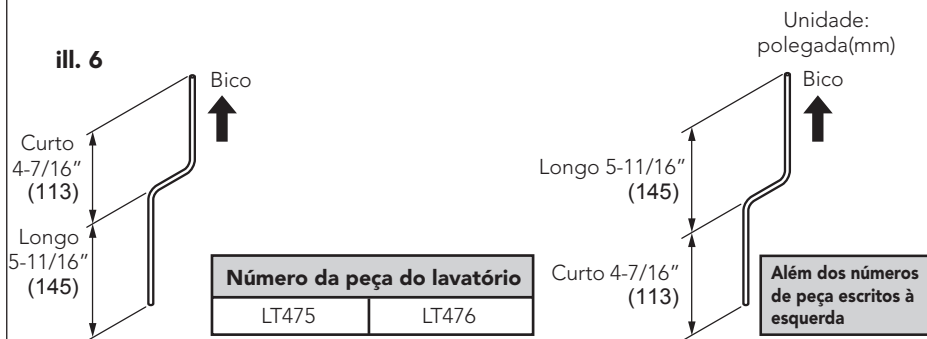
Reinsira o êmbolo se necessário.

ill. 5



(3) Monte a haste de elevação do dreno na direção correta. (ill. 6)

ill. 6



PORTUGUÊS

4. Instale o conjunto do dreno (contínuo)

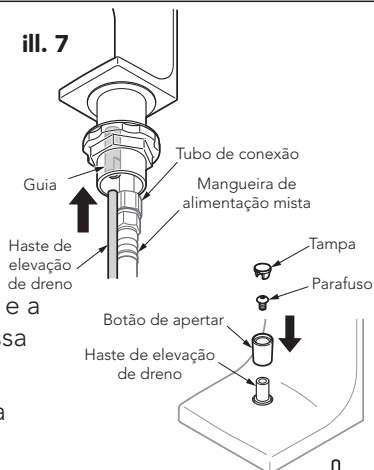
(a) Insira a haste de elevação do dreno no guia por baixo do corpo do bico.

(b) Monte o botão de pressão, o parafuso e a tampa na haste de elevação do dreno nessa ordem. (ill. 7)

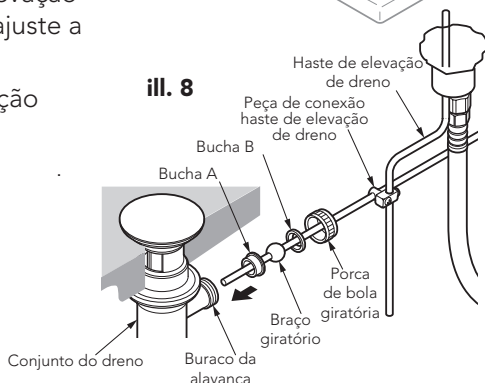
(c) Encaixe a bucha B, a porca giratória e a peça de conexão da haste de elevação do dreno no braço articulado e ajuste a bucha A no conjunto do dreno.

(d) Após passar a haste de elevação do dreno pela peça de conexão da haste de elevação do dreno, passe o braço de articulação pelo orifício do êmbolo da caixa da alavanca e prenda-a com a porca de bola giratória. (ill. 8)

ill. 7



ill. 8

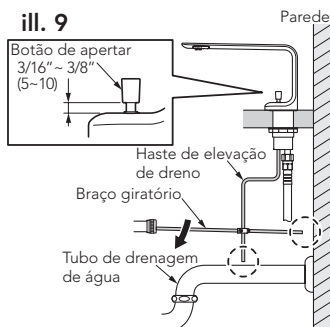


5. Conecte o conjunto do dreno.

(1) Ajuste a posição da haste de elevação do dreno de modo que a folga entre o bico e o botão de pressão seja $3/16'' - 3/8''$ (5 a 10 mm).

(2) Abaixar o braço articulado até a posição mais baixa na condição descrita na parte (a), prenda o parafuso da peça de conexão da haste de elevação do dreno para ancorar o braço articulado e a haste de elevação do dreno. (ill. 9)

ill. 9

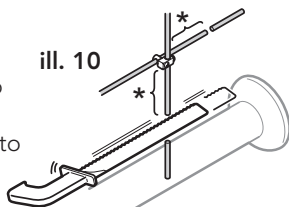


PRECAUÇÃO

Se a alavanca de arranque e a haste de elevação do dreno interferirem com a parede e o tubo de drenagem de água, corte-os até um comprimento que não interfiram. (ill. 10)

Verifique se a água está fluindo corretamente após a instalação da torneira.

ill. 10



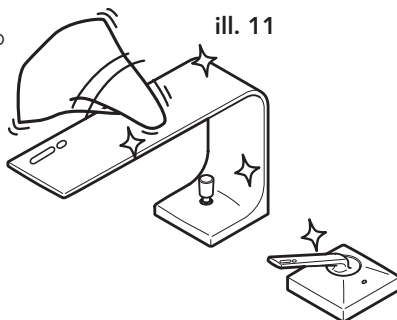
* Corte $3/8'' - 13/16''$ (10 ~ 20) dos acessórios de metal de ancoragem.

CUIDADOS E LIMPEZA

Limpe as peças regularmente para evitar o acúmulo de sujeira e limo.

Para limpeza diária, use um limpador neutro.

Os ácidos são ingredientes necessários dos materiais de limpeza para remoção de limo. No entanto, preste atenção nos seguintes pontos ao limpar acessórios (ill. 11):



- Use somente materiais de limpeza explicitamente recomendados para este tipo de aplicação.
- Nunca use materiais de limpeza que contenham ácido clorídrico, fórmico ou acético, pois podem causar danos consideráveis.
- Não use ácido fosfórico, pois também pode causar danos.
- Nunca use materiais ou aparelhos de limpeza com efeito abrasivo, como limpeza de pós, esponjas ou panos de microfibra.
- Siga as instruções do fabricante quanto ao material de limpeza.
- Ao usar produtos de limpeza de pulverização, pulverize primeiro sobre um pano macio ou uma esponja.
- Nunca pulverize diretamente nos encaixes, pois as gotas podem entrar nas aberturas e fendas e causar danos.
- Após a limpeza, enxágue completamente com água limpa para remover qualquer resíduo de limpeza.
- Os componentes com superfícies danificadas devem ser trocados, caso contrário, isso pode causar uma avaria. Os danos causados por tratamento inadequado não serão cobertos pela garantia.



Verifique a sua torneira pelo menos uma vez por mês quanto aos possíveis problemas descritos a seguir e faça os seguintes procedimentos de manutenção:

Inspecione de vazamentos

- Verifique todas as conexões de água para detectar sinais de vazamento. (il. 12)

Frouidão do produto

- Verifique se há peças que parecem anormais ou frouxas, em comparação ao período inicial de uso do produto. (il. 13)

Aperte o conjunto da alça e do bico

- Se o bico ou a alça estiver solto, aperte a porca de montagem embaixo do conjunto do bico ou da alça.

Se continuar a usar o produto com tubulação solta, a carga é aplicada ao(s) tubo(s) e pode resultar em vazamento de água.

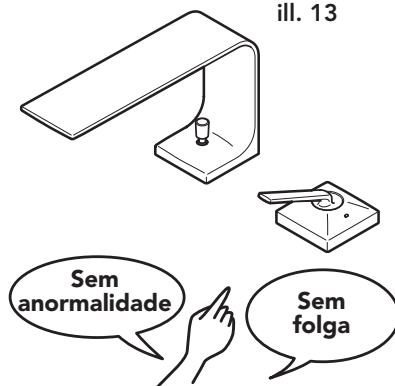
Se deixar qualquer anormalidade como a folga não fixada, a peça pode quebrar ou superfícies revestidas podem rachar, prejudicando você.

Se encontrar uma peça solta, retire a tampa e aperte o parafuso que fixa o corpo principal. Caso a folga não possa ser reparada, peça ao seu revendedor ou vendedor para fazer reparos (sujeito a cobrança).

ill. 12



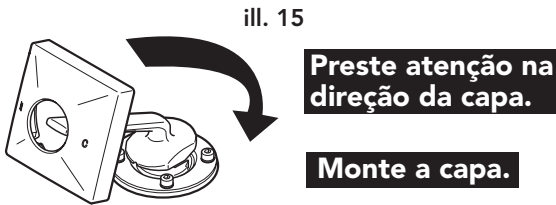
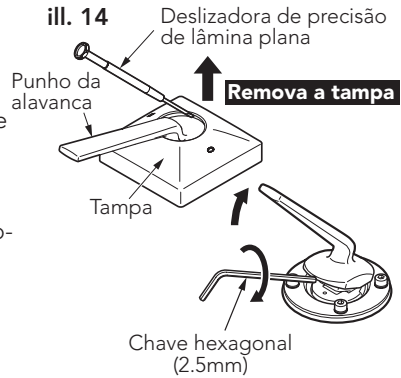
ill. 13



A Como proteger a alça da alavanca.

Feche a válvula de bloqueio antes de começar a trabalhar.

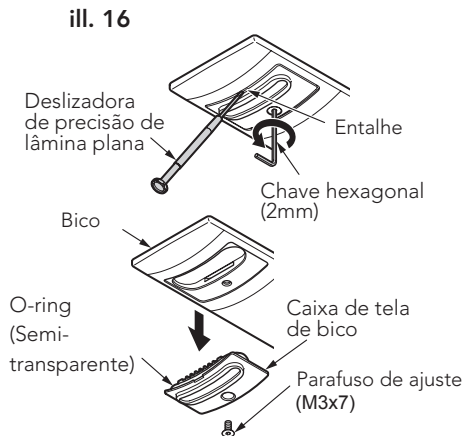
1. Insira uma chave de fenda na folga entre a alça da alavanca e a tampa, e levante e remova a tampa. (il. 14)
2. Levante a alça da alavanca e aperte o parafuso de ajuste com uma chave hexagonal (2,5 mm)
3. Passe a tampa sobre a alça da alavanca, pressione-a na superfície do contador e monte-a. (il. 15)



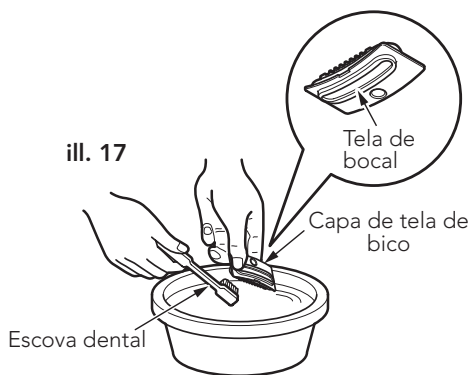
B Para limpar a tela do bocal:

1. Solte e remova o parafuso de ajuste usando uma chave hexagonal (2 mm). (il. 16)
2. Insira a chave de fenda de precisão de lâmina plana no entalhe entre a caixa da tela do bocal e o bico e remova a caixa da tela do bocal.

Preste atenção para não perder o O-ring da caixa da tela do bocal.

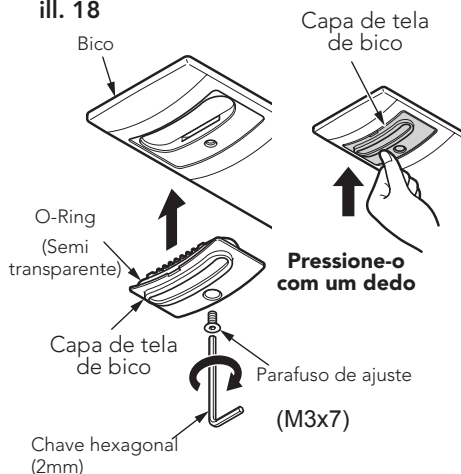


ill. 17



3. Remova a sujeira e os detritos coletados na tela do bocal usando uma escova de dentes, etc. (il. 17)

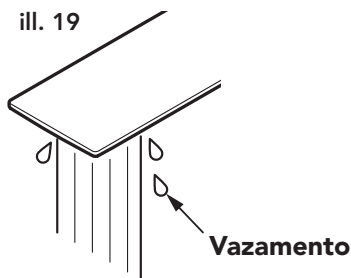
ill. 18



4. Monte a caixa da tela do bocal no bico e trave-a no lugar com o parafuso de ajuste.

Pressione a caixa da tela do bocal no bico com um dedo e aperte o parafuso de ajuste. (il. 18)

ill. 19



5. Quando a montagem do trabalho for concluída, verifique se há vazamentos de água na tela do bocal. Se a caixa da tela do bocal não estiver montada corretamente, monte novamente. (il. 19)

GARANTIA

TOTO DO BRASIL DISTRIBUIÇÃO E COMÉRCIO, LTDA.

GARANTIA LIMITADA DE TRÊS ANOS

A garantia se aplica somente às Válvulas de Descarga Eletrônicas, Torneiras e Distribuidores de Sabão.

1. A TOTO garante suas válvulas de descarga eletrônicas, torneiras e dispensadores de sabão ("Produto") contra defeitos de material e de fabricação durante o uso normal quando instalados e submetidos à manutenção adequada, por um período de três (3) anos à partir da data da compra. Esta garantia limitada é estendida apenas ao COMPRADOR ORIGINAL do Produto e não é transferível a terceiros, incluindo, mas não limitado a, qualquer comprador ou proprietário subsequente do Produto. Esta garantia se aplica somente a Produtos da TOTO comprados e instalados no Brasil.
2. As obrigações da TOTO sob esta garantia estão limitadas a reparos, substituições ou outros ajustes apropriados, a critério da TOTO, do Produto ou de peças que apresentem defeitos durante o uso normal, contanto que tal Produto tenha sido instalado, usado e submetido à manutenção adequada de acordo com as instruções. A TOTO se reserva o direito de realizar tais inspeções conforme necessário para determinar a causa do defeito. A TOTO não cobrará pela mão de obra ou por peças relacionadas a reparos ou substituições em garantia. A TOTO não é responsável pelo custo de remoção, devolução e/ou reinstalação do Produto.
3. Esta garantia não se aplica aos seguintes itens:
 - a. Danos ou perdas sofridos em desastres naturais como incêndios, terremotos, enchentes, trovoadas, tempestades elétricas etc.
 - b. Danos ou perdas resultantes de quaisquer acidentes, uso excessivo, uso indevido, abuso, negligência ou de cuidados, limpeza ou manutenção inadequada do Produto.
 - c. Danos ou perdas resultantes de sedimentos ou corpos estranhos contidos em um sistema hidráulico.
 - d. Danos ou perdas resultantes de instalação inadequada ou instalação do Produto em um ambiente severo e/ou de risco, ou de remoção, reparos ou modificações inadequados do Produto, o que inclui o uso de componentes não originais da TOTO.
 - e. Danos ou perdas resultantes de oscilações de energia ou quedas de raios ou outros atos que não sejam de responsabilidade da TOTO ou os quais o Produto não seja especificado para suportar.
 - f. Danos ou perdas resultantes do desgaste normal e habitual, como redução do brilho, arranhões ou desbotamento ao longo do tempo devido ao uso, práticas de limpeza ou água ou condições atmosféricas, incluindo, mas não limitados a, o uso de alvejantes, álcali, limpadores ácidos, limpadores a seco (pó) ou quaisquer outros limpadores abrasivos ou o uso de esponjas de metal ou nylon.

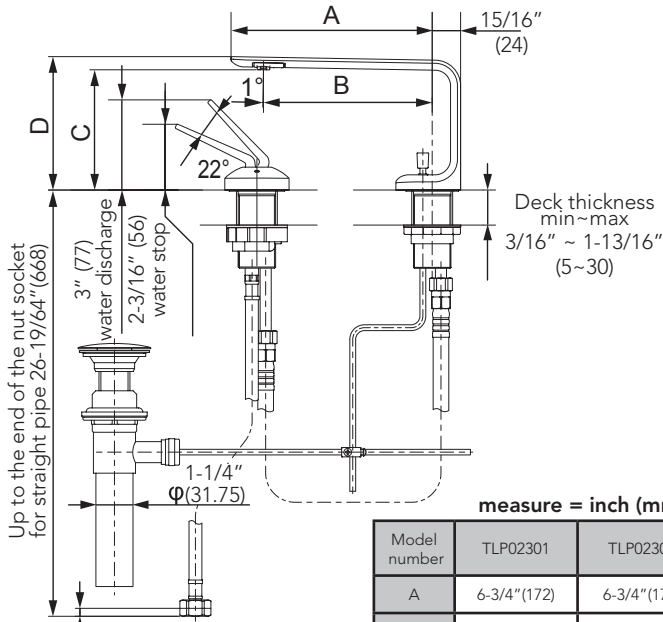
Para obter o serviço de reparos da garantia sob esta garantia, por favor envie um e-mail para suporte@br.toto.com para obter instruções sobre como proceder com sua reivindicação. Você pode ser instruído a (1) levar o Produto ou fazer a entrega pré-paga a um prestador de serviços da TOTO juntamente com o comprovante de compra (recibo de compra original) e uma carta declarando o problema; (2) entrar em contato com um distribuidor ou prestador de serviços de produtos da TOTO; ou (3) se, devido ao tamanho do Produto ou natureza do defeito, o Produto não puder ser devolvido a um centro de assistência autorizado da TOTO, a TOTO pode optar por reparar o Produto no local do comprador ou pagar pelo transporte do Produto para uma prestadora de serviços.

ATENÇÃO! A TOTO não é responsável por qualquer defeito de, ou dano a, esse Produto causado por cloraminas no tratamento do fornecimento público de água ou limpadores contendo cloro (hipoclorito de cálcio). **ATENÇÃO: O uso de alta concentração de cloro graves.**

ESTA GARANTIA POR ESCRITO É A ÚNICA GARANTIA FEITA PELA TOTO. REPAROS, SUBSTITUIÇÕES OU OUTROS AJUSTES APROPRIADOS CONFORME FORNECIDOS SOB ESTA GARANTIA SERÃO O ÚNICO RECURSO DISPONÍVEL AO COMPRADOR ORIGINAL. A TOTO NÃO SERÁ RESPONSÁVEL PELA PERDA DO PRODUTO OU POR OUTROS DANOS OU GASTOS INCIDENTAIS, ESPECIAIS OU CONSEQUENTES INCORRIDOS PELO COMPRADOR ORIGINAL OU POR CUSTOS DE MÃO DE OBRA OU OUTROS DEVIDO À INSTALAÇÃO OU REMOÇÃO, OU CUSTOS DE REPAROS FEITOS POR TERCEIROS, OU POR QUALQUER OUTRO GASTO NÃO DECLARADO ESPECIFICAMENTE ACIMA. EM NENHUM CASO A RESPONSABILIDADE DA TOTO EXCEDERÁ O PREÇO DE COMPRA DO PRODUTO. EXCETO QUANTO À EXTENSÃO PROIBIDA POR LEI APLICÁVEL, QUALQUER GARANTIAS IMPLÍCITAS, INCLUINDO A DE COMERCIALIZABILIDADE OU ADEQUAÇÃO PARA USO OU PARA UMA FINALIDADE ESPECÍFICA, SÃO EXPRESSAMENTE ISENTAS. ALGUNS PAÍSES, REGIÕES, ESTADOS ETC. NÃO PERMITEM LIMITAÇÕES SOBRE A DURAÇÃO DE UMA GARANTIA IMPLÍCITA OU A EXCLUSÃO OU LIMITAÇÃO DE DANOS INCIDENTAIS OU CONSEQUENTES, PORTANTO, A LIMITAÇÃO E A EXCLUSÃO ACIMA PODEM NÃO SE APLICAR A VOCÊ.

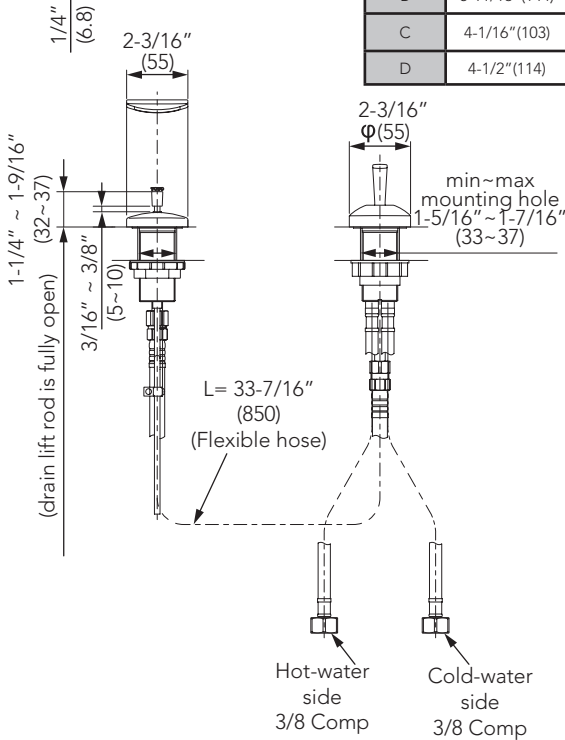
PORTUGUÊS

ROUGH-IN DIMENSIONS / BOSQUEJO ROBINETTERIE BRUTE / DIMENSÕES APROXIMADAS



measure = inch (mm)

Model number	TLP02301	TLP02304	TLP02307
A	6-3/4"(172)	6-3/4"(172)	7-9/16"(192)
B	5-11/16"(144)	5-11/16"(144)	6-7/16"(164)
C	4-1/16"(103)	6-7/16"(163)	8-3/8"(213)
D	4-1/2"(114)	6-7/8"(174)	8-13/16"(224)



TOTO

TOTO U.S.A., Inc. 1155 Southern Road,
Morrow, Georgia 30260
Tel: 888-295-8134 Fax: 800-699-4889
www.totousa.com

0GU4272

Rev A



03P51E

Warranty Registration and Inquiry

For product warranty registration, TOTO U.S.A. Inc. recommends online warranty registration. Please visit our web site <http://www.totousa.com>. If you have questions regarding warranty policy or coverage, please contact TOTO U.S.A. Inc., Customer Service Department, 1155 Southern Road, Morrow, GA 30260 (888) 295-8134 or (678) 466-1300 when calling from outside of U.S.A.