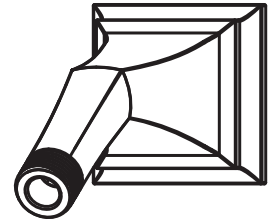




SYMMONS® Oxford™

Showerhead Mounting Bracket 422SA

Specification Submittal



Feature Highlights

- Showerhead mounting bracket
- Metal construction with polished chrome finish

Model Numbers

- 422SA..... Showerhead mounting bracket

Finish Options

Append appropriate -suffix to model number.

- STN Satin nickel finish
- ORB Oil rubbed bronze finish

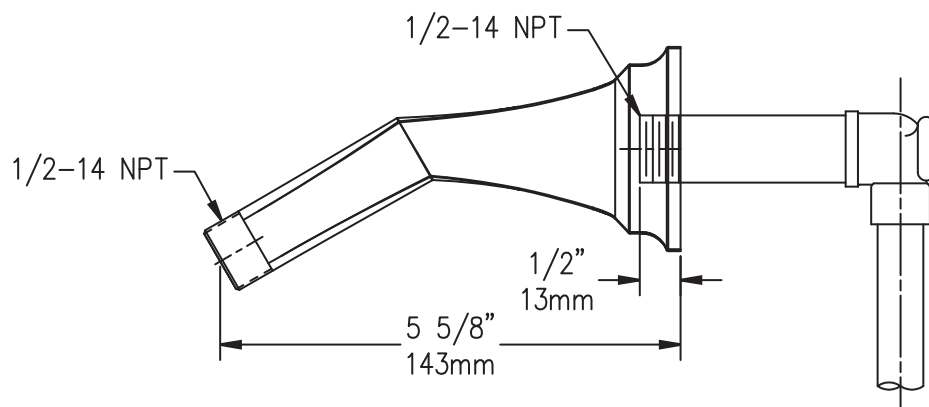
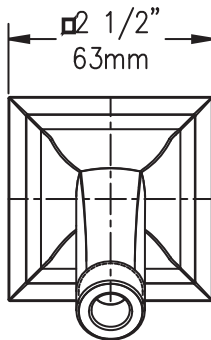
Standards / Certifications

ASME A112.18.1-2005/CSA B125.1-05

Warranty

- Limited Lifetime - to the original end purchaser in consumer installations.
- 5 years - for commercial installations

Dimensions Oxford Showerhead Mounting Bracket, 422SA



Note: Dimensions subject to change without notice.

Symmons Industries, Inc. ■ 31 Brooks Drive ■ Braintree, MA 02184
 (800) 796-6667, (781) 848-2250 ■ Fax (800) 961-9621, (781) 843-3849
 Website: www.symmons.com ■ Email: customerservice@symmons.com

©2008 Symmons Industries, Inc. Printed in U.S.A. ■ 070708



SYMMONS®
the smart choice™