

5406-TRM, 5406TRMTC  
Tub/Shower/Hand Shower Trim  
**Specification Submittal**



### Feature Highlights

- Degas Tub/Shower/Hand Shower Trim
- Requires Temptrol® Pressure Balancing Tub/Shower Valve
- Requires Symmons Triple Outlet Diverter Valve
- Metal lever handles
- Cradle for hand shower wand
- 8-1/8" non-diverter tub spout
- Dual checks for backflow protection
- 60" flexible metal hose
- 1 mode hand shower wand
- 1 mode showerhead
- 2.5 gpm (9.5 L/min) flow restrictors
- Components shall be metal and nonmetallic construction, plated in standard Polished Chrome finish
- Available with TA-10 flow control spindle and T-12A cap assembly for Temptrol valve bodies installed with Test Cap (order p/n 5406TRMTC)
- For optional in-line vacuum breaker order p/n EF-109

### Model Numbers

- 5406-TRM**  
Tub/Shower/Hand Shower Trim,  
Temptrol Pressure Balancing Tub/Shower Valve and  
Symmons Triple Outlet Diverter valve ordered separately
- 5406TRMTC**  
Tub/Shower/Hand Shower Trim with TA-10 flow control spindle and  
T-12A cap assembly, must order Temptrol valve with Test Cap

### Compliance



- ASME A112.18.1/CSA B125.1



### Warranty

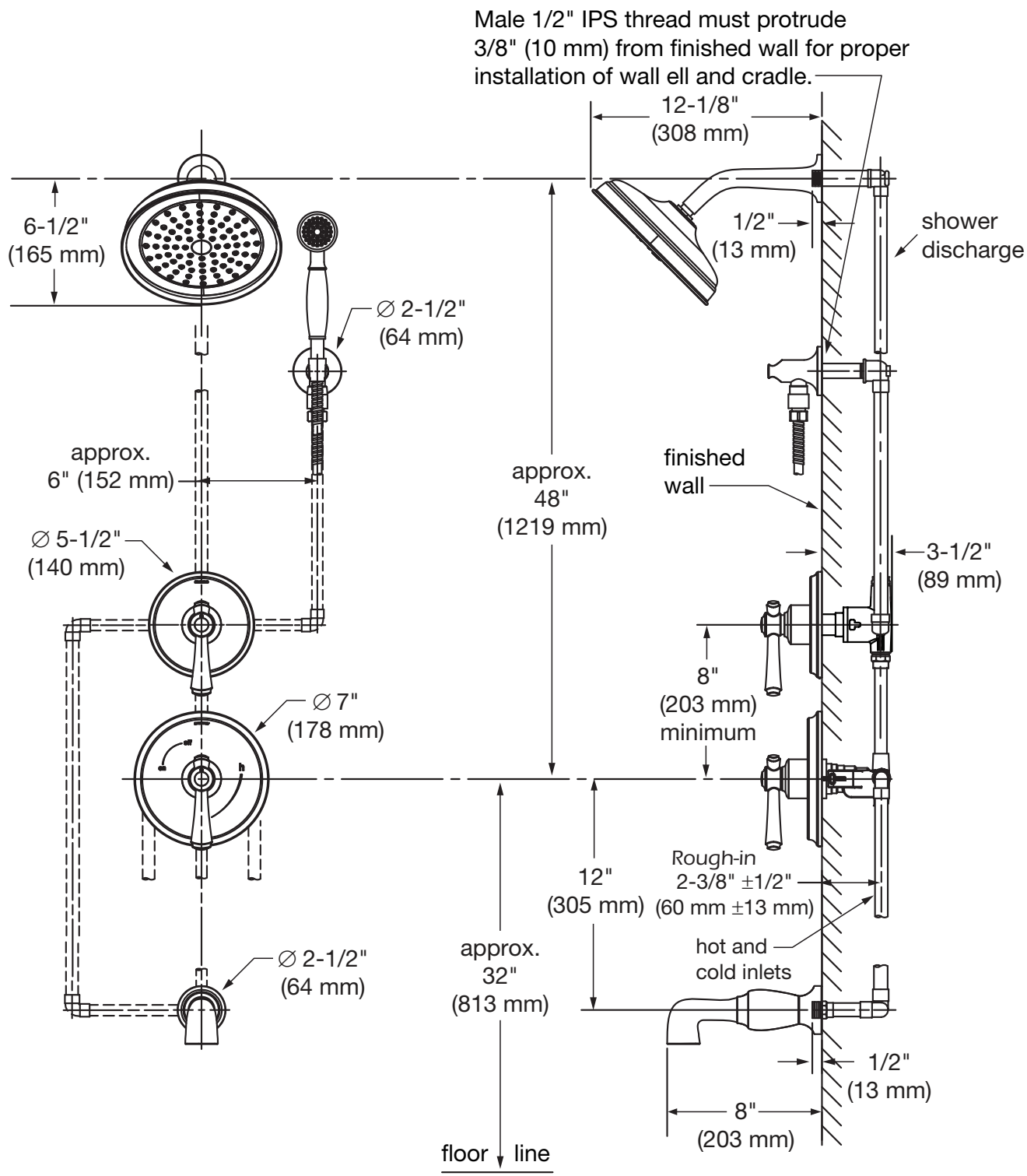
**Limited Lifetime** - to the original end purchaser in consumer/residential installations.  
**5 Years** - for industrial/commercial installations.  
 Refer to [www.symmons.com/warranty](http://www.symmons.com/warranty) for complete warranty information.  
 Go to [www.symmons.com/register](http://www.symmons.com/register) to register your Symmons product.

### Options/Modifications

- 1.5**  1.5 gpm (5.7 L/min) flow restrictor
- 2.0** 2.0 gpm (7.6 L/min) flow restrictor
- 72** 72" hose in place of 60" hose
- ADACHS** ADA hand shower wand (chrome)
- ADAHS** ADA hand shower wand (white)
- H321-V** 1 mode hand shower unit with slide bar
- H323-V** 3 mode hand shower unit with slide bar
- H323-V-48** 3 mode hand shower unit with 48" slide bar
- H3524** 24" decorative slide/grab bar with ADA wand
- H3536** 36" decorative slide/grab bar with ADA wand
- H521-V** 30" slide bar in place of wall cradle
- L1** Less showerhead
- L2** Less hand shower wand
- L3** Less showerhead & hand shower wand
- LP**  Loop handle
- QD** Quick-disconnect on hand shower units
- R** 60" white vinyl hose in place of 60" metal hose
- REB** Rebuild trim kit, includes TA-10 and TA-4
- T724** 24" slide bar/grab bar with ADA wand
- T736** 36" slide bar/grab bar with ADA wand
- T748** 48" slide bar/grab bar with ADA wand
- VB** Elevated vacuum breaker
- VP** Vandal resistant escutcheon screws in place of standard screws
- STN** Satin Nickel finish

**Note:** Append appropriate -suffix to model number.

## Dimensions



### Notes:

- 1) Valve body and piping not included and shown as reference only.
- 2) Plaster shield (p/n T-176) for dry wall, plaster or other type walls 1/2" or greater.
- 3) All dimensions measured from nominal rough-in.
- 4) Dimensions subject to change without notice.