

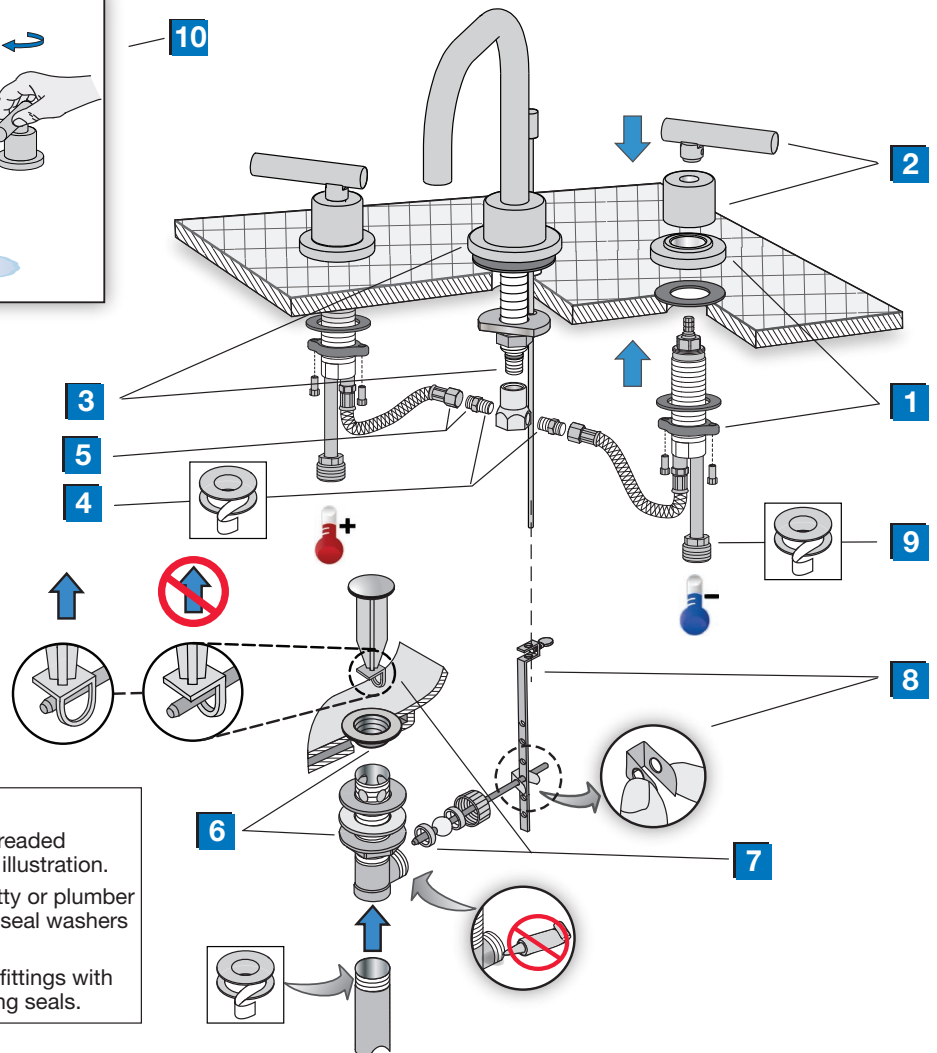
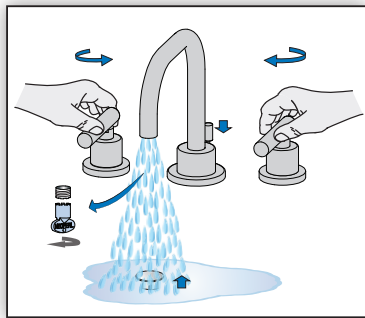


SLW-3512-1.5, SLW-3510-1.5
Two Handle Widespread Lavatory Faucet
Installation Brief



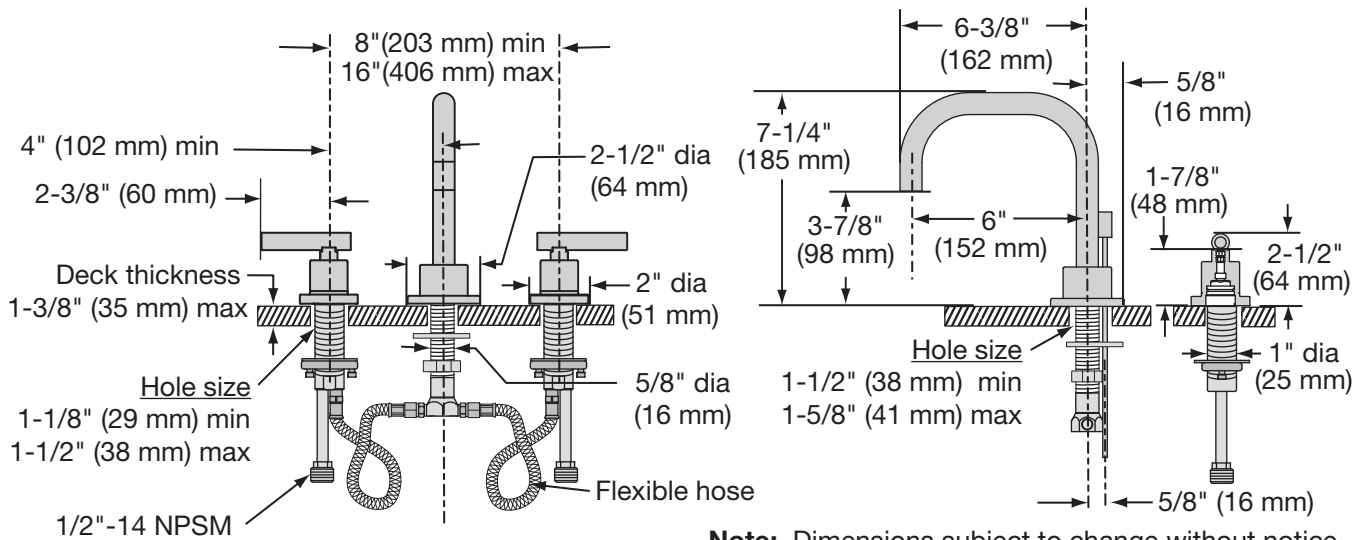
<p>Model Number</p> <p><input type="checkbox"/> SLW-3512-1.5 <i>Two Handle Widespread Lavatory Faucet with Lift Rod and Metal Drain Assembly</i></p> <p><input type="checkbox"/> SLW-3510-1.5 <i>Two Handle Widespread Lavatory Faucet without Lift Rod Hole and Metal Drain Assembly</i></p>	<p>Tools & Materials</p>	<p>Need Help?</p> <p>Contact Symmons customer service at Phone: (800) 796-6667 Email: gethelp@symmons.com Monday - Friday 7:30 am - 6:00 pm EST</p> <p> Please check Symmons website for technical help, the latest product information and warranty policy. www.symmons.com/service</p>
--	-------------------------------------	---

Quick Install Guide Two Handle Widespread Lavatory Faucet



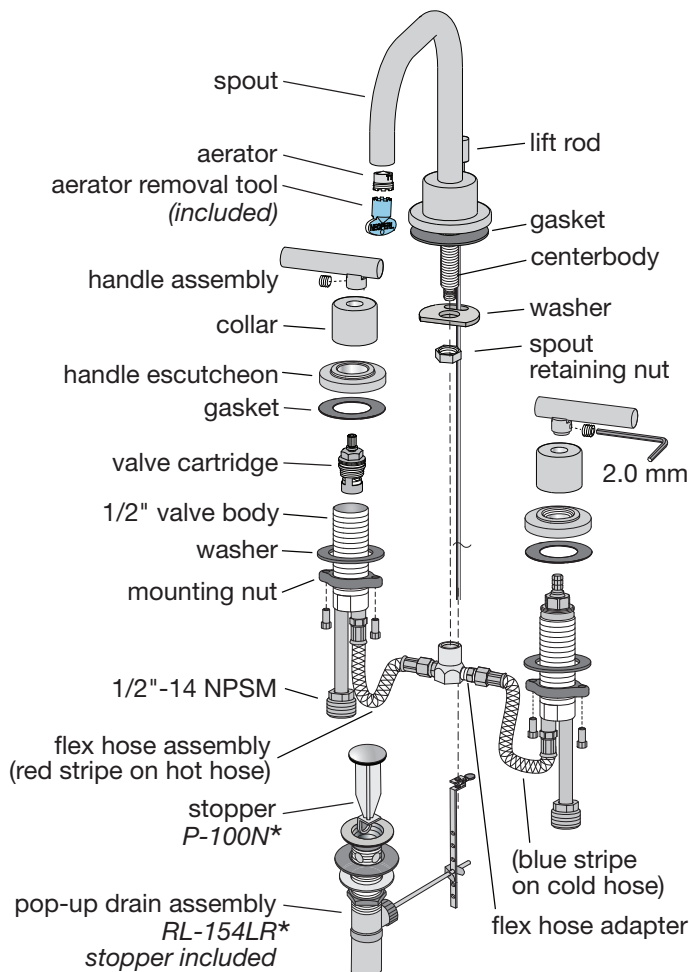
- Installation notes:**
- 1) Apply plumber tape to threaded connections as shown in illustration.
 - 2) DO NOT use plumber putty or plumber tape on fittings with face seal washers or o-ring seals.
 - 3) DO NOT OVERTIGHTEN fittings with face seal washers or o-ring seals.

Dimensions Dia Two Handle Widespread Lavatory Faucet



Note: Dimensions subject to change without notice.

Parts Assembly Dia Two Handle Widespread Lavatory Faucet



Replacement Parts

Part Number	Item
RL-058*	handle assembly handle screw collar escutcheon gasket
LN-333-KIT FLR-102-1.5-KIT FLR-102-0.5	aerator & removal tool flow rates 2.2 gpm (8.3L /min) 1.5 gpm (5.7L /min) 0.5 gpm (1.9L /min)
KN-114 (hot) OFF = CW KN-113 (cold) OFF = CCW	valve cartridge KN-113 identified by groove
LN-341*	Lift rod

Ordering replacement parts:

Call Symmons customer service at (800) 796-6667 Monday-Friday, 7:30 am - 6:00 pm EST or check our website at www.symmons.com for a list of Symmons distributors.

Note: When ordering replacement parts for faucets with an optional decorative finish, append appropriate three letter finish suffix code to part numbers marked with an asterisk ().

For California Residents

WARNING: This product contains chemicals known to the State of California to cause cancer, birth defects, or other reproductive harm.

Symmons Industries, Inc. ■ 31 Brooks Drive ■ Braintree, MA 02184 ■ Phone: (800) 796-6667 ■ Fax: (800) 961-9621
Copyright © 2018 Symmons Industries, Inc. ■ symmons.com ■ gethelp@symmons.com ■ ZV-1038 REV F ■ 012618