

S0181-OTS-2.0-TRM (CDS0181-3602-OTS-2.0-TRM)

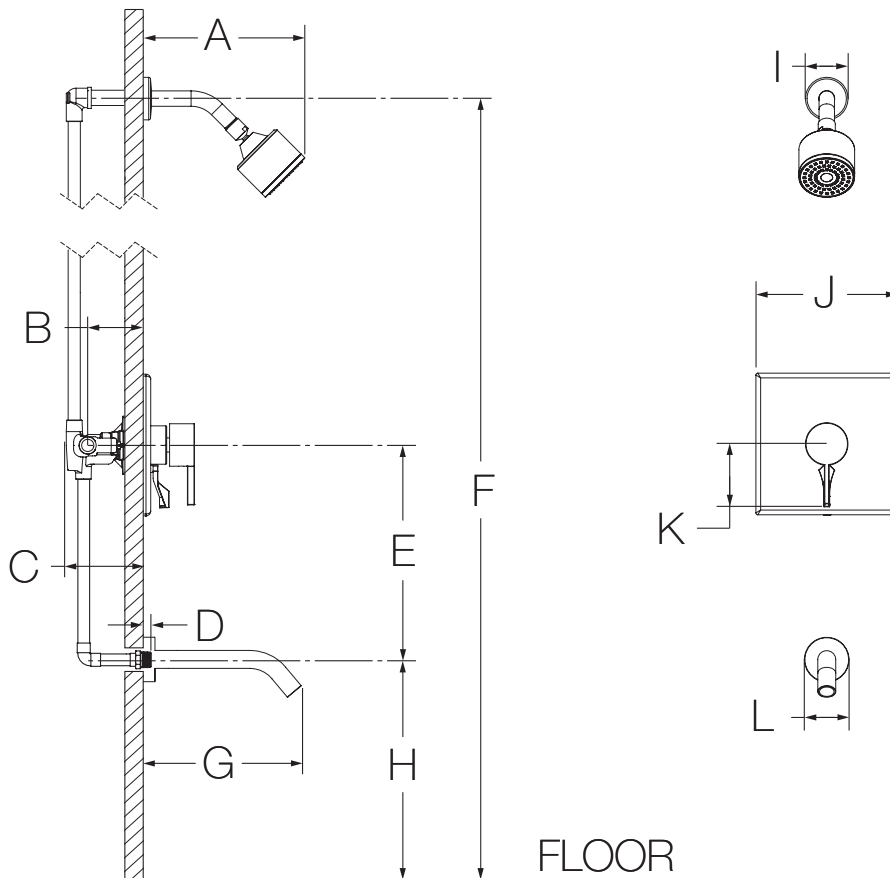
Tub/Shower Trim
Installation Guide



| Model Numbers | Specification |
|--|---|
| <input type="checkbox"/> S0181-OTS-2.0-TRM <i>Tub/Shower Trim</i> | Tub/Shower Trim shall include metal lever handle, 8" non-diverter tub spout, 1 mode showerhead and 2.0 gpm (7.6 L/min) flow restrictor. Tub/Shower trim shall be made from metal construction, plated in standard polished chrome finish. |
| Warranty Limited Lifetime - to the original end purchaser in consumer/residential installations. 5 Years - for industrial/commercial installations. Refer to www.symmons.com/warranty for complete warranty information. | |



Dimensions

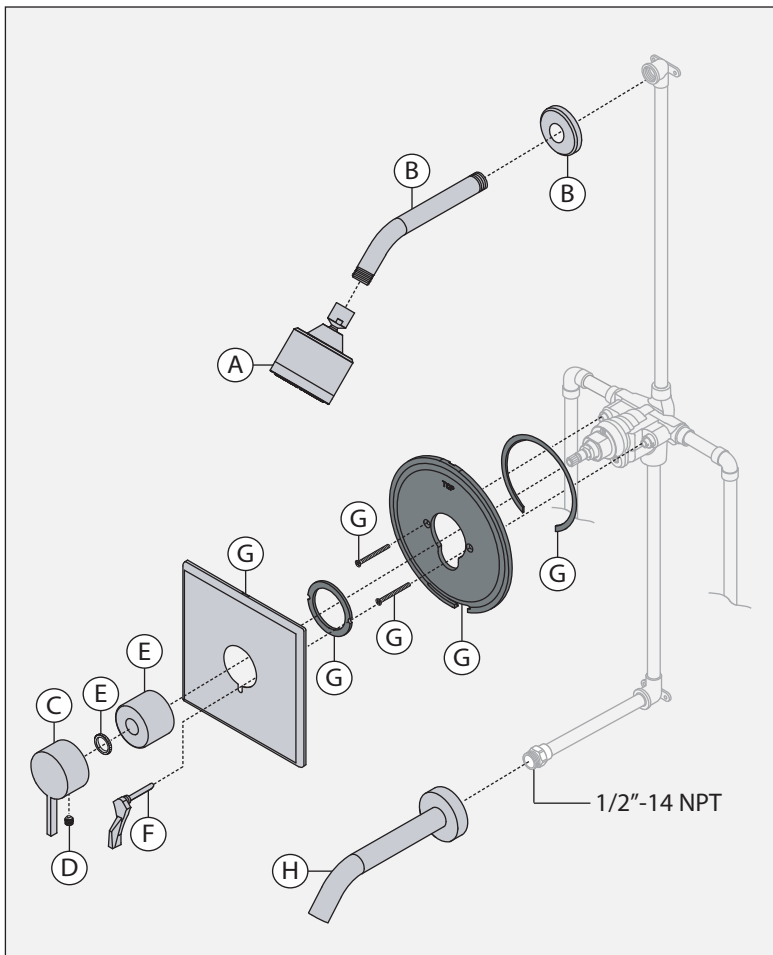


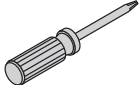

| Measurements | |
|--------------|--|
| A | 8-1/2", 216 mm |
| B | Rough-in 2-3/8" ± 1/2", 60 mm ± 13 mm |
| C | 3-1/2", 89 mm |
| D | 1/2", 13 mm |
| E | Ref. 12", 305 mm |
| F | Ref. 77", 1956 mm |
| G | 8-3/8", 212 mm |
| H | Ref. 32", 813 mm |
| I | Ø 2-1/4", 57 mm |
| J | 7-1/2", 191 mm |
| K | 3-3/16", 81 mm |
| L | Ø 2-3/8", 60 mm |

Notes:

- 1) All dimensions measured from nominal rough-in (see B as reference).
- 2) Dimensions subject to change without notice.

Parts Breakdown



| Replacement Parts | | |
|---------------------------------|--|-------------|
| Item | Description | Part Number |
| A | Showerhead | 352SH-2.0 |
| B | Shower Arm & Flange | 300 |
| C | Handle | RTS-021 |
| D | Set Screw | RTS-021 |
| E | Lock Nut & Dome Cover | T-19/20 |
| F | Diverter Handle | T-30 |
| G | Escutcheon Kit | RTS-002 |
| H | Tub Spout | OTS |
| Tools Required for Installation | | |
| Allen Wrench: Handle (3mm) |  | |
| Phillips Head Screwdriver |  | |
| Plumber Tape |  | |
| Silicone |  | |

Notes:

- 1) Apply a bead of silicone around the perimeter of all shower trim installed flush to the finished wall (less mounting plates and brackets). Leave opening on bottom of escutcheon for weep hole.
- 2) Apply plumber tape to all threaded connections.

For California Residents

WARNING: This product contains chemicals known to the State of California to cause cancer, birth defects, or other reproductive harm.