

## Sentinel Mark II® Pressure Balance Shower Valve

### MODELS:

- CPV-PB: Pressure Balance Shower Valve  
Sweat & Thread Connections
- CPV-PB-PXC: Pressure Balance Shower Valve  
PEX F1807 Crimp Inlet Connections
- CPV-PB-PXE: Pressure Balance Shower Valve  
PEX F1960 Cold-Expansion Inlet Connections

### FEATURES:

- Brass body construction
- Four port valve with sweat & thread, PXC or PXE inlet connections (depending on model), and sweat & thread shower and tub outlets
- Pressure balancing piston and temperature regulating ceramic cartridge with built-in check stops
- Adjustable temperature limit stop to control maximum temperature setting
- Integral stops allow water shut off for servicing valve
- Supports back-to-back installation
- Includes rough-in template and 1/2" pipe cap

### TRIM OPTIONS:

- |              |               |
|--------------|---------------|
| • CPT-1000-P | • CPT-10000-P |
| • CPT-1001   | • CPT-24000   |
| • CPT-3001   | • CDCPT25001  |
| • CPT-7000-P | • CDCPT25003  |
| • CPT-8000-P | • CPT-27000   |
| • CPT-8001-P |               |
| • CPT-12001  |               |

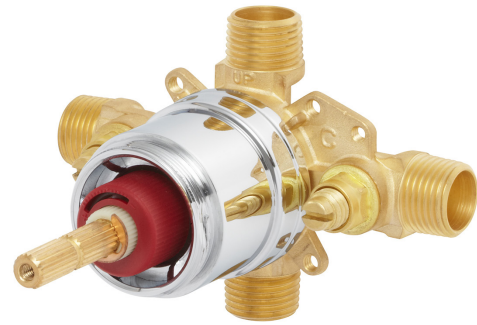
### STANDARDS:

- ASME A112.18.1/CSA B125.1 certified
- ASSE 1016 certified

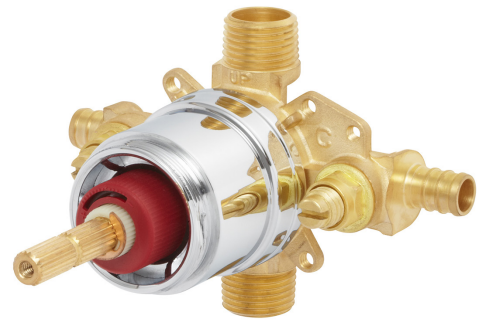
### WARRANTY:

Visit [speakman.com](http://speakman.com) for full product warranty information

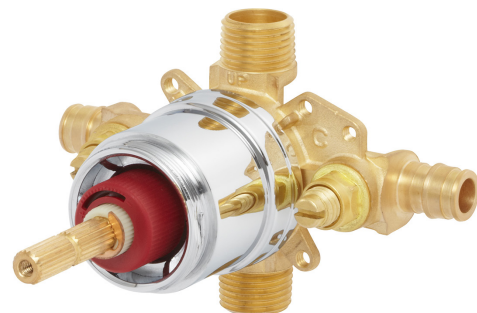
- 5 Year Limited Warranty (commercial)
- 5 Year Limited Warranty (residential)



CPV-PB



CPV-PB-PXC



CPV-PB-PXE

1. All dimensions are in inches (millimeters) unless otherwise specified and are subject to change without notice. 2. For ADA mounting locations, consult ADAAG, ANSI A117.1, and state regulations.

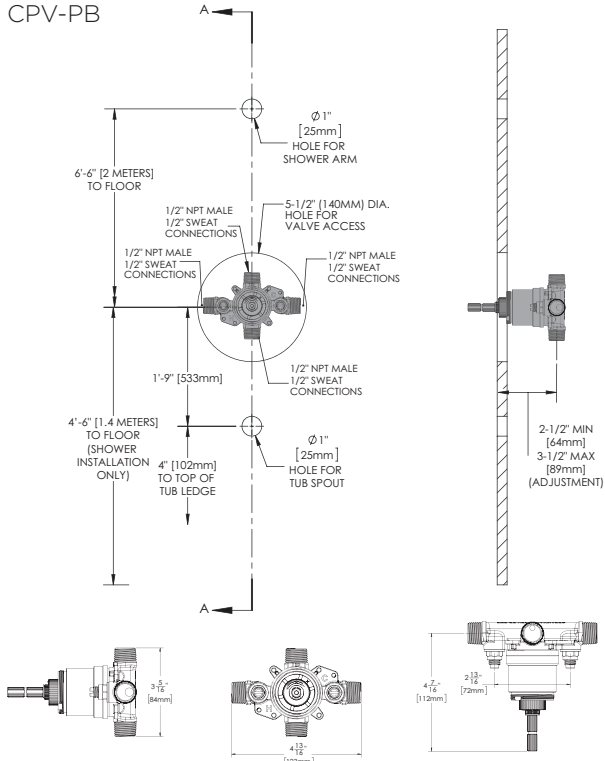
Architect/Engineer Approval Space:

SPEAKMAN  
400 ANCHOR MILL ROAD  
NEW CASTLE, DE 19720

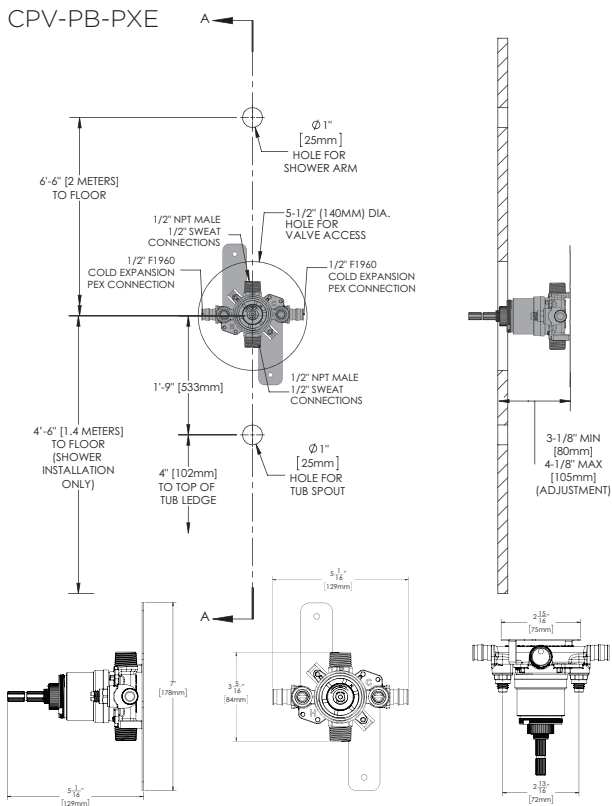
P: 800-537-2107  
F: 800-977-2747  
W: WWW.SPEAKMAN.COM  
R: 02-JULY 2018

## Sentinel Mark II® Pressure Balance Shower Valve

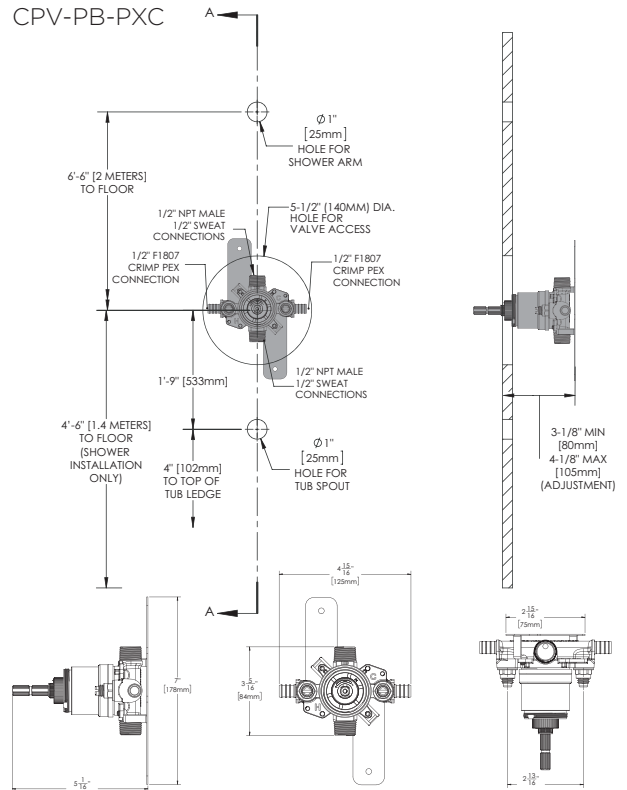
### CPV-PB



### CPV-PB-PXE



### CPV-PB-PXC



1. All dimensions are in inches (millimeters) unless otherwise specified and are subject to change without notice. 2. For ADA mounting locations, consult ADAAG, ANSI A117.1, and state regulations.

Architect/Engineer Approval Space:

SPEAKMAN  
400 ANCHOR MILL ROAD  
NEW CASTLE, DE 19720

P: 800-537-2107  
F: 800-977-2747  
W: WWW.SPEAKMAN.COM  
R: 02-JULY 2018