



4-Hole Bathtub Filler with Handshower & Lever Handles

ROHL Perrin & Rowe® Bath

U.3248L

FEATURES

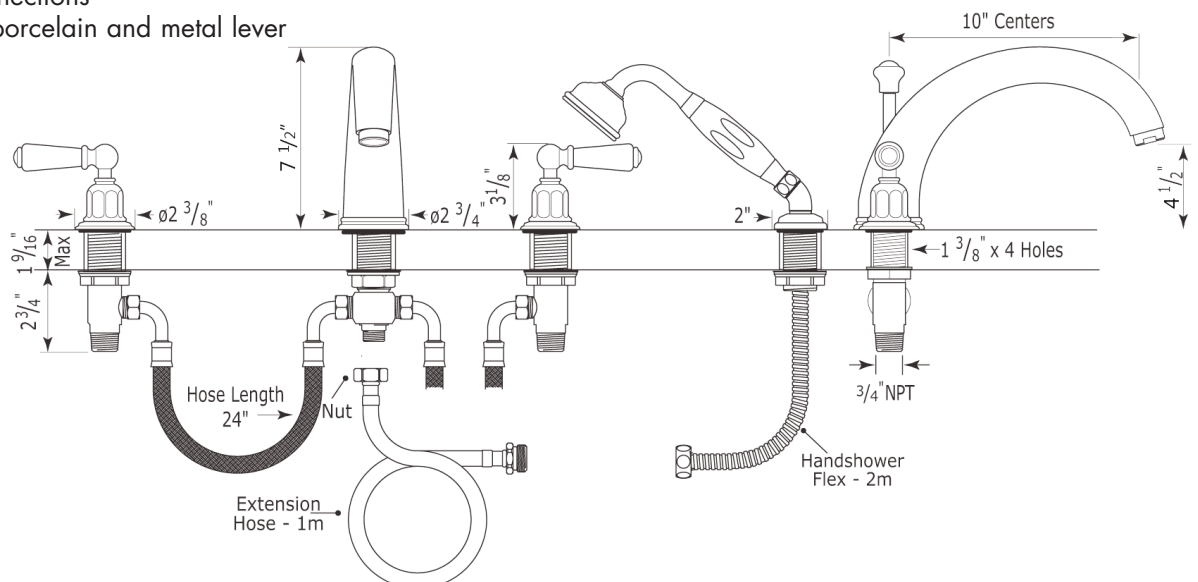
- 10" spout reach
- 4-hole bathtub filler with handshower
- 4 x 1 3/8" hole cutouts
- Fixed spout
- Retractable handshower
- Made from solid brass
- Unique handle fixing clip, engineered to increase the life of the valve
- Innovative valve hose connection, complete with flexible stainless steel hose and 90° elbow
- 1/4-turn ceramic disc valves
- 3/4" NPT connections
- Includes both porcelain and metal lever inserts

FINISHES

- Polished Chrome
- Polished Nickel
- Satin Nickel
- Inca Brass
- English Bronze

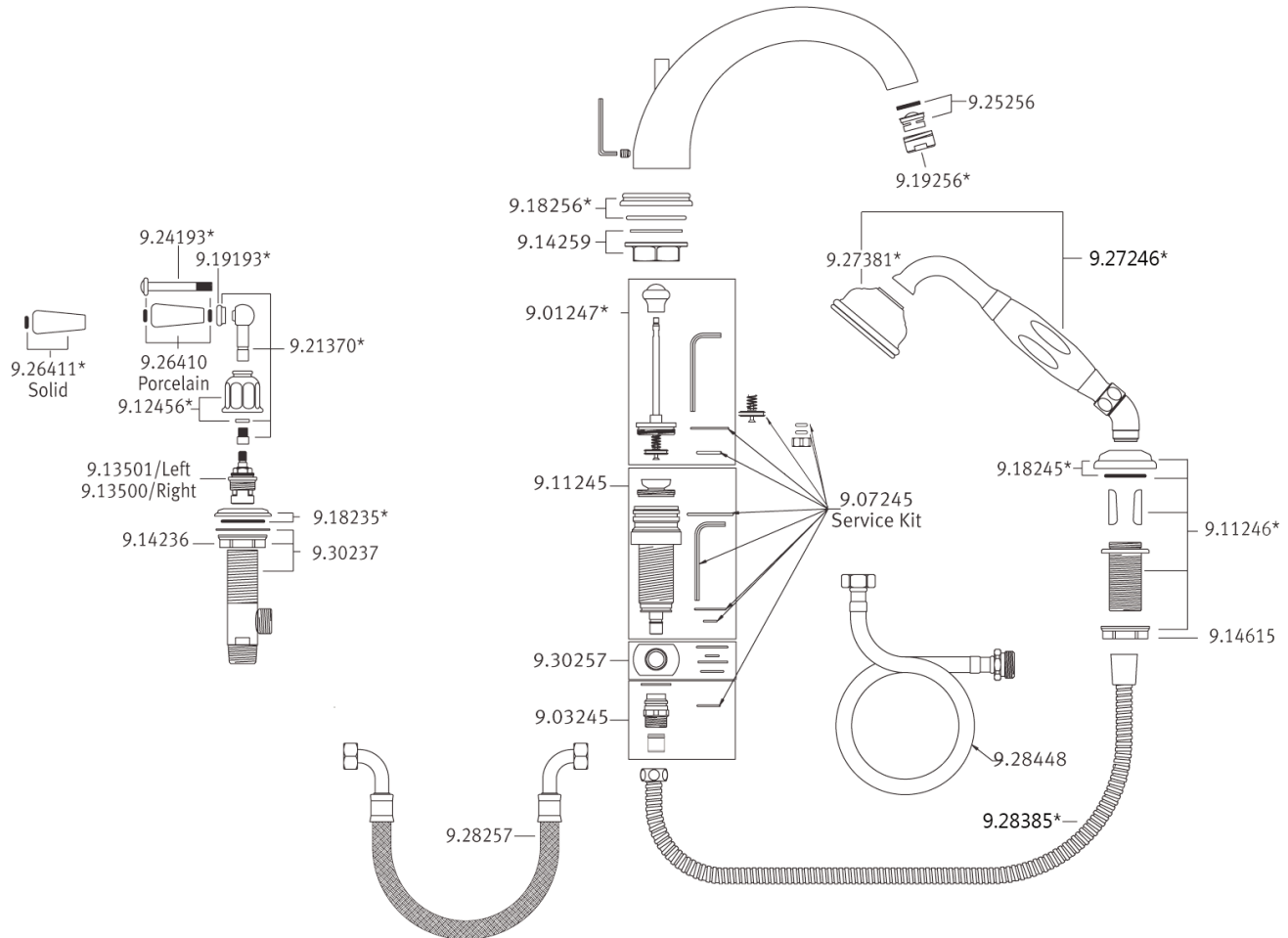
WARRANTY

- Limited Lifetime



Consult your local ROHL showroom for additional information and specifications. For complete warranty details and a list of showrooms, go to www.rohlhome.com.

U.3248L Spare Parts



Consult your local ROHL showroom for additional information and specifications. For complete warranty details and a list of showrooms, go to www.rohlhome.com.

Installation Instructions

The Traditional Bathroom Collection Installation & User Guide



U.3245L U.3246X U.3248L U.3249X U.3737L U.3738X
U.3745L U.3746X

4 HOLE TUB WIDESPREADS

Congratulations on the purchase of your Perrin & Rowe Bathroom Faucet. Correctly installed and with sensible care, it will give many years of trouble free service.

Before you proceed... We recommend you engage the services of a registered plumber to install this product.

Read the instructions on this leaflet carefully.

PREPARATION

- ◆ Flush the plumbing system before installing the mixer faucet. This is to avoid plumbing residues clogging the aerator, or possibly damaging the ceramic valves. This is especially important where extensive plumbing work has been carried out.
- ◆ The Hot supply should be on the left when viewed from the front of the fitting.
- ◆ It is essential to leave adequate access to the underside of the bath to allow for maintenance.

CHECK LIST

- ! Temperature of the hot water supply does not exceed 185°F !
- ! Recommended minimum water supply pressure - 15 psi !
- ! Recommended maximum water supply pressure - 70 psi !
- ! Ideal water pressure is 55psi
- ! Ideal performance obtained with equal hot & cold pressures !

ASSEMBLY - Refer to Fig 1.

- ◆ Assemble the nozzle by placing the shank through the hole in the worksurface ensuring that the base ring & seal are in place.
- ◆ Place backnut onto shank and tighten to underside of worksurface.
- ◆ Fit banjo connection onto shank using shower outlet nipple, taking care not to overtighten.
- ◆ Assemble handshower socket to worksurface ensuring base seal is in place under body.
- ◆ Place flex through the socket, nut end first, to leave tapered end showing.
- ◆ Assemble the two tapered bushes (larger internal diameter to top) then push into handshower socket.
- ◆ Place rosette over flex and assemble to socket.
- ◆ Assemble handshower to tapered end of flex.
- ◆ Fit nut end of hose to outlet. To allow servicing of the handshower flex, the hose should allow the connection to be pulled up through the handshower socket. If required extend the reach by connecting to the banjo with a copper connection.
- ◆ Fit handshower flex to hose.
- ◆ To assemble side valve, ensure the brass backnut and washer are in place on the valve body, then from the underside of

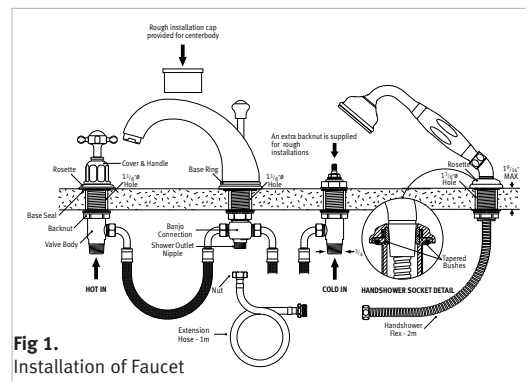


Fig 1.
Installation of Faucet

worksurface, push the valve body through the hole. Assemble rosette as shown so that the valve body thread shows at top.

- ◆ Ensure that the connection for the flexible hose is facing towards the nozzle.
- ◆ Assemble cover & handle onto the valve body ensuring that it is aligned properly. If it is not, remove and turn a few splines until correct alignment achieved.
- ◆ Screw the rosette up to the underside of cover.
- ◆ Repeat this procedure for the second side valve.
- ◆ Make the connections between the side valves and the nozzle.
- ◆ Tighten the brass backnut and washer to the underside of the work surface.
- ◆ Connect the side valves to the nozzle using the flexible hoses.
- ◆ Assemble and connect pop-up waste.
- ◆ Ensure all connections are firmly tightened.
- ◆ Connect Hot & Cold water supplies to side valve inlets.

BEFORE USE

- ◆ **Carefully check the installation for leaks.**
- ◆ If further building work is to be carried out in the vicinity, cover the faucet with a plastic bag to avoid damaging the finish.
- ◆ Please ensure that the installation complies with the local plumbing codes.

Installation Instructions

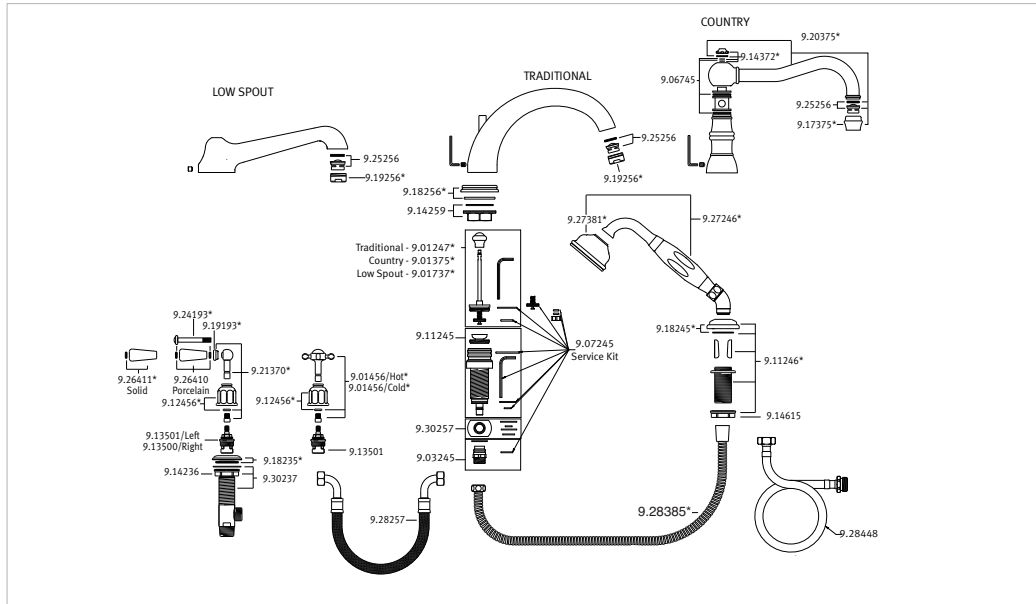


Fig 2.
Spare Parts - *Where indicated specify color

OPERATION

Ceramic disc valves are fitted as standard to this mixer faucet. Flow from FULLY OFF to FULLY ON is achieved by rotating the handles a quarter turn.

Diverting action is achieved by pulling up on the diverter knob. Higher water pressures may make the diverting action difficult.

CARE & MAINTENANCE

Occasional cleaning with warm soapy water, followed by a polish with a soft cloth is all that is required to keep the plated finish in good condition.

Do not use proprietary abrasive liquids, powders, or pads to clean the faucet. You will damage the plated finish and void your warranty.

The aerator at the outlet of the spout may need occasional cleaning. This is accomplished by unscrewing the outlet in a counter-clockwise direction, dismantling and leaving the inner screen mesh immersed overnight in vinegar or lemon juice. **DO NOT use chemical descaling liquids for this purpose.** Rinse thoroughly in clean water and re install.

DIVERTOR REPLACEMENT

- ◆ Unscrew the diverter knob from the spindle by lifting the knob and gripping the flats on the spindle with a 5mm spanner, then unscrew.
- ◆ Undo the screw in the back of the nozzle using the hexagon key provided.
- ◆ Lift the nozzle off base ring and shank.
- ◆ Unscrew top seating cage and remove.
- ◆ Replace diverter plate sub-assembly*.
- ◆ Reassemble the nozzle, check fitting carefully for leaks.
- ◆ Reassemble the diverter knob.

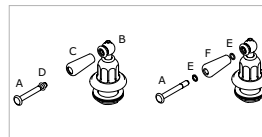
NOTE:

To utilize the rough installation cap it is necessary to remove the top seating cage, please follow the first 5 points of the Diverter Replacement section.

HANDLE VARIANTS

Both porcelain and solid levers are included with U.3248L U. 3737L and U.3745L models.

HOW TO CHANGE



- 1) Unscrew lever bolt **A** from lever ball **B** by hand.
- 2) Remove metal lever insert **C** and seal **D**.
- 3) Place one of the replacement seals **E** onto lever bolt **A** and slide to the end. Place porcelain lever insert **F** onto lever bolt **A** and slide to the end of the bolt.
- 4) place the other replacement seal **E** onto lever bolt **A** and slide to the end of the porcelain lever insert.
- 5) Screw lever bolt and porcelain lever insert assembly back into lever ball **B** and screw down tightly by hand

SPARE PARTS AND SERVICE

ROHL
3 Parker
Irvine
CA 92618
(714) 557-1933