



## Available Texture

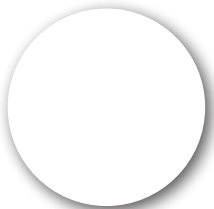


### SLATE

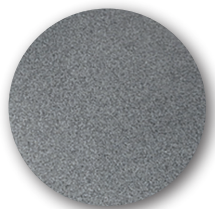
A 60" | B 36"  
A 36" | B 36"

Anti-slip Class C / PN 24

## Available Colors\*



PURE WHITE



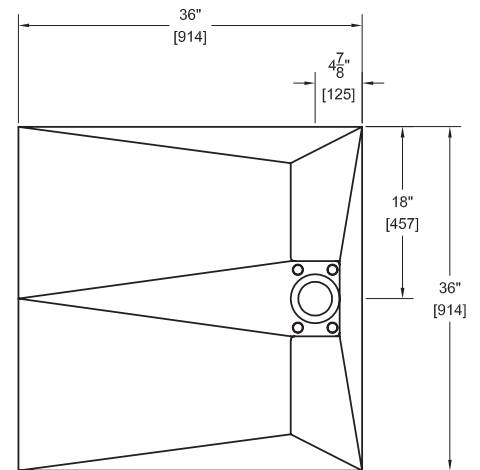
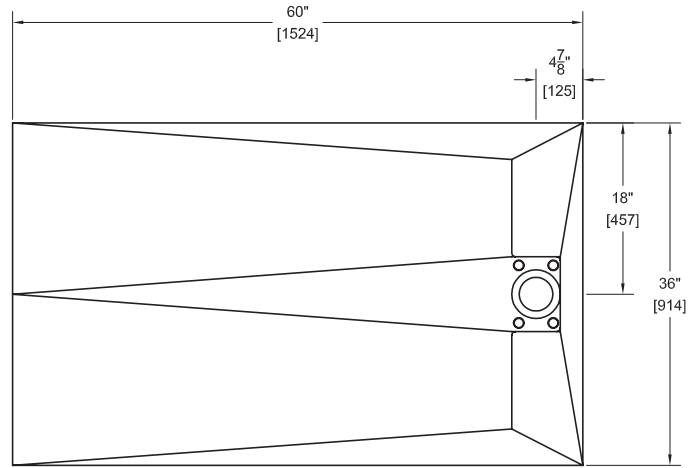
GRAPHITE

\*Other colors and textures available upon request

## Drain Cover



DRAIN COVER INCLUDED, IN THE SAME TEXTURE AS THE SHOWER BASE



Technical characteristics may be modified without prior notice. Dimensional tolerances +/-5mm.

## Recommended Drains



ZURN:  
FD2275



OATEY:  
42049 - PVC



OATEY:  
42150 - BRASS



EASTMAN:  
15303 - PVC



Guarantee 5 Years.



Quarex Material.  
Resin + mineral fillers.



Cut to size.  
It can be cut on site.



Installation: embedded (suitable for people with reduced mobility) or raised.  
Please consult the installation manual.



High Coating UV resistance.



SUPERIOR HARDNESS coating (<0.01 mm, according to UNE EN 14688; maximum allowed 0.1 mm).



Coating with excellent resistance to hydrolysis.



Packaging in reinforced cardboard with wooden structure.



Anti-bacterial treatment R<2 ISO 22196.