

GEM LED Sconce

8165

Project Name _____

Fixture Type _____

Quantity _____

Norwell | Lighting

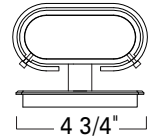
I L E X

Custom Metalcraft



8165-CH-CA
Up and Down LED

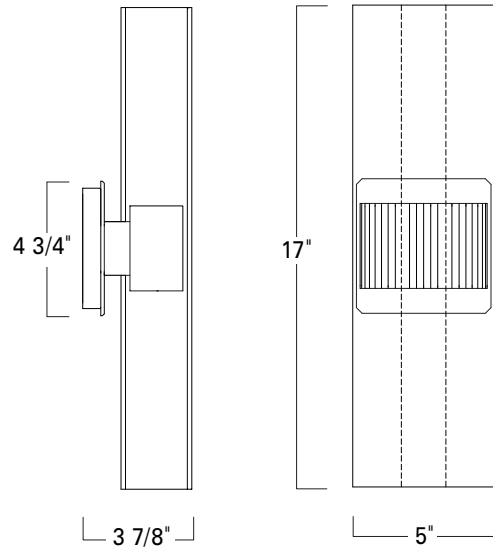
Top View



8165-BN-CA



8165-CH-CA



LED ADA

Product Name / Model / Dimensions				Finish Options	Diffuser	Lamping Options
GEM - 8165				Standard Chrome / CH Brushed Nickel / BN	Standard Clear Acrylic / CA	Standard LED* 526lm, 16 Watt 3000K, 90 CRI 120v & Triac Dimming
	Height	Width	Projection			
8165	17"	5"	3 7/8"			
Backplate 4 3/4" H X 4 3/4" W						

*Integrated LED driver. Damp Location and Rated UL/ETL Listed

REV-2-2020

DISCLAIMER:

Norwell Lighting and its companies, ILEX Architectural Lighting and Custom Metalcraft reserve the right to change specifications related to its product at anytime. USA Made indicates product is manufactured in East Taunton, Massachusetts facility. Phone: 508-823-1751