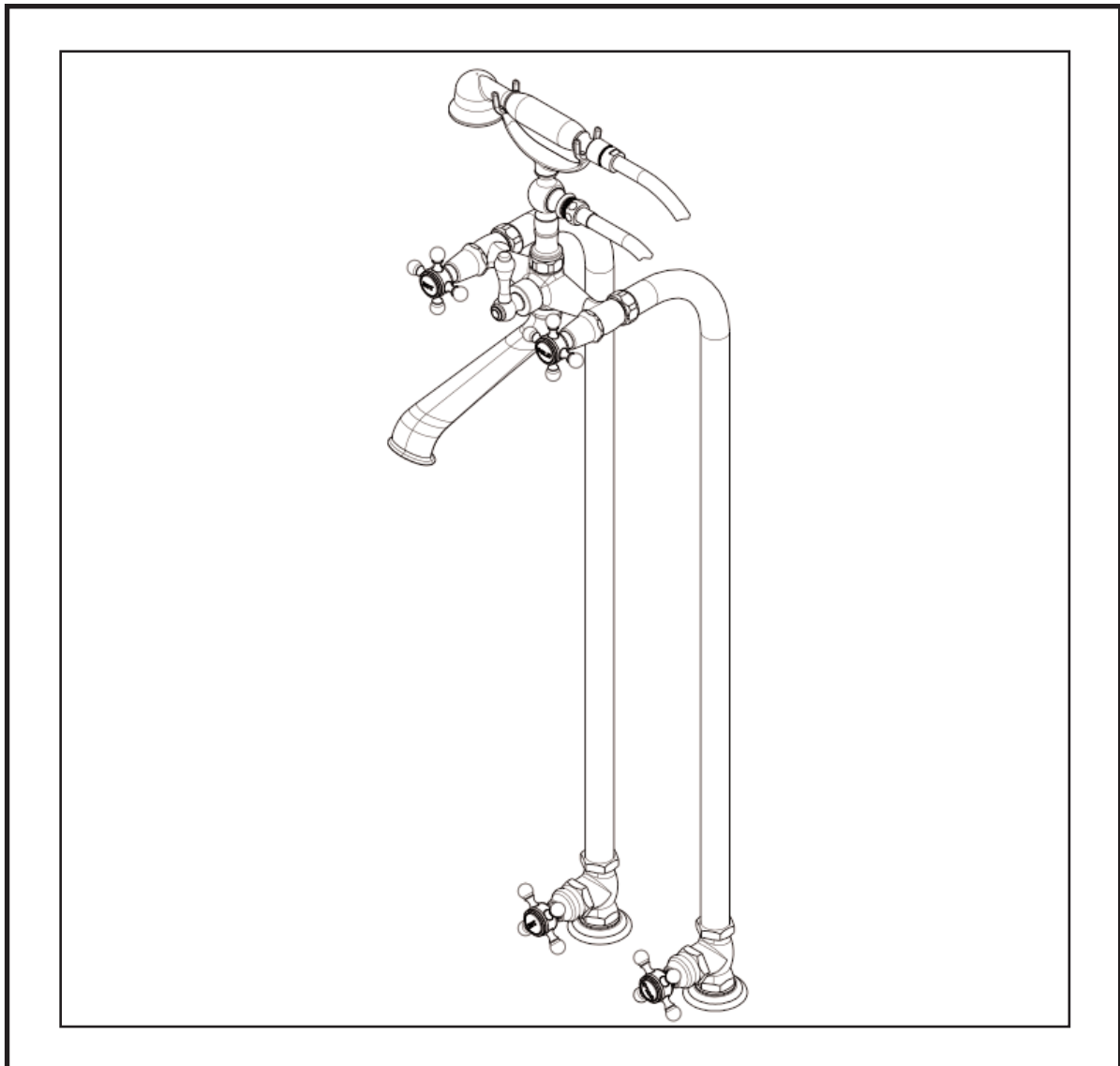


NEWPORT BRASS

Flawless Beauty. From Faucet to Finish.™

INSTALLATION INSTRUCTIONS

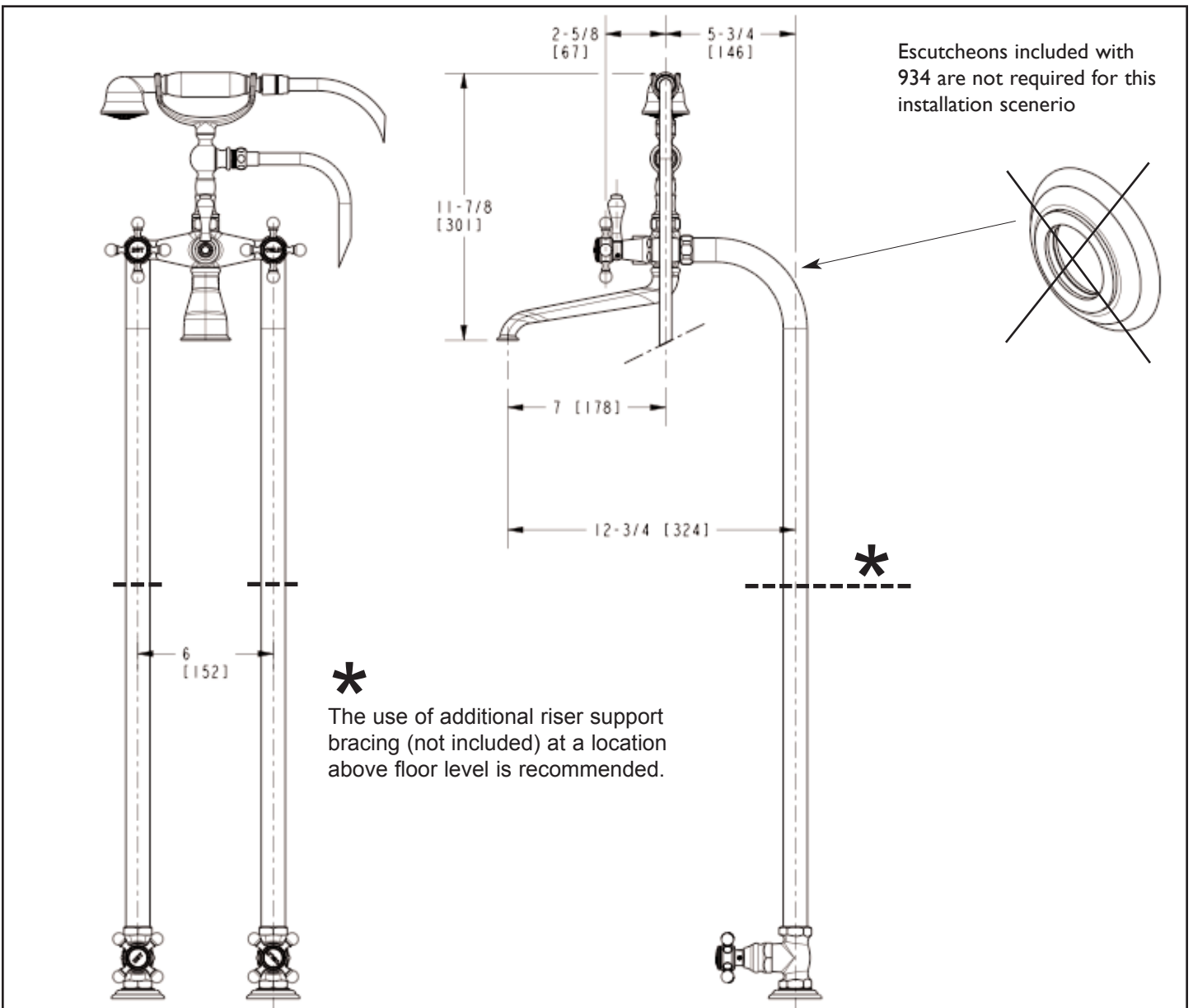
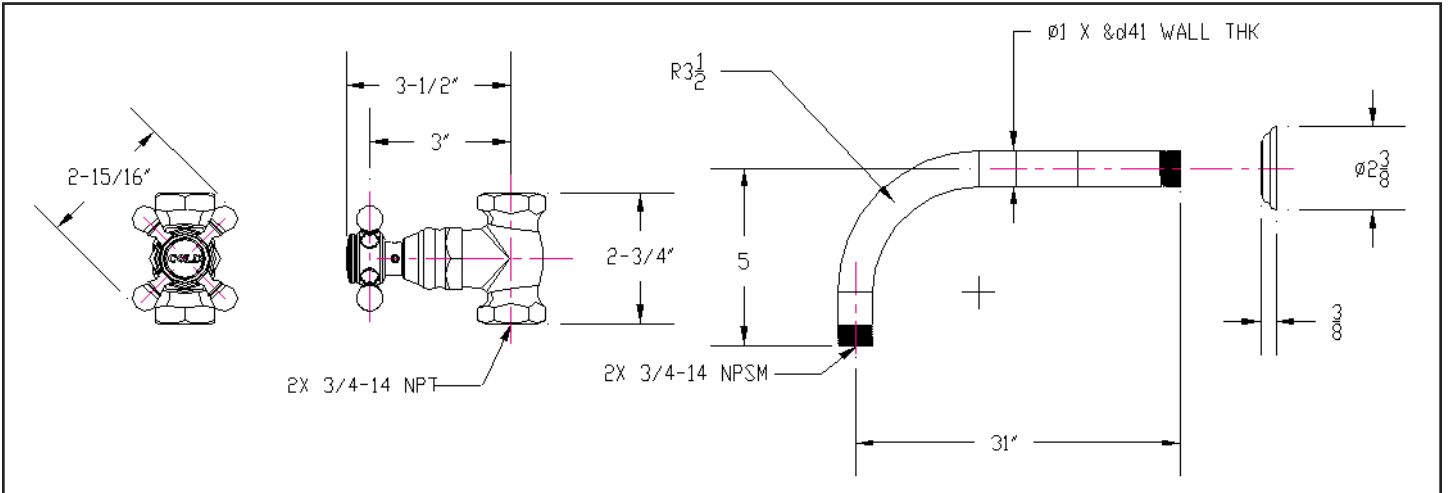


FLOOR RISER KIT

Model No: 3-196

Used with 934 (not included)

Product Size Specification Diagram



Recommended Installation by a Professional Plumbing Contractor

Note: Many installation variations are available. One potential scenario is outlined below.

Adhere to industry standards & local regulations when installing this product.

The use of petroleum base plumbers putty on our products will nullify the warranty. We recommend the use of clear silicone sealing materials.

- Fig. 1: For riser inlet NIPPLE (1)-(3/4" NPT, not included), deck hole diameters of 7/8" are recommended. Two holes are required at a spacing of 6" - center to center). The nipple should protrude approximately 7/8" from the floor surface.
- Fig 2: Apply thread sealant to the threads of the NIPPLE (1) and thread into fitting below the deck. Place ESCUTCHEON (2) over NIPPLE (1). Attach Shut-off VALVE (3) to the other end of NIPPLE (1) and flush against ESCUTCHEON (2).
- Fig 3: Attach the RISERS (4) to shut-off VALVES (3).
- Fig 4: Discard ESCUTCHEONS (2a) provided with FAUCET (5). Thread FAUCET (5) to RISERS (4).
- Fig 5: Attach HOSE (6) to FAUCET (5) and hand SHOWER (7). (Hand-tighten and secure each connection with a wrench 1/4 turn.).
- Turn on water supply. Check for leaks and make any final adjustments as necessary.

