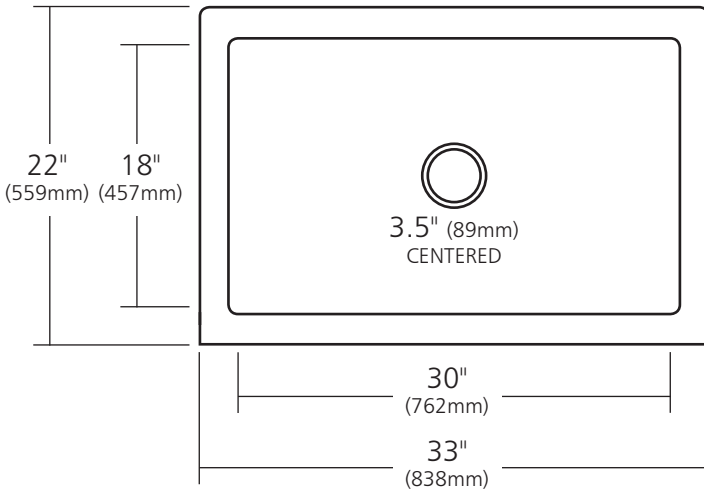


SPECIFICATIONS

PINNACLE



TOP VIEW



CPK292 Antique Finish
 CPK592 Brushed Nickel Finish

PRODUCT DETAILS

- 33" x 22" x 10.5" OD (838mm x 559mm x 267mm)
- 30" x 18" x 10" ID (762mm x 457mm x 254mm)
- Hand hammered 16 gauge recycled copper
- Apron extends 2" (51mm) on sides
- 3.5" (89mm) drain opening
- Dimensions are not exact and may vary $\pm .5"$ (13mm)

INSTALLATION

- Undermount

COORDINATING PRODUCTS

- Drains: DR320 or DR340
- Bottom Grid: Use GR2917
- MetalProtect™

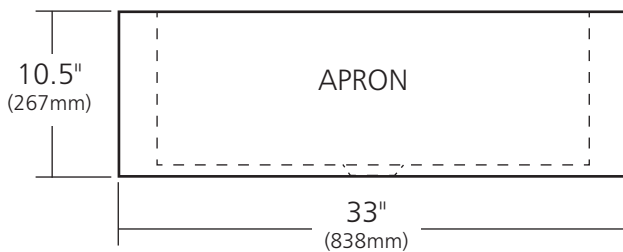
STANDARDS COMPLIANCE

- UPC/cUPC compliant

IMPORTANT

Due to the handcrafted nature of this product, it will vary in finish, texture, hammering, and other details. Dimensions may vary up to .5" (13mm). We strongly recommend waiting for the actual product before making any installation cuts.

FRONT VIEW



SIDE VIEW

