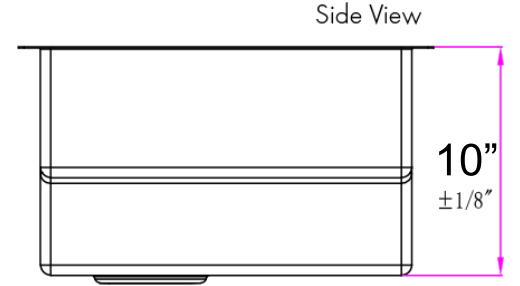
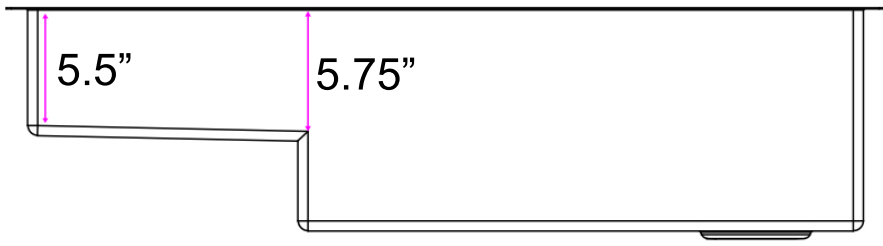
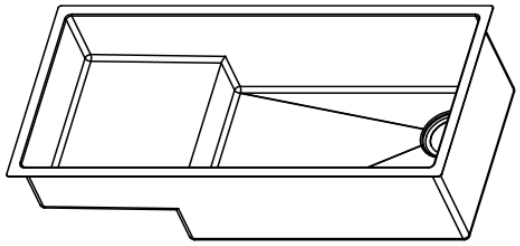
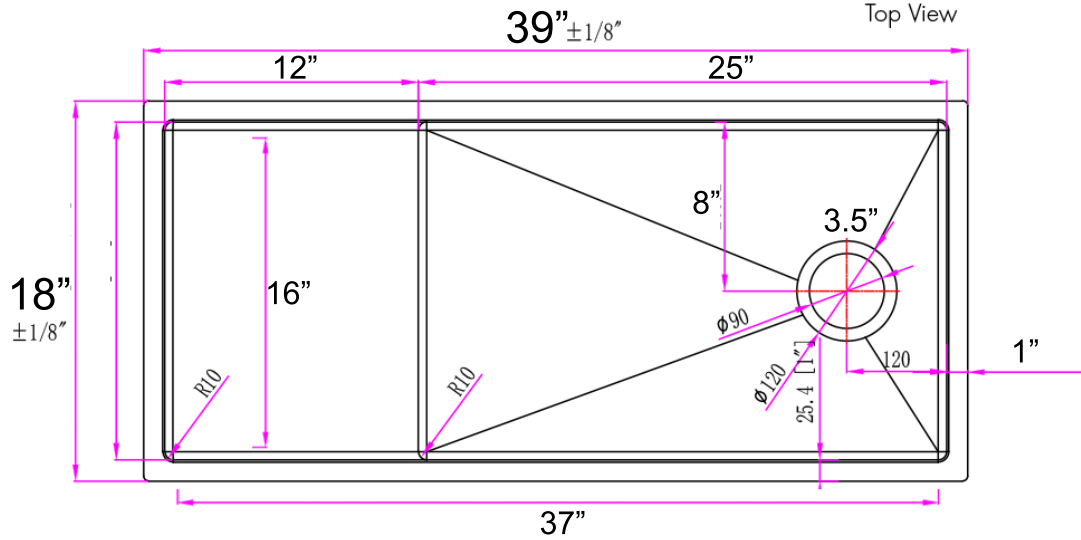


Model:
STEPPE3918

Pro Series Collection
Premium Stainless Steel
Small Radius Pro Undermount Kitchen Sink

Design Made in Collaboration with Studio Dearborn



Overall Dimensions	Interior Bowl	Interior Ledge Dimensions	Bowl Depth	Bottom Grid
39' x 18'' x 10''	37''x16''	12''x16''	10''	Included

- Features:**
- Premium 304, 16 gauge Stainless Steel Kitchen Sink
 - 10" Bowl Depth with Integral Accessory Step
 - Rinsing Basket, Bottom Grid and Basket Strainer Included
 - Limited Lifetime Manufacturer's Warranty
 - Brushed Satin Finish
 - Insulated to reduce condensation
 - Rubber padding is applied for noise reduction
 - Professional Installation Recommended
 - Meets ASME A112.19.3-2017

Project/Name: _____
 Architect/Contractor: _____
 Model: _____
 Job Notes: _____

