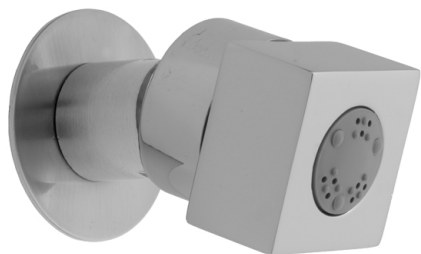


Massaging Square Body Spray

Model #: S072-

FEATURES:

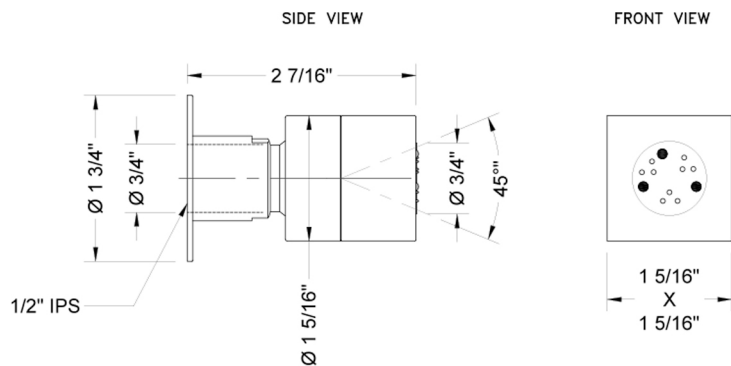
- All brass body sprays
- 1 ¼" Square Face
- ½" IPS adjustable brass ball joint to adjust angle of body spray
- 3 designs to complement both contemporary & traditional styling
- 2.5 GPM
- Shown with standard escutcheon. Other escutcheons available: 6004, 6007, 6010, 6012, 6015 & 6018



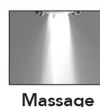
AVAILABLE FINISHES:

Polished Chrome (PCH)	Satin Chrome (SC)	Bronze Umber (BU)
Satin Nickel (SN)	Pewter (PEW)	Caramel Bronze (CB)
Polished Nickel (PN)	Antique Brass (AB)	Antique Copper (ACU)
Oil-Rubbed Bronze (ORB)	Polished Brass (PB)	Polished Copper (PCU)
Vintage Bronze (VB)	Satin Brass (SB)	Rose Gold (RG)
Matte Black (MBK)	Satin Gold (SG)	Polished Gold (PG)
Black Nickel (BKN)	Bombay Gold (BG)	Jewelers Gold (JG)
Europa Bronze (EB)	White (WH)	Sedona Beige (SDB)
Tristan Brass (TB)	Unlacquered Brass (ULB)	Satin Cooper (SCU)

SPECIFICATION DRAWING:



SPRAY PATTERNS:



Massage

COMPLIANCES:

Complies with: ASME A112.18.1-2012/CSA B125.1-12