



**PBV1005AS | Single Control Pressure Balance Valve** Page 1 of 2

**SPECIFICATIONS:**

- Lift Handle to control volume. Turn left for hot, right for cold.
- Pressure Balance Valve Flow Rate - 5.5 GPM @ 60 PSI

**FINISHES :**

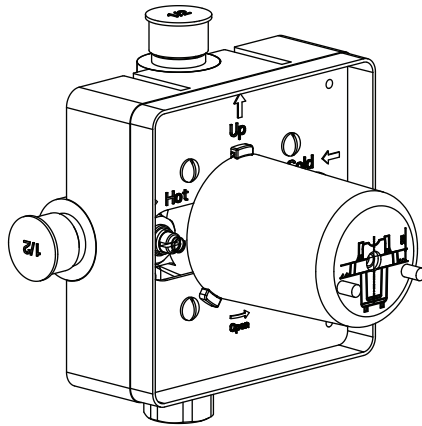
- Chrome - PBV1005ASCP / Brushed Nickel - PBV1005ASBN

**STANDARDS:**

- ASME A112.18.1 / CSA B125.1

**WARRANTY:**

- Limited lifetime warranty to the original consumer purchaser against finish and workmanship



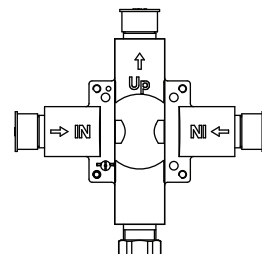
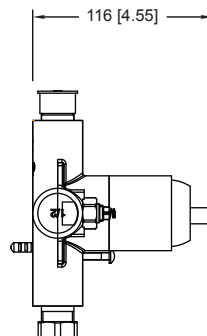
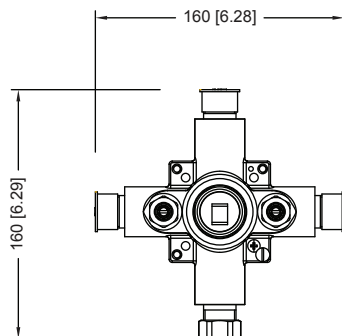
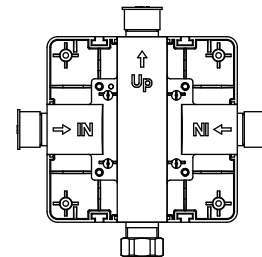
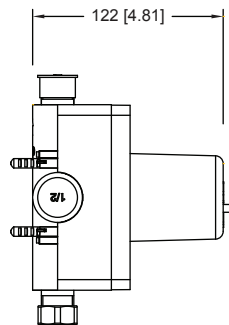
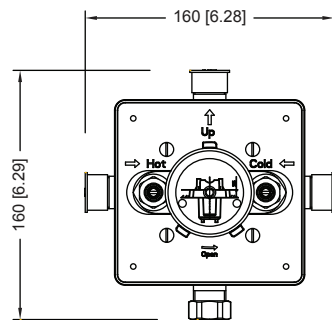
Legislation Compliance



ZeroDrip Technology



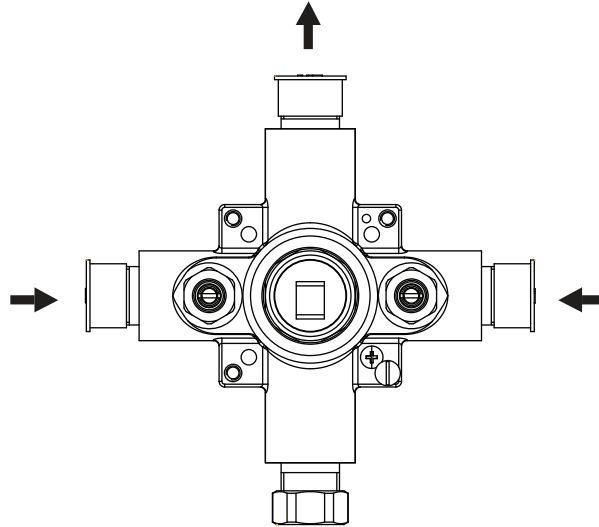
**Technical Diagram**



**PBV1005AS | Single Control Pressure Balance Valve** Page 2 of 2



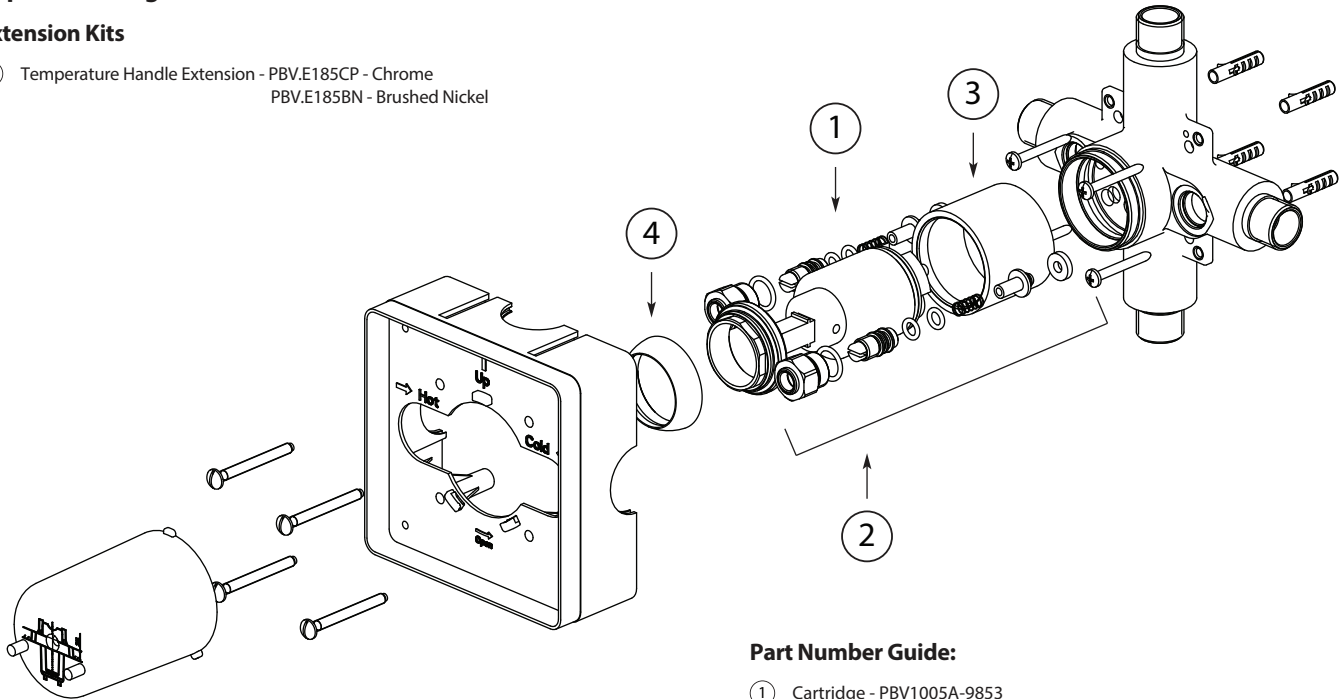
**Water Flow Diagram**



**Explosion Diagram**

**Extension Kits**

- Ⓐ Temperature Handle Extension - PBV.E185CP - Chrome  
PBV.E185BN - Brushed Nickel



**Part Number Guide:**

- ① Cartridge - PBV1005A-9853
- ② Integral Stop Kit - PBV1005AS-1987
- ③ Cartridge Cover - 8002048-042CP - Chrome  
8002048-042BN - Brushed Nickel
- ④ Cartridge Bezel - 8002048-072CP - Chrome  
8002048-072BN - Brushed Nickel