

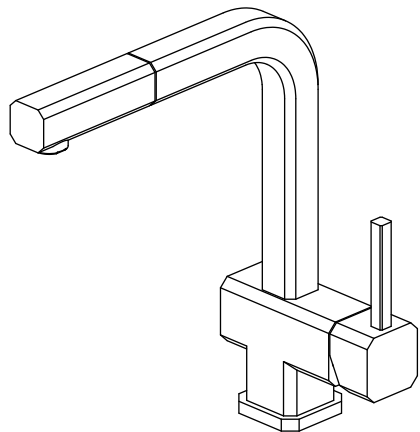
Cito - K.1300 | Dual Function Pull Out Kitchen Faucet

SPECIFICATIONS:

- Stainless steel construction
- Stainless steel dual function sprayer
- 1.8 GPM Flow Rate
- Single lever allows both volume and temperature control
- Deck hole size = 1 3/8"

STANDARDS:

- ASME A112.18.1 / CSA B125.1



Legislation Compliance



ZeroDrip Technology



Technical Diagram

