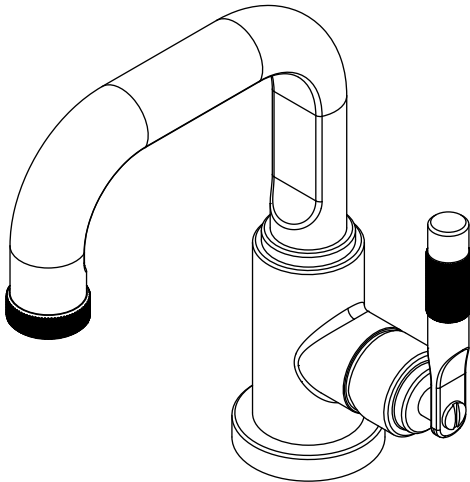


250.1000 | Single Hole Faucet



SPECIFICATIONS:

- Solid Brass construction
- Single Hole Installation
- 1.2 GPM Flow Rate @ 60 PSI
- 1 3/8" Hole Size
- Ceramic disc cartridge allows both volume and temperature control



STANDARDS:

- ASME A112.18.1 / CSA B125.1, NSF-61

LowFlow Capable



Legislation Compliance



Low Lead Compliant



ZeroDrip Technology



Technical Diagram

