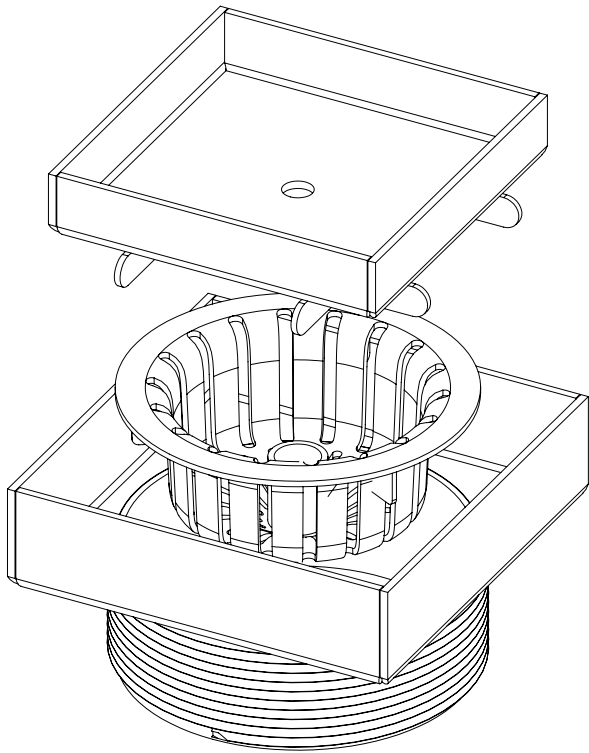


T 15 A Specification

ID Infinity Drain



T 15 A:

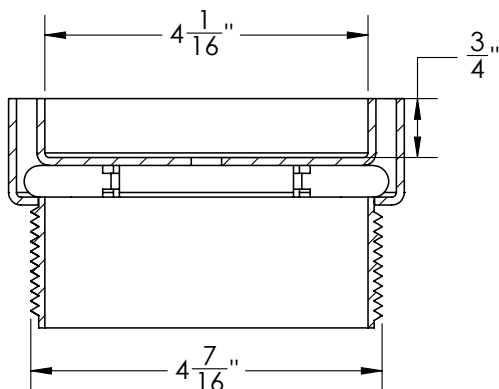
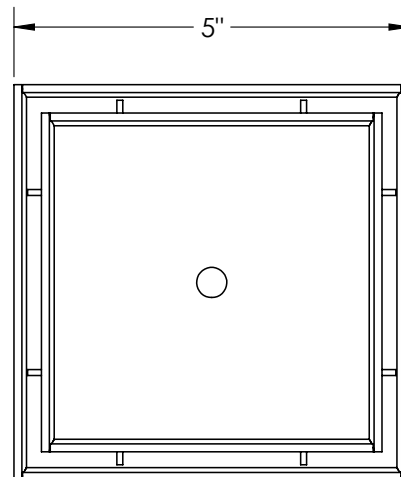
- 5" x 5" 304L stainless steel strainer assembly with 4" throat

Kit includes:

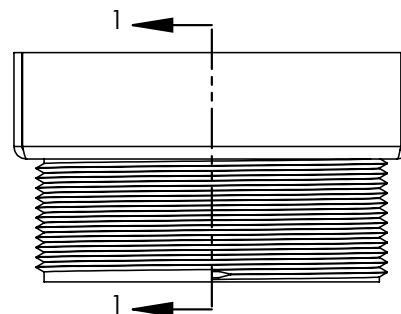
- 1 - TS 5 - 5" x 5" Stainless steel Tile-insert tray
- 1 - TT 54 - Stainless steel 4" throat
- 1 - HMK - C4-D Hair maintenance kit:
 - 1 - HS 4 Hair strainer
 - 1 - DKEY Lift out key

Finishes:

- Satin Stainless
- Polished Stainless
- Oil Rubbed Bronze
- Satin Bronze
- Matte Black



SECTION 1-1



Infinity Drain
145 Dixon Avenue
Amityville, NY 11701
Phone: 516.767.6786
Fax: 516.740.3066
www.infinitydrain.com



NOTE: Installer must verify all rough-in dimensions prior to installation and consult local and national codes. Conformity and compliance to local and national codes are the responsibility of the installer.