

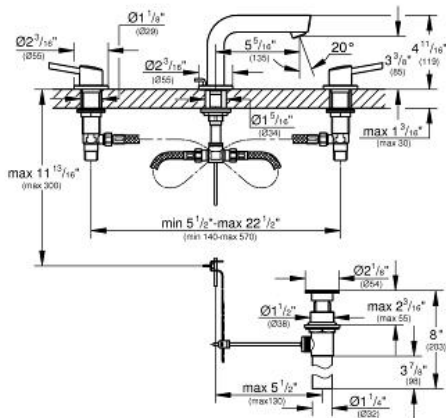
CONCETTO Lavatory Wideset

MODEL # 20572001

Pure Freude an Wasser



GROHE America, Inc | 200 North Gary Avenue, Suite G, Roselle, IL 60172
Phone: +1 (800) 444-7643 | Fax: +1 (800) 225-2778 | us-customerservice@grohe.com



ADA

Product Description:
Lavatory Wideset

Standard Specification:

- GROHE SilkMove®
- GROHE StarLight® finish
- GROHE EcoJoy® technology for less water and perfect flow
- GROHE QuickFix® installation system
- Ceramic disc valves
- Metal pop-up drain
- Stainless steel flex lines
- Faucet height below 6" when in use
- Max flow rate: 1.2 gpm (4.56 L/min)
- ADA Compliant

Applicable Codes & Standards:

- EPA WaterSense®
- CalGreen

Color:

- 20572001 001 chrome

