



Information

- 1 1/3" hole cutout (x3)
- Aerated Flow Rate ~7 gpm @45 psi
- Matching deck-mounted handshower & diverter set available
- ADA

G-2150-LM20B

Bali Collection

Roman Tub (Rough and Trim)

GRAFF[®]
CUTTING EDGE DESIGN



Product Features

- Aerated flow rate ~2.2 gpm @ 60 psi
- 1-1/3" hole cutouts (x3)

Available Finishes

- Polished Chrome G-2150-LM20B-PC
- Steelnox[®] G-2150-LM20B-SN
- Olive Bronze G-2150-LM20B-OB
- Polished Nickel G-2150-LM20B-PN

Code Compliance

- CSA
- ADA

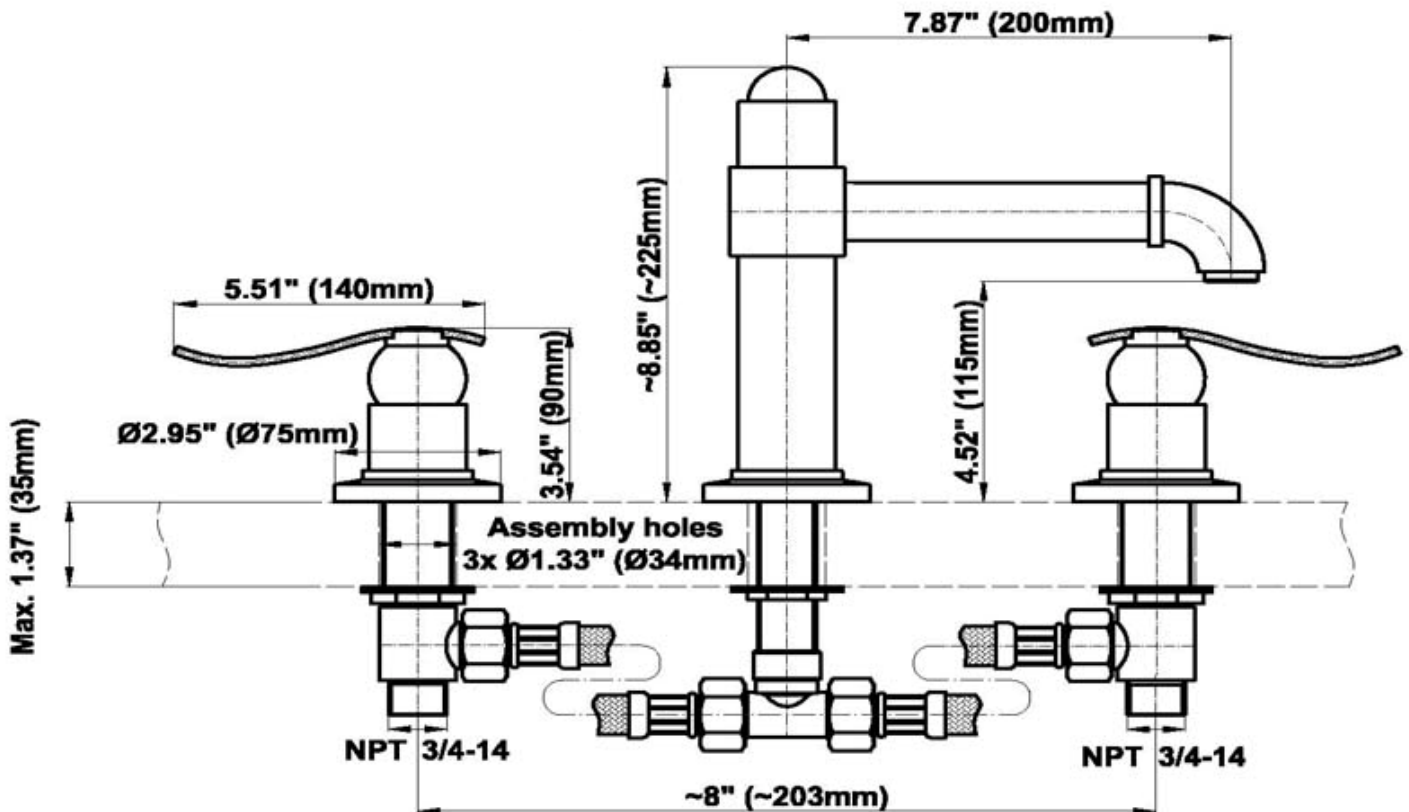
Optional Accessories

- In-line pressure balancing valve G-1060

Warranty

- Limited lifetime warranty

For complete warranty information go to www.graff-faucets.com/en-nam/warranty



The measurements shown are for reference only. Products and specifications shown are subject to change without notice. Revised 11/2012.

www.graff-faucets.com | phone: 800-954-4723



Information

- 3/4" male NPT inlets
- Quick connect tub spout

Finishes



24K Gold



24K Brushed
Gold



Olive Bronze



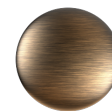
Polished
Chrome



Polished
Nickel

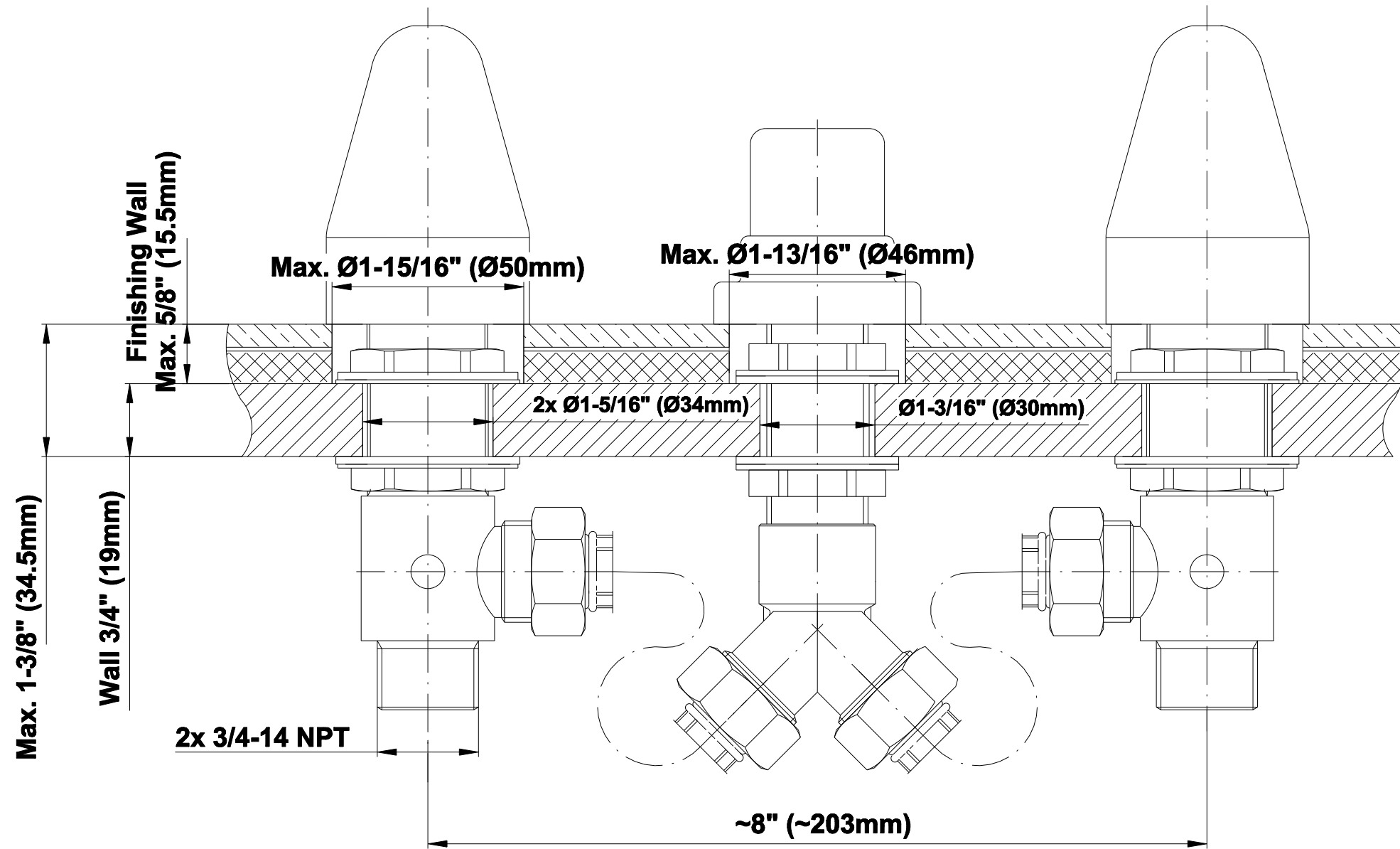


Steelnox®
(Satin Nickel)



Vintage
Brushed Brass

Valve Rough G-1035





Information

- 1 1/3" hole cutout (x3)
- Aerated Flow Rate ~7 gpm @45 psi
- Matching deck-mounted handshower & diverter set available
- ADA

Finishes



24K Gold



24K Brushed
Gold



Olive Bronze



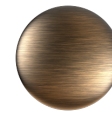
Polished
Chrome



Polished
Nickel



Steelnox®
(Satin Nickel)



Vintage
Brushed Brass

G-2150-LM20B

Bali Collection
Roman Tub (Rough and Trim)



Product Features

- Aerated flow rate ~2.2 gpm @ 60 psi
- 1-1/3" hole cutouts (x3)

Available Finishes

- Polished Chrome G-2150-LM20B-PC
- Steelnox® G-2150-LM20B-SN
- Olive Bronze G-2150-LM20B-OB
- Polished Nickel G-2150-LM20B-PN

Code Compliance

- CSA
- ADA

Optional Accessories

- In-line pressure balancing valve G-1060

Warranty

- Limited lifetime warranty

For complete warranty information go to www.graff-faucets.com/en-nam/warranty

