

SHOWER
Luna Thermostatic Shower Set
(Rough & Trim)
GF4.000A-C14S

GRAFF[®]



Information

- Thermostatic Shower Spout Flow Rate 2.1 gpm @ 60 psi

SHOWER
Rough
G-8005

GRAFF®



Information

- 18.4 gpm @ 60 psi
- 3/4" universal inlets/outlets with female threads
- Built-in service stops
- Complete serviceability from front of all units
- Supplied with protective plastic cover
- Thermostatic valve uses a paraffin wax cartridge

Finishes



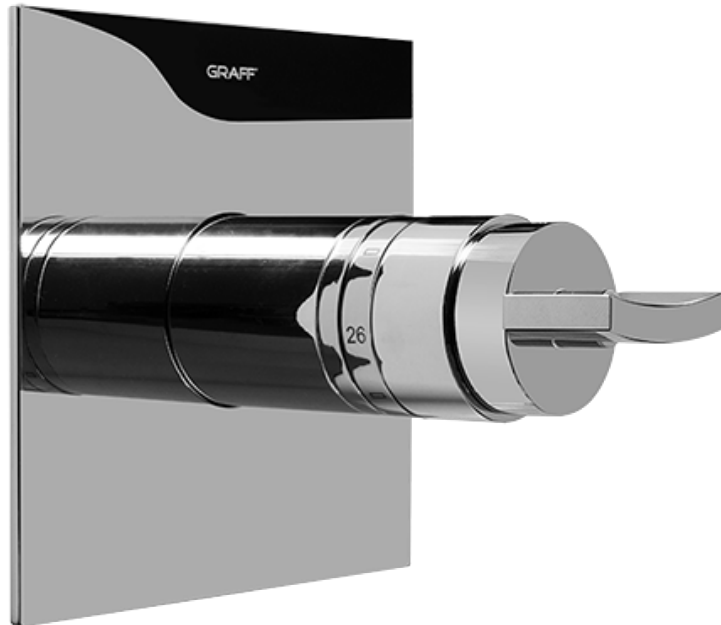
Polished
Chrome



Steelnox®
(Satin Nickel)

SHOWER
Sade/Targa/Luna SOLID Trim Plate
w/Handle
G-8041-C14S-T

GRAFF®



Information

- Single metal handle
- Decorative trim plate
- Use with G-8000 or G-8005 thermostatic rough valve
- To complete package, you must order rough valve

Finishes

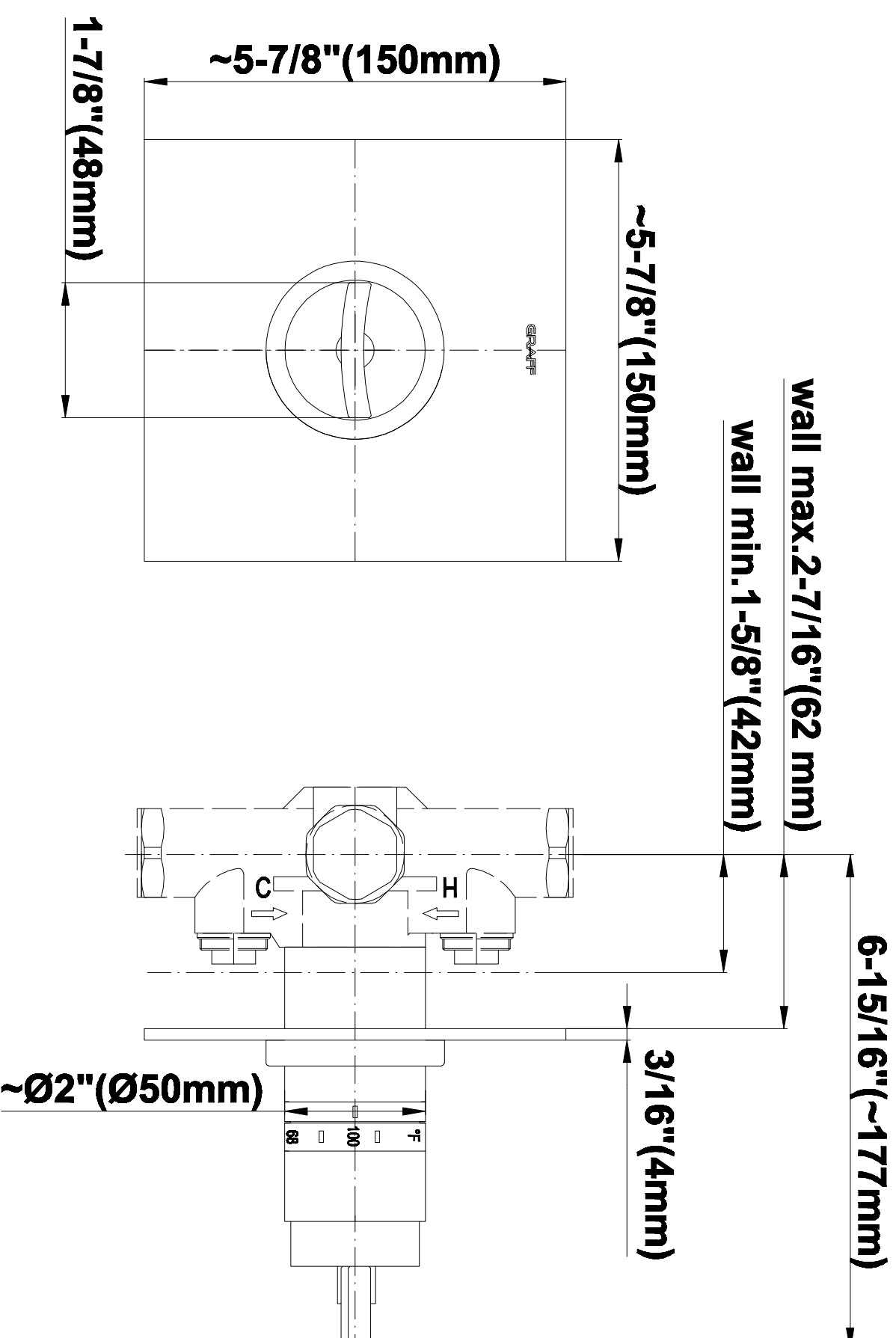


Polished
Chrome



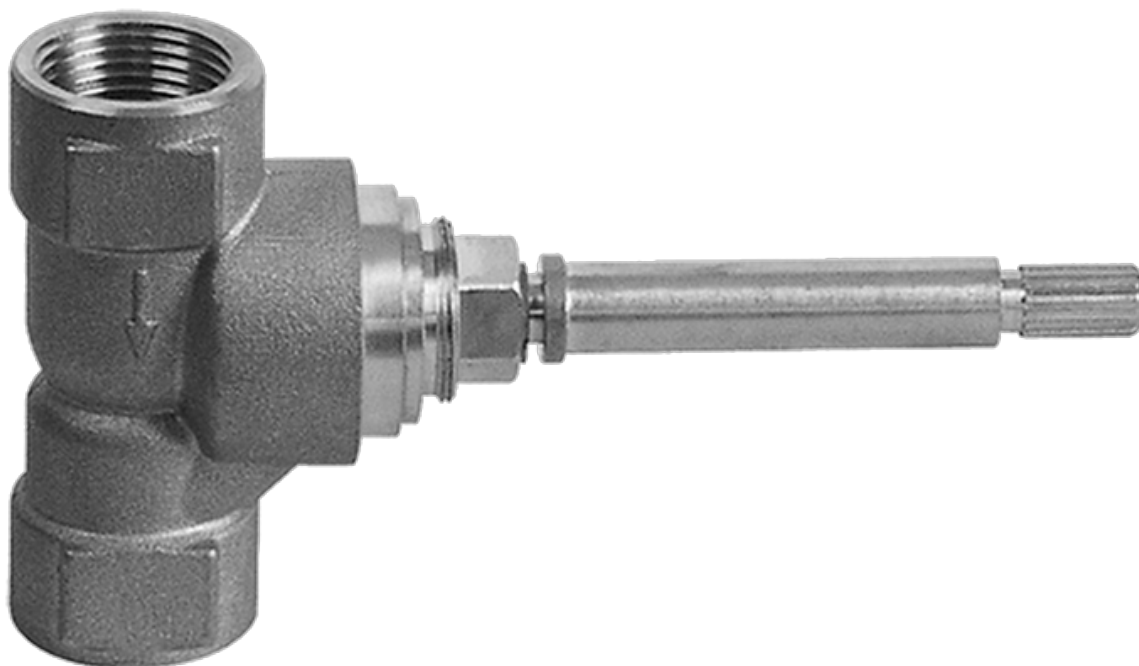
Steelnox®
(Satin Nickel)

G-8041



SHOWER
Rough
G-8075

GRAFF®



Information

- 3/4" universal inlets/outlets with female threads
- Supplied with protective plastic cover

Finishes



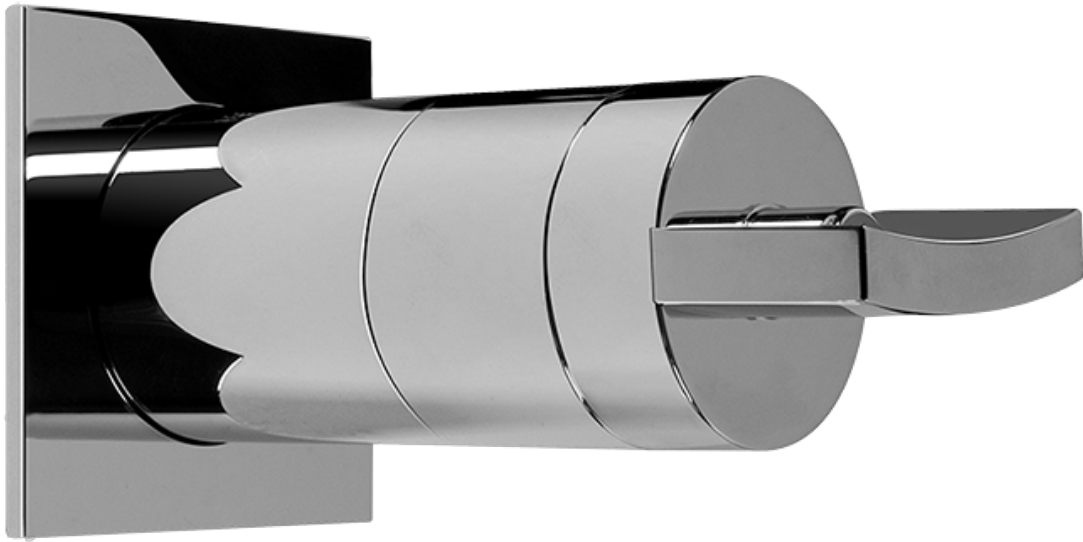
Polished
Chrome



Steelnix®
(Satin Nickel)

SHOWER
Targa, Sade, & Luna SOLID Trim
Plate w/Handle
G-8095-C14S-T

GRAFF®



Information

- Single metal handle
- Decorative trim plate
- Use with G-8070 or G-8075 thermostatic stop/volume control rough valve
- To complete package, you must order rough valve

Finishes

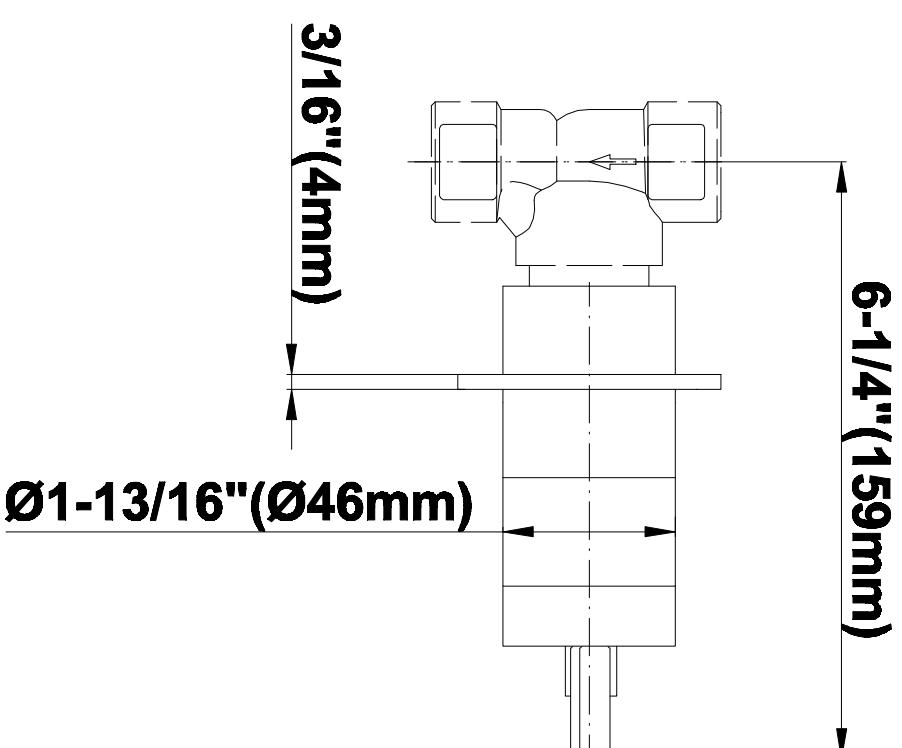
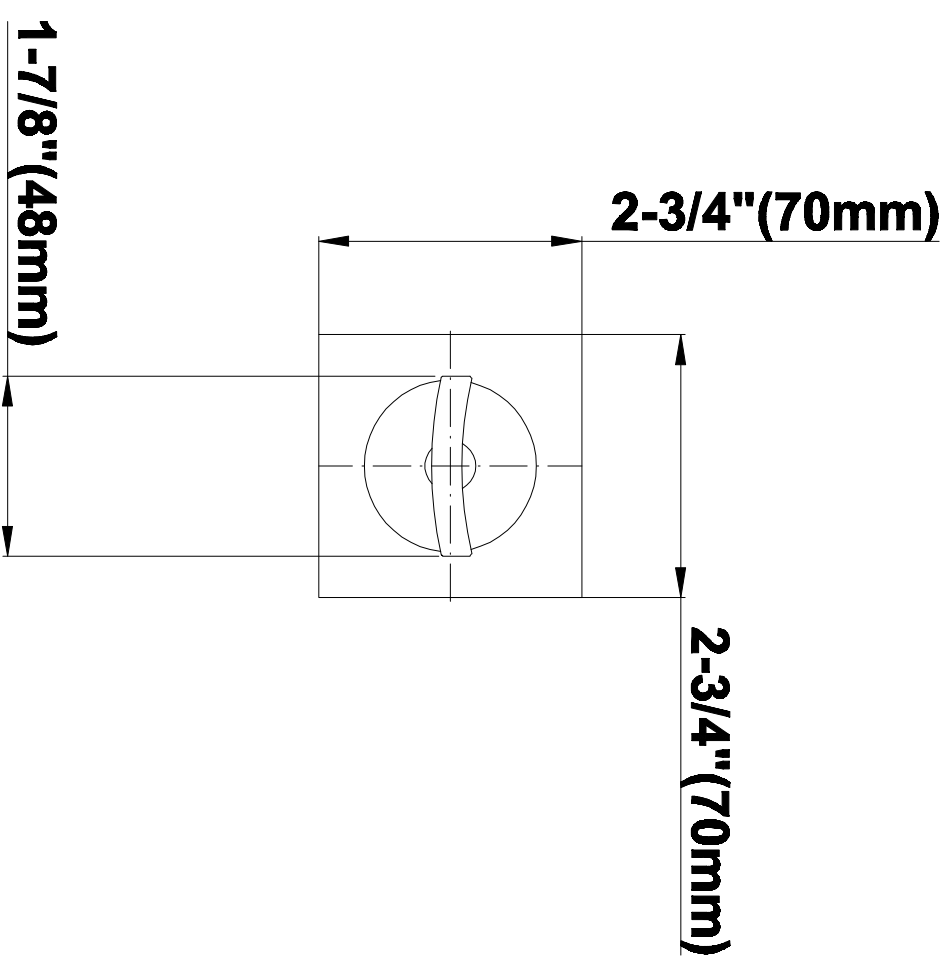


Polished
Chrome



Steelnox®
(Satin Nickel)

G-8095



SHOWER
Spout and Wall Bracket
G-8700-T

GRAFF®



Finishes



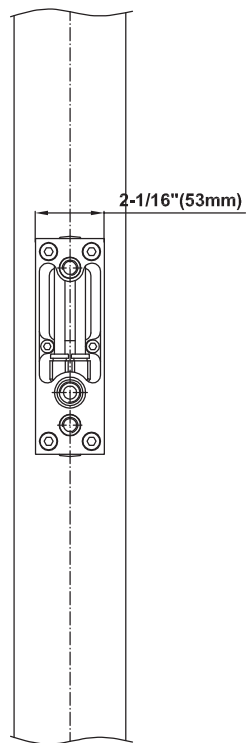
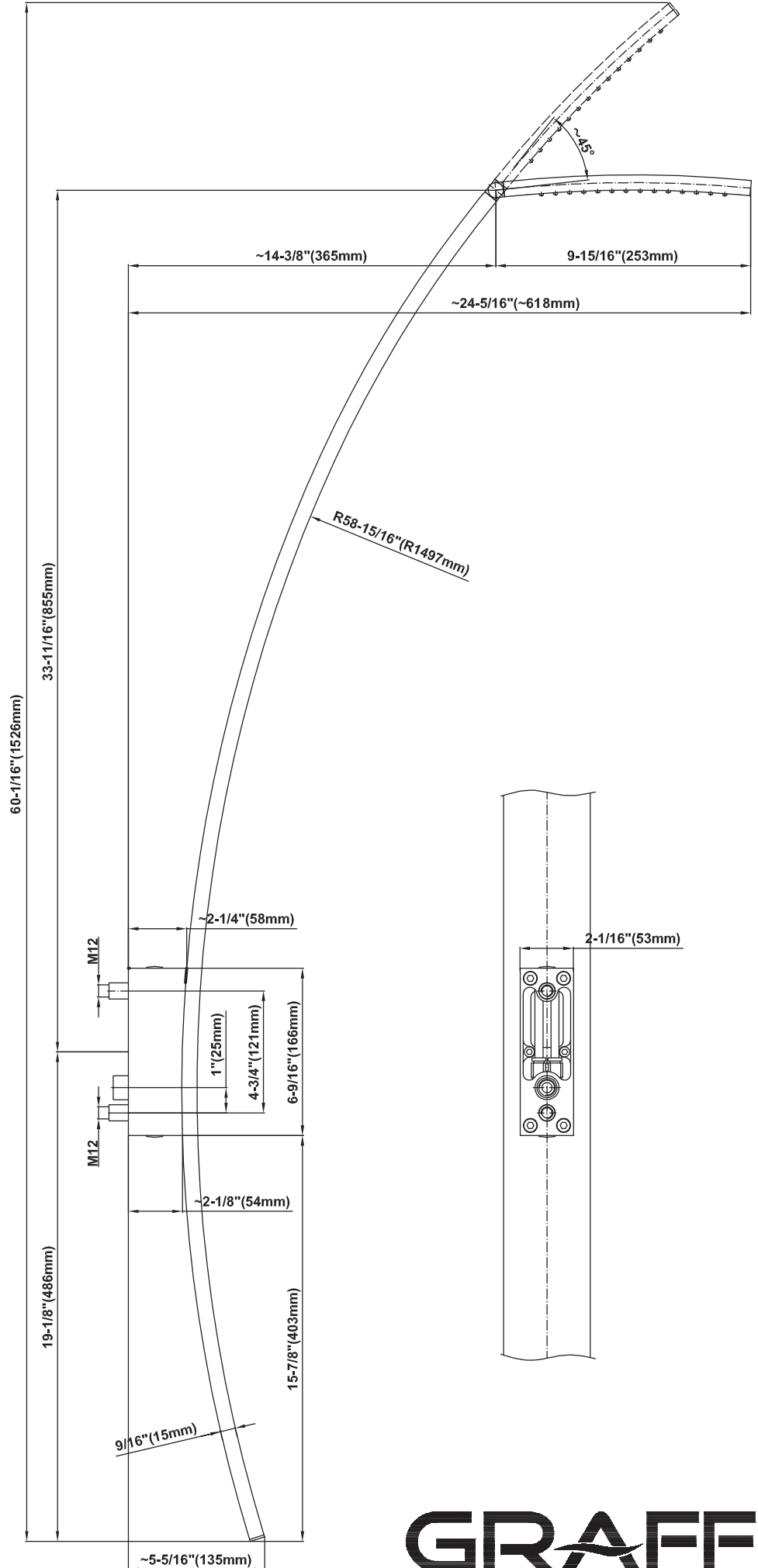
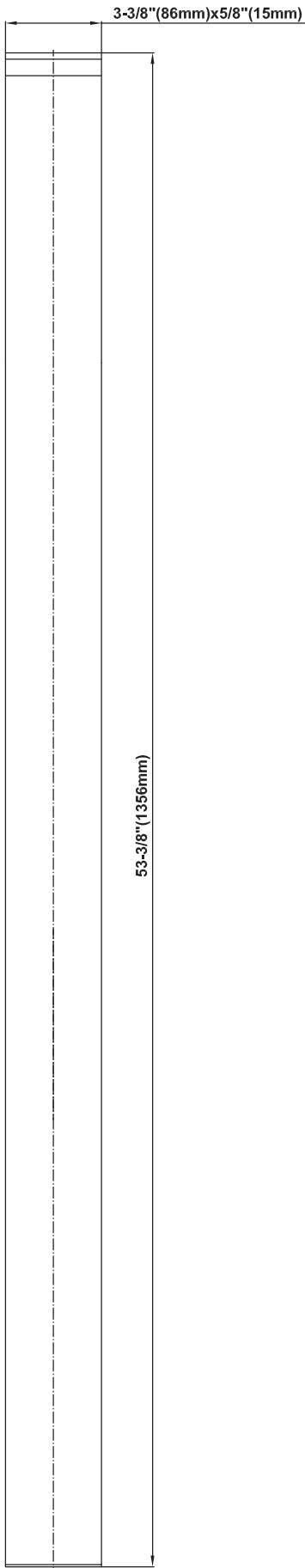
Polished
Chrome



Steelnox®
(Satin Nickel)

G-8700

LUNA Series



SHOWER
Rough
G-8705

GRAFF®



Finishes



Polished
Chrome



Steelnox®
(Satin Nickel)

G-8705

