
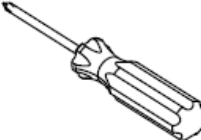

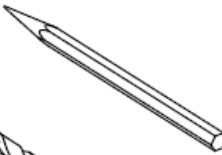

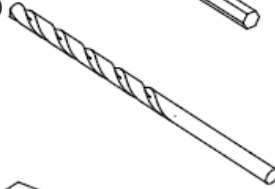

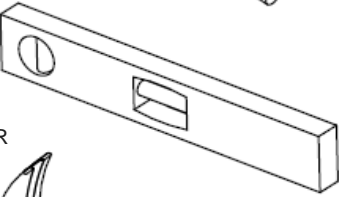

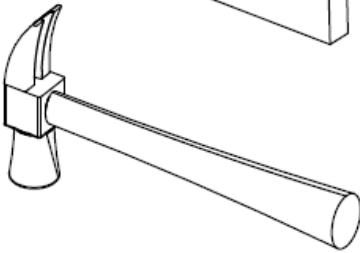

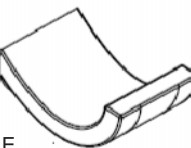


ITEMS INCLUDED	TOOLS REQUIRED
DRY WALL ANCHOR X 2 	PHILLIPS SCREW DRIVER 
TILE ANCHOR X 2 	PEN / PENCIL 
#8 SCREW X 2 	1/4" (6mm) DRILL 
MOUNTING BRACKET X 1 	LEVEL SET 
1/4-28 SET SCREW X 1 	HAMMER 
1/8" HEX KEY X 1 	
SINGLE ROBE HOOK X 1 	

GNG-4710  
 EN-1294  
 REV -

# CINU

## INSTALLATION INSTRUCTIONS

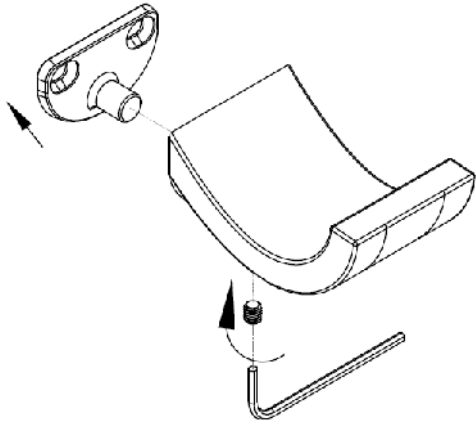
4710

### SINGLE ROBE HOOK

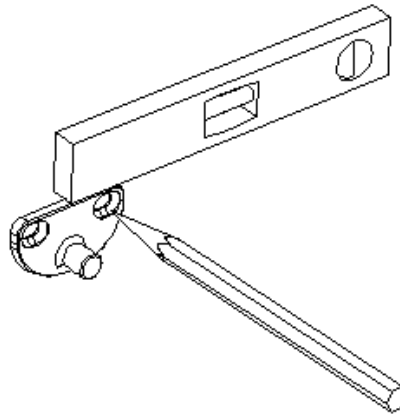
**GINGER**  
*Luxury For Your Lifestyle™*

2001 CARNEGIE AVE, SANTA ANA CA 92705  
 (949) 417-5207  
 WWW.GINGERCO.COM

① REMOVE MOUNTING BRACKET

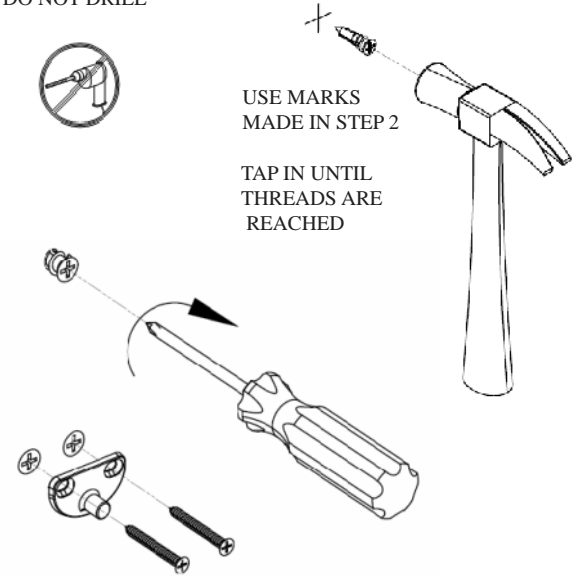


② ALIGN MOUNTING BRACKET AND MOUNT LOCATION



③ DRY WALL INSTALLATION

DO NOT DRILL

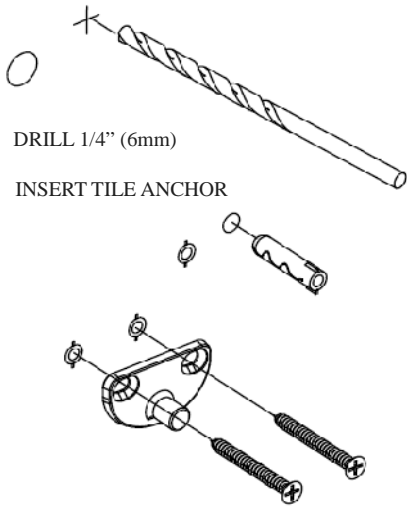


④ TILE OR SOLID WALL INSTALLATION

USE MARKS MADE IN STEP 2

DRILL 1/4" (6mm)

INSERT TILE ANCHOR



⑤ INSTALL PRODUCT ONTO BRACKET

SECURE WITH SET SCREW

