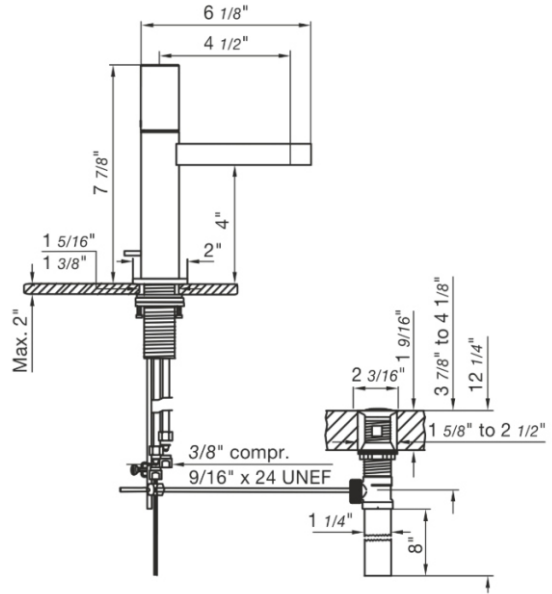


LOLLIPOP - FV182/J2P

Single handle lavatory set, plain cylinder handle, with pop-up drain assembly
 Monocomando con volante cilíndrico plano y desagüe "pop up".

FRANZ
VIEGENER



FEATURES

CARACTERÍSTICAS

- All brass construction.
Producto realizado íntegramente en latón.
- Brass valve bodies.
Cuerpos de válvulas fabricados en latón.
- Stationary spout with recessed aerator device.
Pico con aireador oculto.
- Flexible SS connectors with sediment screens.
Flexibles con conectores SS y filtro de sedimento.

COLOR / FINISHES

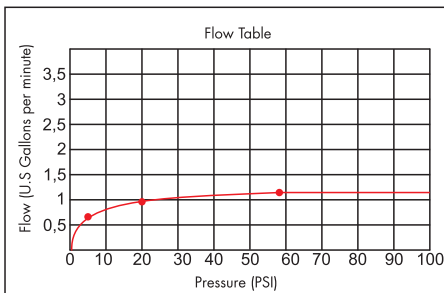
COLOR / ACABADOS

- | | | | | | |
|--|------------------------|--|------------------------|--|--------------------------------|
| | PC
Polished Chrome. | | PN
Polished Nickel. | | BN
Brushed Nickel. |
| | BG
Brushed Gold. | | PG
Polished Gold. | | RG
Rose Gold. |
| | BK
Black Chrome. | | FB
Flat Black. | | UPB
Unlacked Polished Brass |

FLOW RATE

CAUDAL

- Maximum flow rate 1,2 gpm (4,5 l/min).
Caudal máximo 1,2 gpm (4,5 l/min).



ITEM DETAILS

DETALLE DE PRODUCTO

COMPLIANCE CERTIFICACIONES

