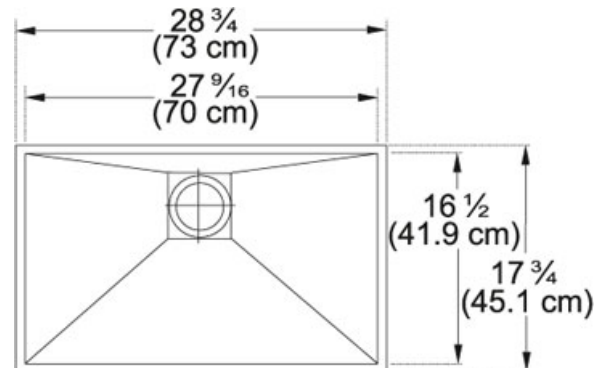


## Peak PKX11028 Stainless Steel | 122.0074.954

FAMILY : Sinks | SERIE : Peak | MODEL : PKX11028 | FINISH : Stainless Steel | INSTALLATION TYPE : Undermount | STYLE : Contemporary



### TECHNICAL DATA

Minimum Cabinet Size	33"
Drain Opening	3 1/2"
Length overall	28 3/4"
Width overall	17 3/4"
Length of large bowl	27 9/16" or 27 5/8"
Width of large bowl	16 1/2"
Depth of large bowl	9 7/8"
Number of Bowls	1
Cutout Length	27 9/16"
Cutout Width	16 9/16"
Type of Material	16-GA-STAINLESS-STEEL
Cut-Out Template	Yes
Installation Clips	Yes
Franke Integral Ledge	BUILT-IN
Where to buy	Showroom
Where to buy	Showroom

# Peak PKX11028 Stainless Steel | 122.0074.954

FAMILY : Sinks | SERIE : Peak | MODEL : PKX11028 | FINISH : Stainless Steel | INSTALLATION TYPE : Undermount | STYLE : Contemporary

## RELATED PARTS



112.0074.976



122.0074.951



122.0074.944



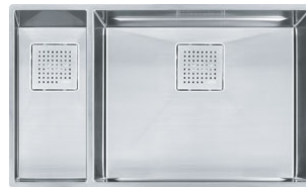
122.0074.938



122.0074.956



122.0192.590



122.0074.965



122.0080.011

## RECOMMENDED



115.0298.341



119.0355.521



119.0068.283



134.0297.202



---

133.0171.120

---

119.0066.616