



# FITZGERALD™

## MONOBLOCK LAVATORY FAUCET



- Stylized, sophisticated design with precise and elegant lines
- Ceramic disc valve cartridges
- Lead Free—faucet contains  $\leq 0.25\%$  total lead content by weighted volume
- Maximum flow rate: 1.2 gpm (4.5 L/min)

### CODES AND STANDARDS

Meets or Exceeds ASME A112.18.1/ CSA B125.1, NSF 61/Section 9

EPA WaterSense® Certified

Certified Compliant with  $\leq 0.25\%$  Weighted Average Lead Content Regulations

CEC and CALGreen® Compliant

### AVAILABLE FINISHES

Polished Chrome  
Brushed Nickel  
Platinum Nickel

### FINISH CODE

100  
144  
150

### DESCRIPTION

Monoblock Lavatory aFaucet

### PRODUCT NUMBER

D35160102.XXX

ROUGH IN DIAGRAM SHOWN  
ON NEXT PAGE

CALGreen® is a registered trademark of California Building Standards Commission.

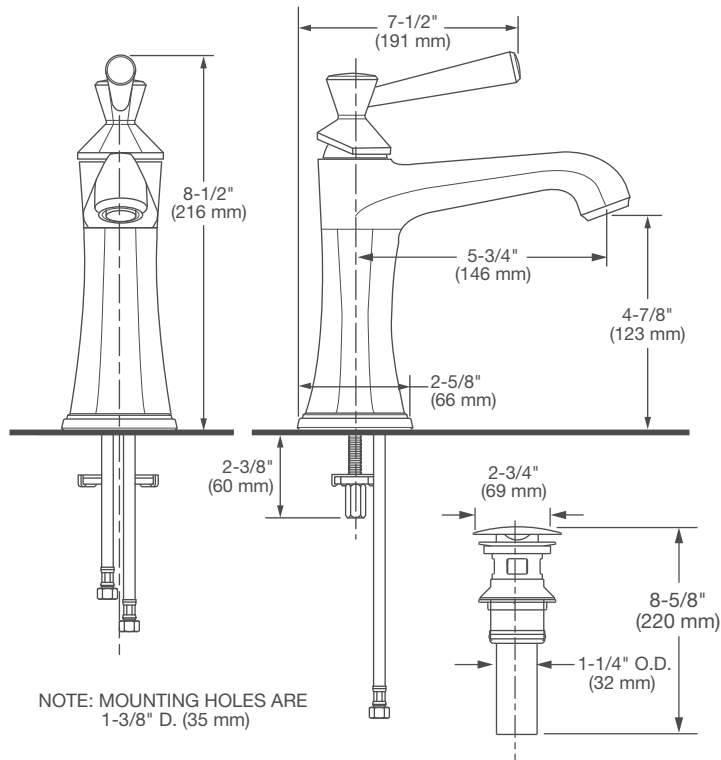


Meets the Americans with Disabilities Act Guidelines and ANSI A117.1 Requirements for the physically challenged.



# FITZGERALD™

## MONOBLOCK LAVATORY FAUCET



**IMPORTANT:** These measurements are subject to change or cancellation. No responsibility is assumed for use of superseded or voided pages.

PART OF **LIXIL**