

# WYATT®

## ONE-PIECE ELONGATED TOILET



### D22005C101.415

#### FEATURES

- Vitreous china
- Elongated bowl design
- Right Height®
- 2" fully-glazed concealed trapway
- High efficiency 1.28 gpf/4.8 Lpf
- Siphon action jetted bowl - 1,000 MaP
- PowerWash® rim scrubs bowl with each flush
- EverClean® surface inhibits the growth of stain and odor causing bacteria, mold and mildew on the surface
- 3" flush valve with chemical resistant flapper
- 12" (305 mm) rough-in
- 16-1/2" (419 mm) rim height for accessible applications
- Includes design matched Duroplast™ slow-close seat

#### DIMENSIONS

##### NOMINAL DIMENSIONS

29-3/4" x 15-3/8" x 30-3/4" (756 x 390 x 782 mm)

##### WATER SPOT

8-1/4" (210 mm) wide

9-1/4" (235 mm) length

5-1/2" (140 mm) distance to rim

#### COLORS/FINISHES

Canvas White (415)

#### COMPONENTS

**5006A20G.415** Elongated, Slow Close, Top Mount, Easy Lift Off, Telescoping

**735194-400.415** Tank Cover

**7381331-200-XXX0A** Plated Trip Levers (optional component)  
Satin Nickel (295)  
Polished Nickel (008)

#### COMPLIANCE CERTIFICATIONS

Meets or Exceeds ASME A112.19.2/CSA B45.1



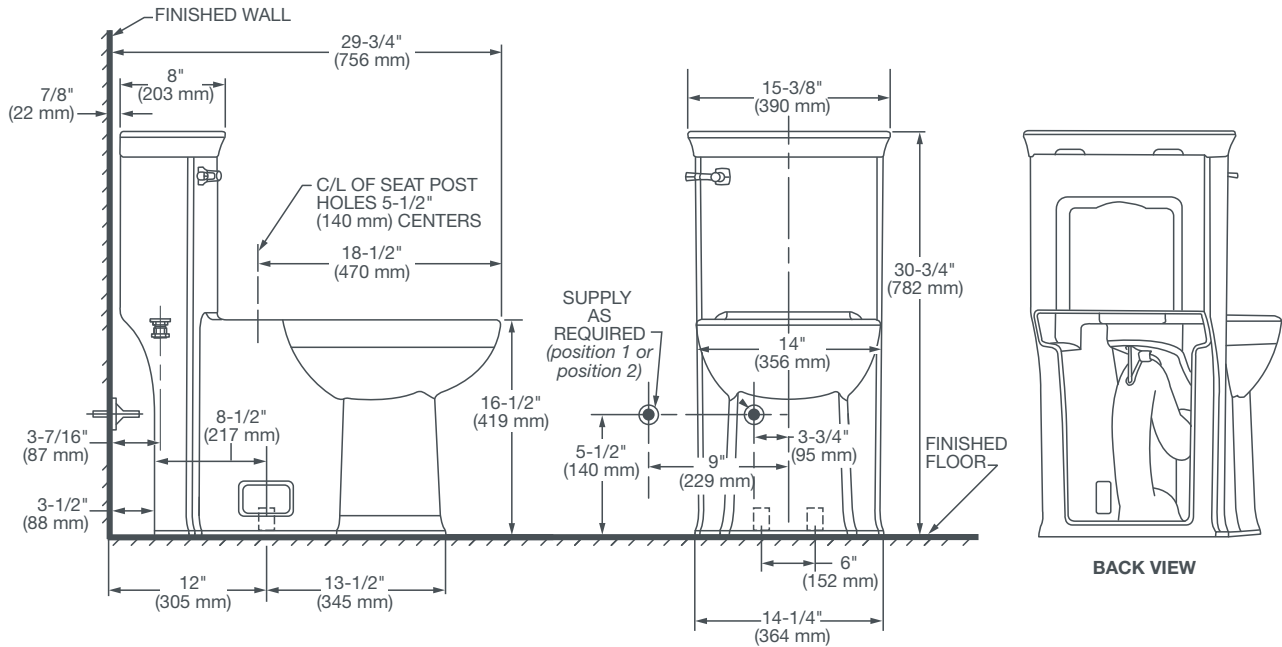
Meets the Americans with Disabilities Act Guidelines and ANSI A117.1 Requirements for Accessible and Usable Building Facilities-Check Local Codes.



ROUGH IN DIAGRAM SHOWN  
ON NEXT PAGE

# WYATT®

## ONE-PIECE ELONGATED TOILET



**NOTES:**

This toilet is designed to rough-in at a minimum dimension of 12" (305mm) from finished wall to C/L of outlet.  
 Supply not included with fixture and must be ordered separately.  
 Dimensions shown for location of supply is suggested.

**IMPORTANT:**

Dimensions of fixtures are nominal and may vary within the range of tolerance established by ANSI Standard A112.19.2.  
 These measurements are subject to change or cancellation. No responsibility is assumed for use of superseded or voided pages.