



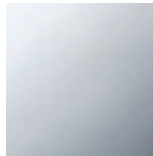
Sink - Tara.

Wall-mounted three-hole lavatory mixer without drain - polished chrome

Article number: 36 712 882-00 0010



- 7-1/2" Projection
- Round aerated stream
- Valve hole diameter 1-5/8"
- Spout hole diameter 1-5/8"
- Flange diameter 2-1/8"
- Water flow rate limited to max. 1.2 gpm
- lead-free
- (ADA)

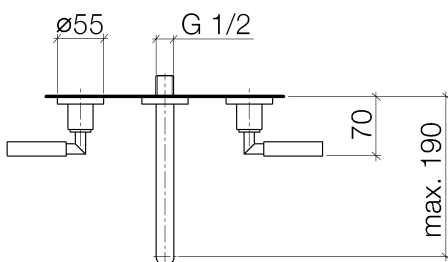
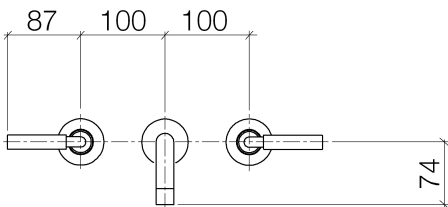


polished chrome



Accessory is required for this item.

Dimensional drawing



All dimensions in mm / inch = mm x 0,0394

Model/program/technical modifications and error excepted
For more information see: www.dornbracht.com + 49 (0) 2371 433-460 mail@dornbrachtgroup.de

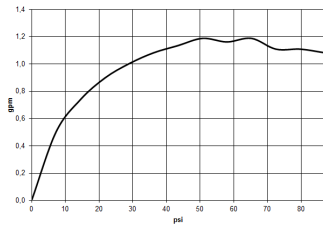


Sink - Tara.

Wall-mounted three-hole lavatory mixer without drain - polished chrome

Article number: 36 712 882-00 0010

Flow rate chart





Sink - Tara.

Wall-mounted three-hole lavatory mixer without drain - polished chrome

Article number: 36 712 882-00 0010

Other surface finishes



platinum matte

36 712 882-06 0010



platinum

36 712 882-08 0010



Brushed Durabrass

36 712 882-28 0010



black matte

36 712 882-33 0010



Dark Platinum matte

36 712 882-99 0010

More custom finish options are available via special production (xTra Service). Please see our finish matrix for availability and pricing or contact a Dornbracht representative.

Required article



35 707 970-90 0010

Rough for wall-mounted
faucet spout in center -



35 712 970-90 0010

Rough for wall-mounted
faucet flexible positioning -

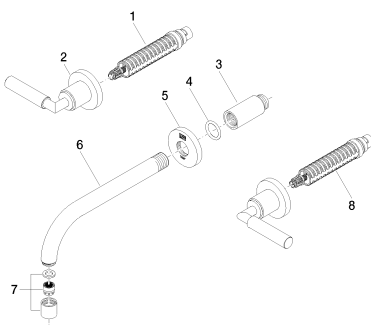


Sink - Tara.

Wall-mounted three-hole lavatory mixer without drain - polished chrome

Article number: 36 712 882-00 0010

Spare parts list



Number	Item Number	Designation	Number of units
1	90 90 03 156 00 90	top	1
2	36 310 882-00	Volume Control - polished chrome	2
3	09 24 03 081 10 90	extension	1
4	09 14 10 026 90	seal	1
5	09 27 22 501-00	rosette	1
6	04 28 22 090 10-00	spout	1
7	90 23 01 019 02-00	aerator	1
8	90 90 03 157 00 90	top	1