

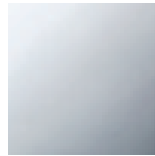


Bathtub - Symetrics

Volume Control with two volume controls with diverter for wall-mounted installation - polished

Article number: 36 337 980-00

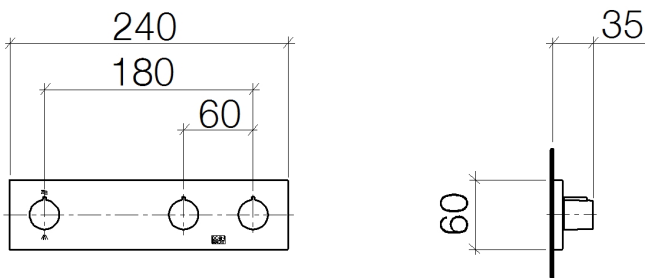
- Cover plate 9-1/2" x 2-3/8"
- Fittings group in compliance with DIN 4109: 2



polished chrome

Accessory is required for this item.

Dimensional drawing



All dimensions in mm / inch = mm x 0,0394

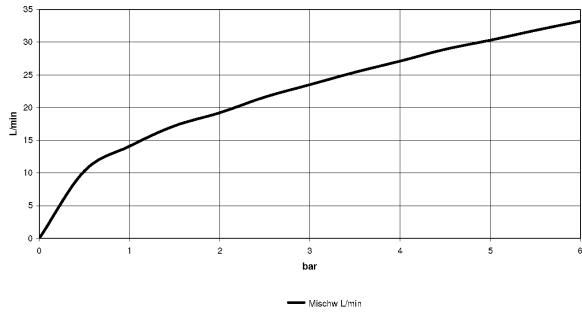


Bathtub - Symetrics

Volume Control with two volume controls with diverter for wall-mounted installation - polished

Article number: 36 337 980-00

Flow rate chart





Bathtub - Symetrics

Volume Control with two volume controls with diverter for wall-mounted installation - polished

Article number: 36 337 980-00

Other surface finishes



platinum matte
36 337 980-06



platinum
36 337 980-08



Brushed Durabrass
36 337 980-28

More custom finish options are available via special production (xTra Service). Please see our finish matrix for availability and pricing or contact a Dornbracht representative.

Required article



35 696 970-90 0010

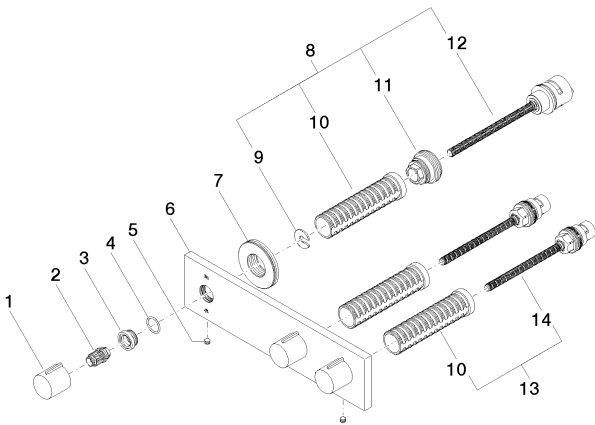
Rough for wall valve with two volume controls with diverter for wall-mounted installation -

Bathtub - Symetrics

Volume Control with two volume controls with diverter for wall-mounted installation - polished

Article number: 36 337 980-00

Spare parts list



Number	Item Number	Designation	Number of units
1	09 20 98 001-00	handle	3
2	09 12 12 005 90	fixing cap	3
3	09 12 12 043-00	base	3
4	09 14 10 017 90	seal	3
5	04 31 11 112 00 90	pin	2
6	09 27 98 023-00	plate	1
7	09 30 01 107 90	sleeve	1
8	90 90 03 159 00 90	diverter	1
9	90 90 03 202 00 90	top	2