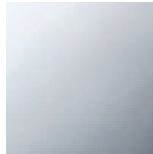




Shower - Madison
Exposed shower set - polished chrome
Article number: 34 459 360-00 0010



- Projection 16-1/2"
- Rainshower
- Rain shower Ø 7-7/8"
- Rain shower with descaling system
- Rain shower water flow rate limited to max. 1.8 gpm
- Shower head / hand shower diverter
- Height from center of faucet to bottom of rainhead 38-3/4"
- Height from center of faucet to top of shower arm 45-5/8"
- Flanges Ø 2-1/2"
- Wall bracket with flange Ø 2-5/8"
- Flange for wall connection Ø 2-3/8"
- Center to center 5-7/8" ± 1/2"
- Metal shower hose 49-1/4" with anti-twist device
- 1/2" connection
- Internal backflow preventer.
- NOTE: Hand shower sold separately. Please see hand shower options under the miscellaneous articles section of each series.



polished chrome

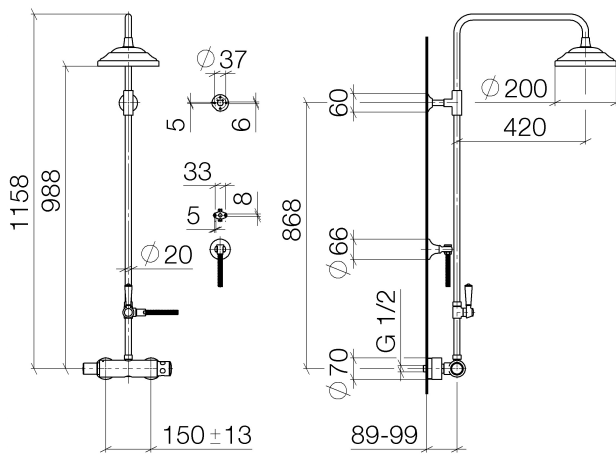
Accessory is required for this item.



Shower - Madison
Exposed shower set - polished chrome
Article number: 34 459 360-00 0010

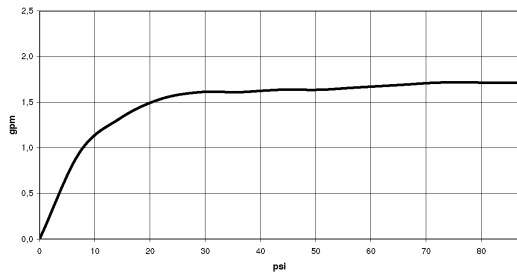
Dimensional drawing

1:10



All dimensions in mm / inch = mm x 0,0394

Flow rate chart





Shower - Madison
Exposed shower set - polished chrome
Article number: 34 459 360-00 0010

Other surface finishes



platinum matte
34 459 360-06 0010



platinum
34 459 360-08 0010



Durabrass
34 459 360-09 0010



Brushed Durabrass
34 459 360-28 0010



Dark Platinum matte
34 459 360-99 0010

More custom finish options are available via special production (xTra Service). Please see our finish matrix for availability and pricing or contact a Dornbracht representative.

Required article

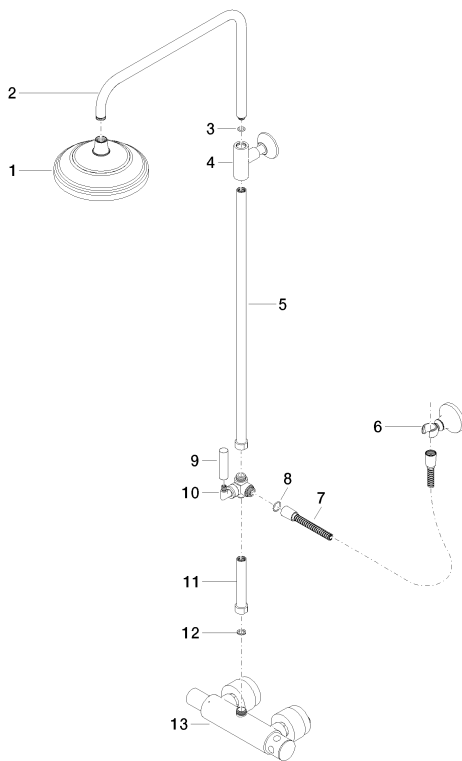


35 080 970-90 0010
Rough-in adapter -



Shower - Madison
Exposed shower set - polished chrome
Article number: 34 459 360-00 0010

Spare parts list



Number	Item Number	Designation	Number of units
1	04 12 05 038 30-00	shower	1
2	04 28 22 101 20-00	spout	1
3	09 14 10 011 90	seal	1
4	90 17 11 037 01-00	holder	1
5	90 28 22 104 00-00	pipe	1
6	28 050 410-00	holder	1
7	28 104 970-00	Metal shower hose 1/2" x 1/2" x 49-1/4" - polished chrome	1
8	09 14 10 122 90	seal	1
9	11 170 880-00	handle	1
10	90 17 09 045 00-00	diverter	1
11	90 28 22 103 00-00	pipe	1
12	09 14 20 002 90	seal	1
13	04 17 01 044 01-00	fitting	1