



Sink - IMO

Single-lever lavatory mixer without drain - Brushed Chrome

Article number: 33 527 670-93 0010

Date of manufacture from 5/10/2021



- 4-1/8" Projection
- Rigid spout
- Rectangular aerated stream
- Total height 5-7/8"
- Height to aerator/spout outlet 3-1/8"
- 1-3/8" hole diameter
- Progressive temperature cartridge
- 2 x pressure hose with 3/8" compression fitting
- Water flow rate limited to max. 1.2 gpm
- lead-free

Codes & Standards

- NSF/ANSI 372
- California Energy Commission (CEC)
- ASME A112.18.1/CSA B125.1
- NSF/ANSI/CAN 61



Brushed Chrome



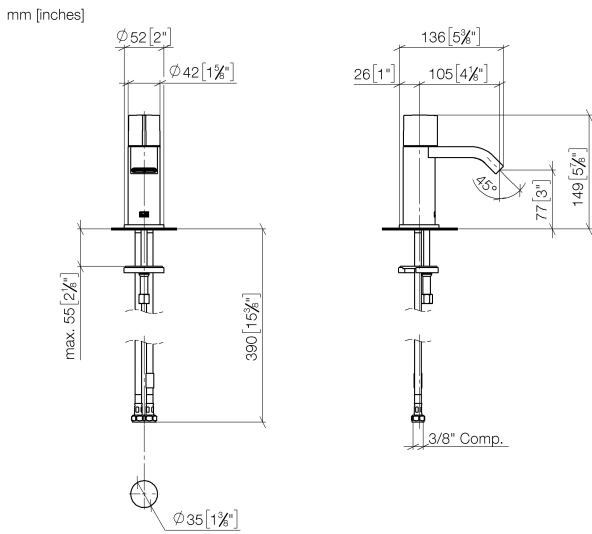
Sink - IMO

Single-lever lavatory mixer without drain - Brushed Chrome

Article number: 33 527 670-93 0010

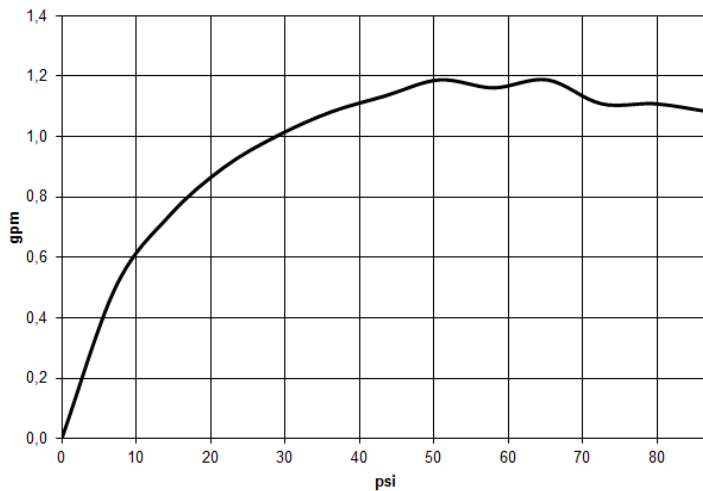
Date of manufacture from 5/10/2021

Dimensional drawing



All dimensions in mm / inch = mm x 0,0394

Flow rate chart





Sink - IMO

Single-lever lavatory mixer without drain - Brushed Chrome

Article number: 33 527 670-93 0010

Date of manufacture from 5/10/2021

Other surface finishes



Chrome

33 527 670-00 0010



Brushed Platinum

33 527 670-06 0010

More custom finish options are available via special production (xTra Service). See our finish matrix for availability and pricing or contact a Dornbracht representative. Some series may be excluded and some finishes may not be available in all series.



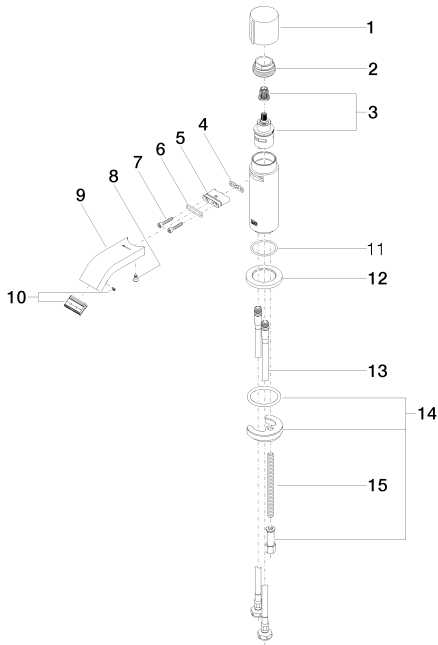
Sink - IMO

Single-lever lavatory mixer without drain - Brushed Chrome

Article number: 33 527 670-93 0010

Date of manufacture from 5/10/2021

Spare parts list



Number	Item Number	Designation	Number of units
1	09 20 67 001-93	handle	1
2	09 23 10 065-93	nut	1
3	90 90 03 162 00 90	top	1
4	09 14 03 131 90	seal	1
5	09 11 03 061 90	connection	1
6	09 14 10 053 90	seal	1
7	09 30 30 182 90	screw	2
8	09 30 30 116 90	screw	1
9	09 28 22 238-93	spout	1
10	90 29 03 118 00 90	aerator	1
11	09 14 10 104 90	seal	1
12	09 27 67 003-93	rosette	1
13	04 30 04 106 00 90	hose	2
14	04 30 11 085 01 90	fixing set	1
15	09 31 11 012 90	pin	1