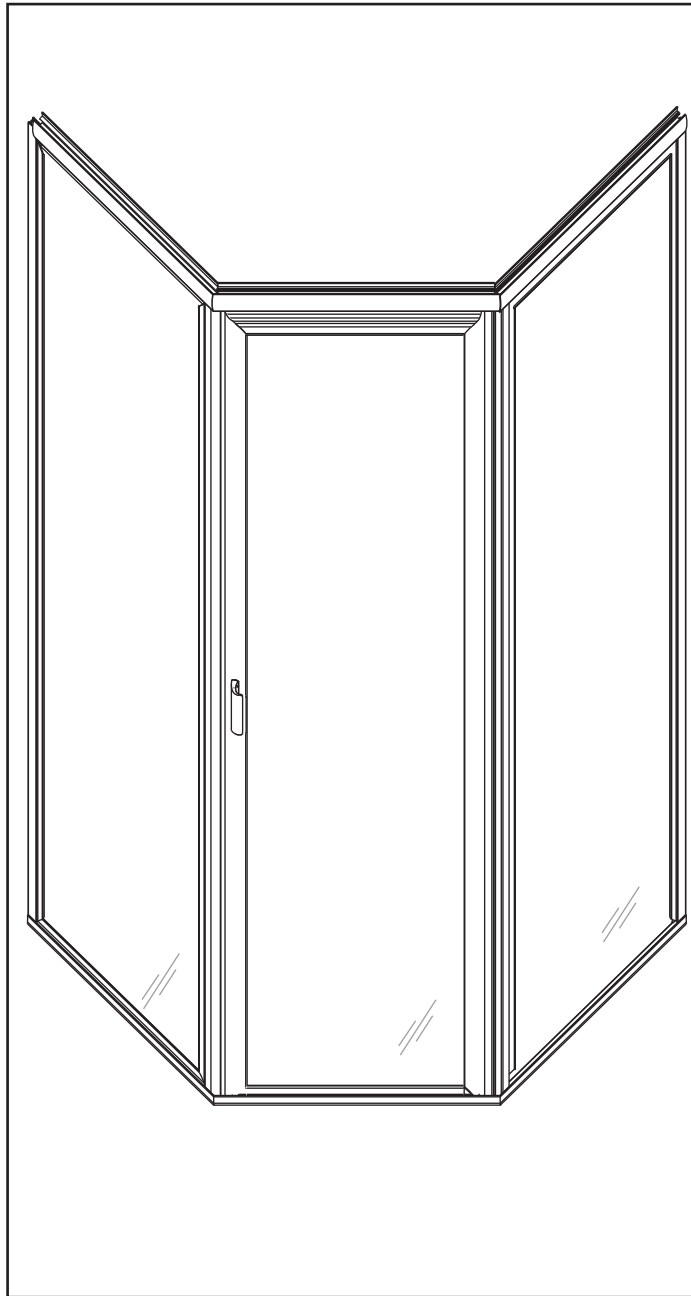
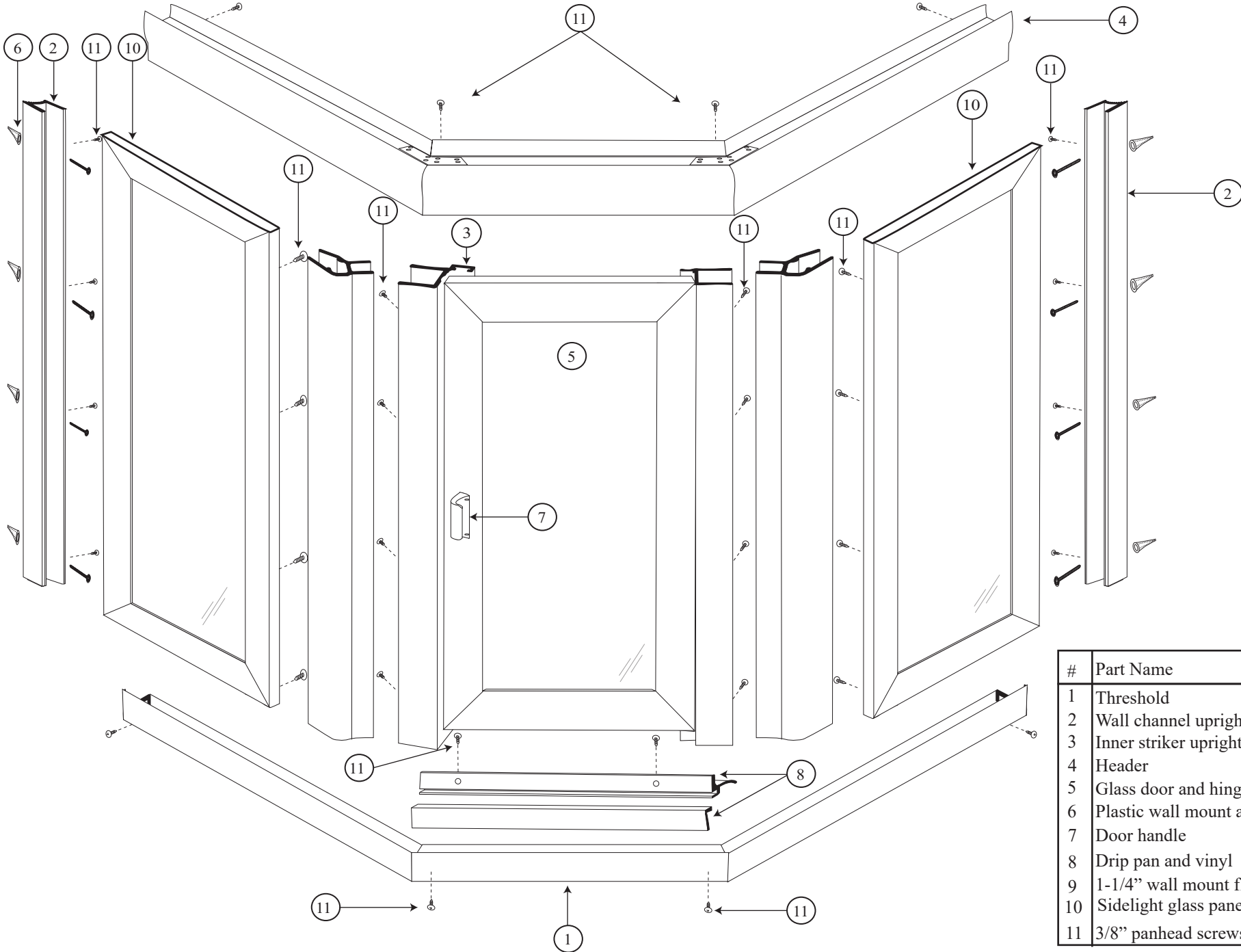


L-1669

Lucette Framed Shower Door
Instruction Manual

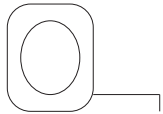


Detailed diagram of L-1669 components

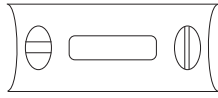


#	Part Name	Qty
1	Threshold	1
2	Wall channel upright	2
3	Inner striker upright	1
4	Header	1
5	Glass door and hinge	1
6	Plastic wall mount anchors	8
7	Door handle	2
8	Drip pan and vinyl	1
9	1-1/4" wall mount flat head screws	8
10	Sidelight glass panel	2
11	3/8" panhead screws	34

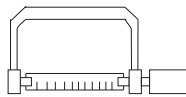
Tools required



Tape Measure



Level



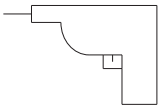
Hacksaw



Safety glasses



Drill bits (2) (#32 metal bit,
3/16" carbide masonry bit)



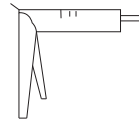
Drill



Flat head and
Phillips head
Screwdriver



Pencil/Marker



Caulking gun



Masking tape

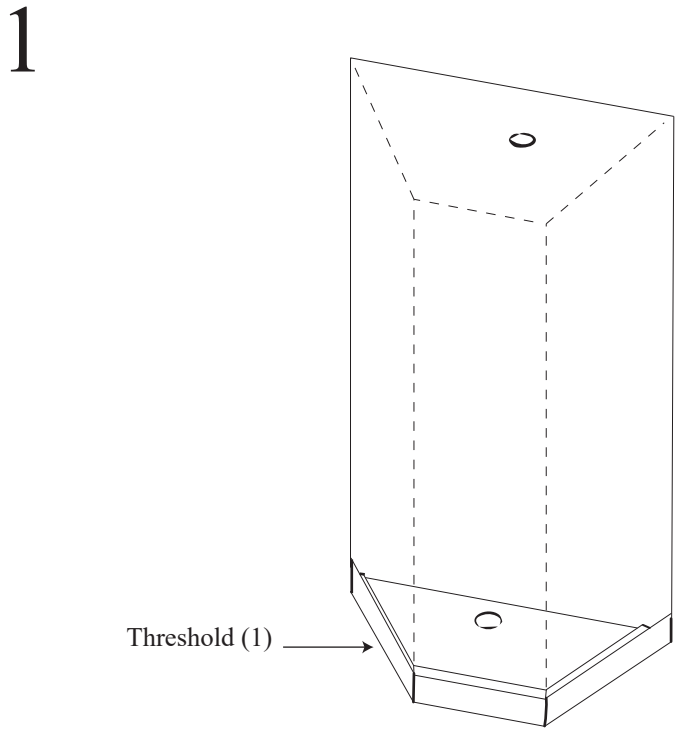


Scissors

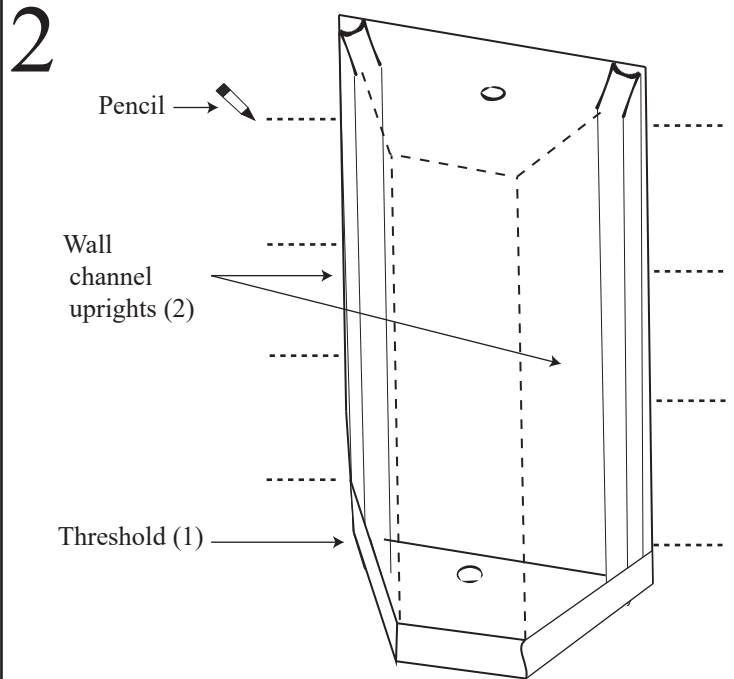


WARNINGS

- **Before starting, please read instructions carefully and thoroughly; then proceed step by step.
- **Please wear safety glasses and safety gloves whenever drilling or cutting tile or handling metal/glass parts.
- **When drilling through tile, carefully break through glazed surface only with sharp tool and then drill slowly.
- **Wall uprights must be installed level and plumb. Do not follow grout lines.
- **To insure complete customer satisfaction Century Bathworks recommends installation by a professional.
- **Risk of injury or product damage. Two people should perform this installation.
- **Do not cut the top and bottom track the same length for this installation.
- **Please carefully unpack all parts for your unit as listed on previous page and also check that you have all the tools as listed above.
- **If any parts are missing or damaged, please contact Century Bathworks or your dealer for replacements.

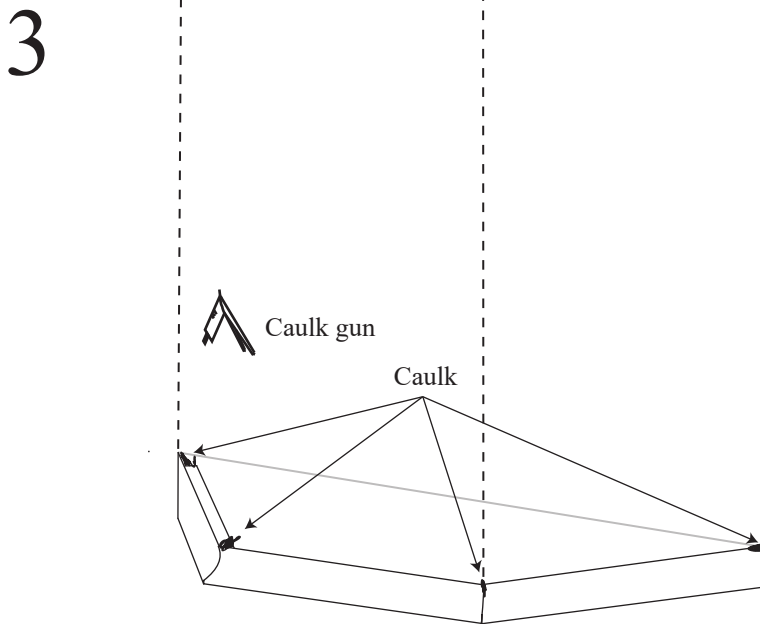


- Place the threshold on the base as shown accordingly.
- Long side of the threshold faces outside of shower.



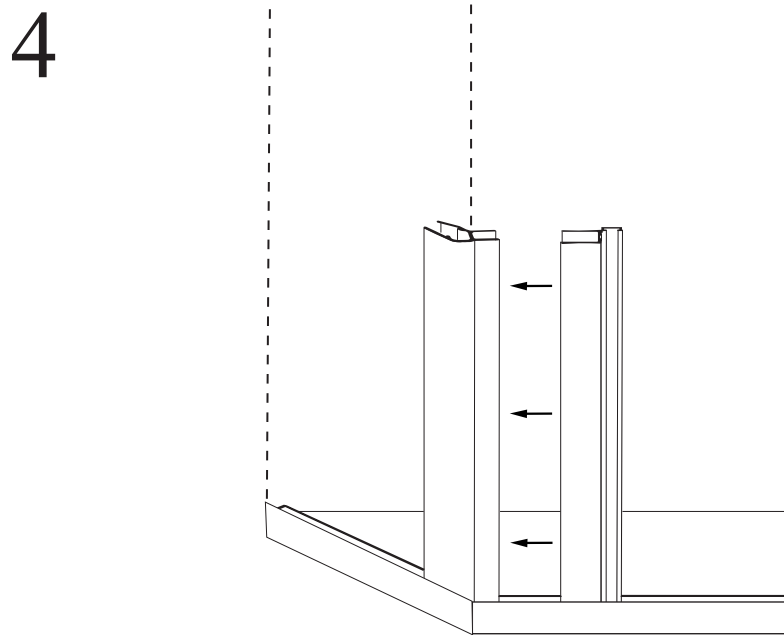
Required:
Pencil/Marker, masking tape, 3/16" carbide masonry bit, level, drill

- Place wall channel uprights on to the threshold sticking to the wall. Hold in place with masking tape. Make sure it is level and plumb. Mark the holes on the wall using a pencil or marker. Remove the wall channel uprights and threshold.
- Drill holes with 3/16" carbide masonry drill bit. Insert plastic wall anchors. Remove all the wall debris.



Required:
Caulking gun, drill/screwdriver

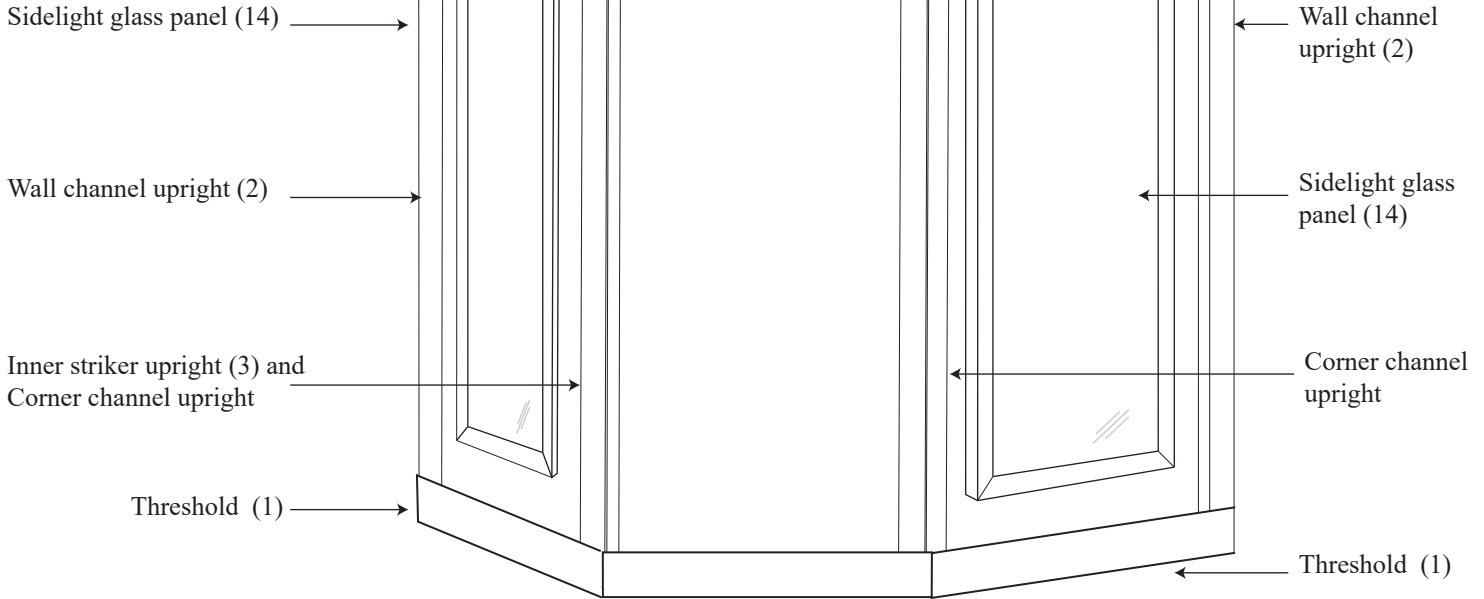
- Again place the threshold on the base and caulk inside of threshold from the top at each wall and at all the joints.
- After the caulking is done, screw outer wall channel uprights to wall through predrilled holes with 1-1/4" flathead screws.



Required:
Masking tape

- Insert the inner striker upright over the corner channel upright and place it in either corner of threshold, based on door swing direction.
- Tape into place or let someone hold it temporarily.
- Do not screw into place until step 10.

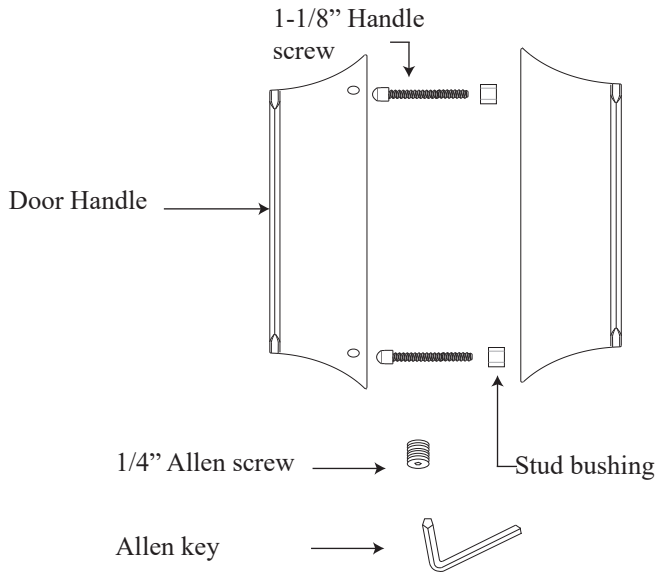
5



Required:
Masking tape

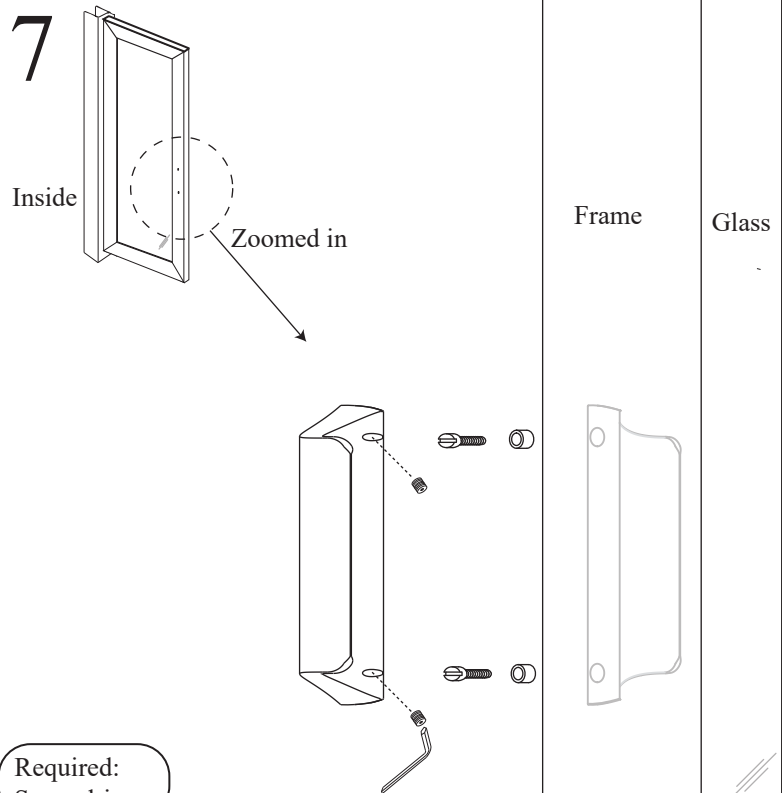
- Place the neo-angle upright at the corner of the unit and hold it in place with masking tape or let someone hold temporarily.
- Place sidelight glass panel on top of threshold more than halfway into wall channel uprights.
- **Sidelight glass panel should only insert halfway into any uprights

6



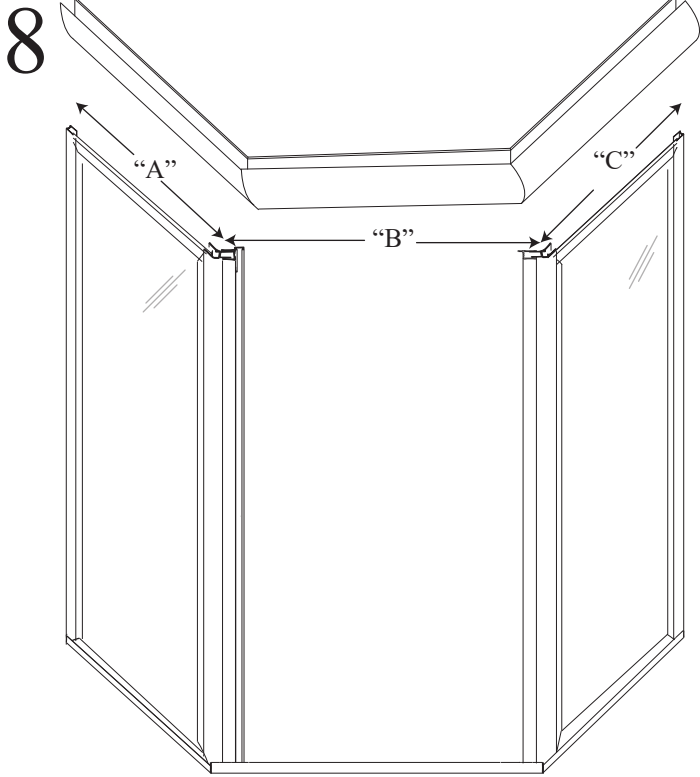
- Unpack the door handle assembly.
- It contains: Door handle- 2 pcs
1 1/8" Handle screw- 2 pcs
Stud bushing- 2 pcs
1/4" allen screw- 2 pcs & Allen key- 1 pc

7



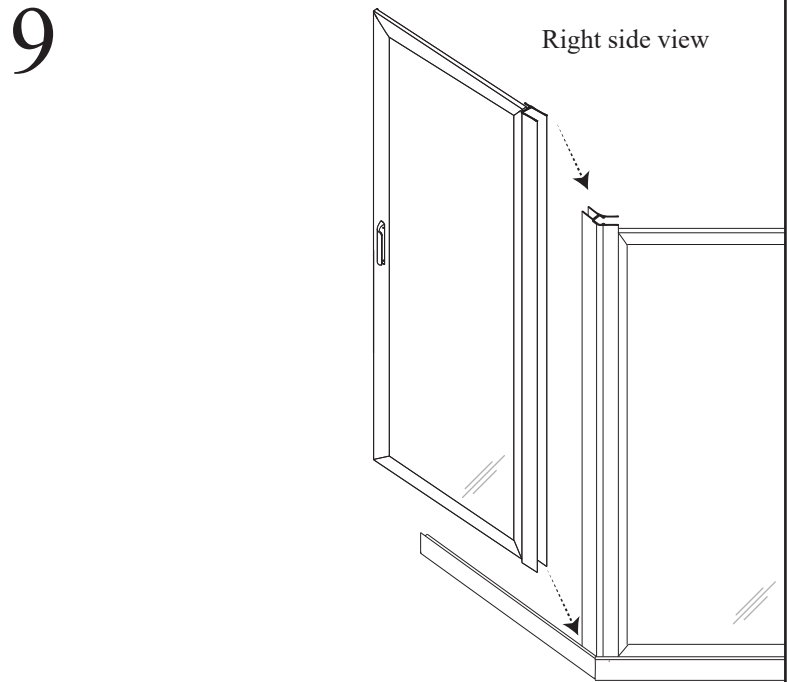
Required:
Screwdriver

- Insert screw through frame via pre-drilled holes making sure screw head and stud bushing are on inside of door.
- Screw handle with 1-1/8" flathead screws to secure on handle to place.
- Use 1/16 allen wrench to secure 1/4" allen screws into the other handle.



Required:
Tape measure, hacksaw

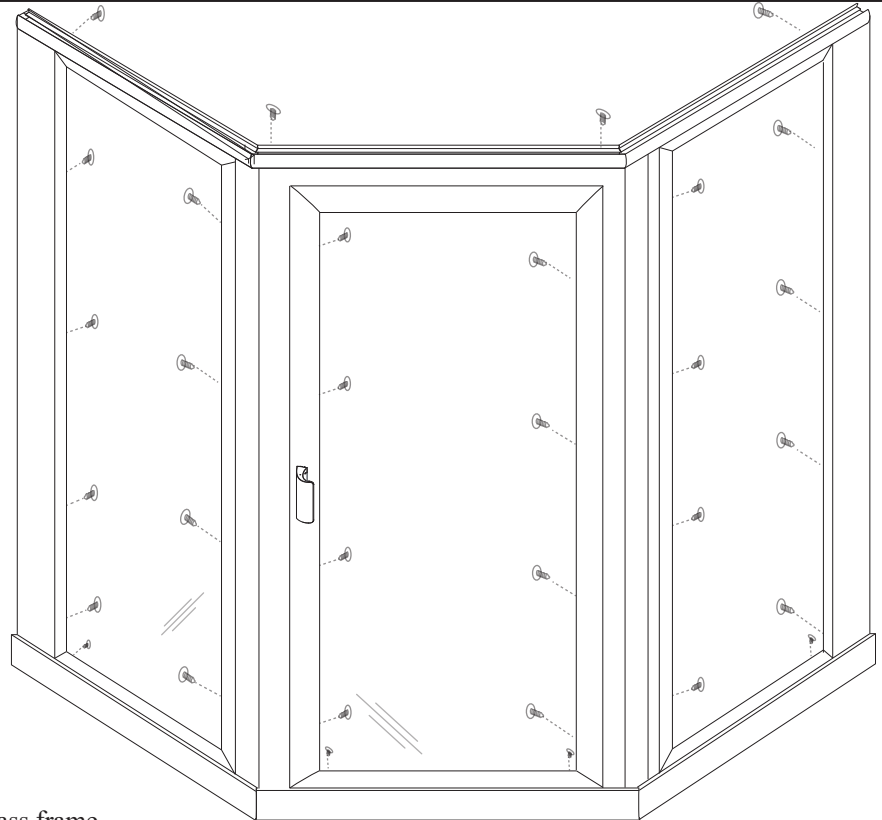
- Measure and consider the length "A", "B" and "C" and cut the header accordingly.



Required:
Masking tape

- Slide glass door with hinge piece into the corner channel upright.
- Hold into place with masking tape. Do not screw.

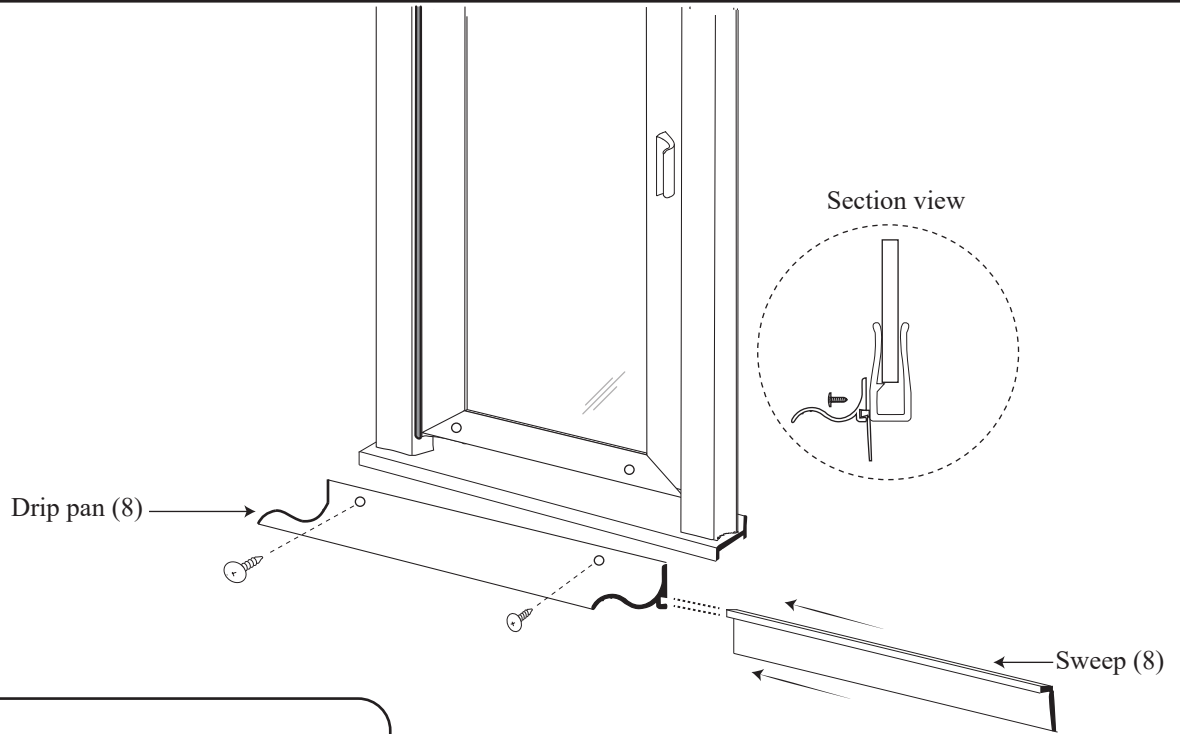
10



Required:
Masking tape, #32 metal drill bit, screwdriver, drill

- Place header on top of the unit to fit.
- Drill holes with #32 metal drill bit in-
 wall channel upright + glass frame,
 corner channel upright + inner striker upright,
 hinge assembly + corner channel upright
 to line up with pre-drilled holes on uprights. Also, drill to fit threshold and header
- Check the door swing. Screw the complete assembly with 3/8" panhead screws.

11

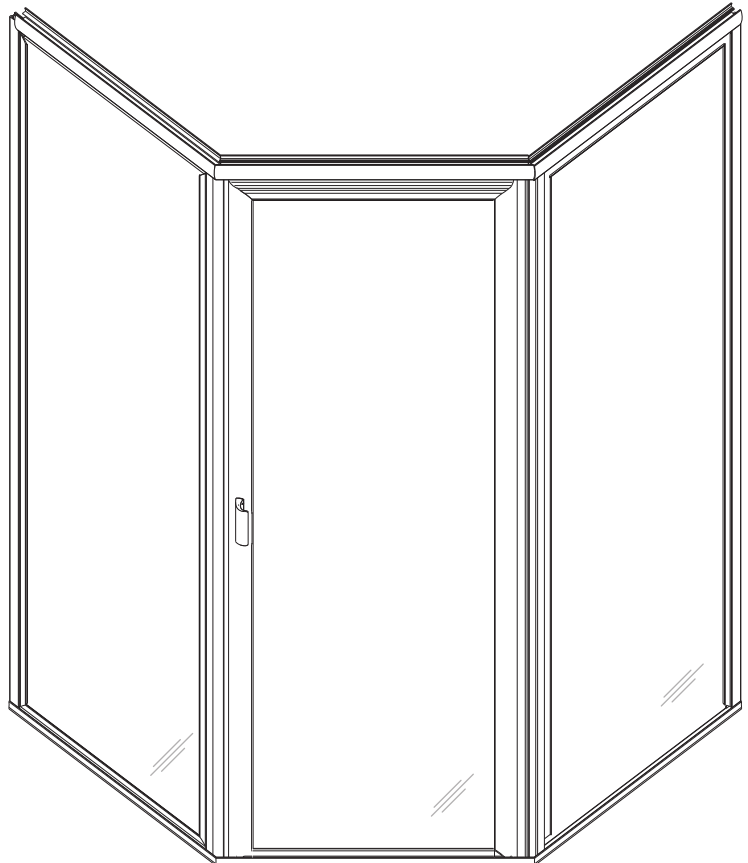


Required:

Caulking gun, hacksaw, tape measure, level, drill, screwdriver

- Measure from inside of the stall the distance between the inner striker upright and door hinge piece.
- Trim the extra length of the drip pan that would be on the striker side of door. File the cut, smooth and round the edge.
- Adjust position as needed to provide a slight horizontal tilt to the drip pan (with low side toward the hinge side of the door) so that the water runs back into shower.
- Align bottom edge of the drip pan with the bottom edge of the door and drill holes to mount drip pan. (Be sure to avoid drilling into glass.) Slide vinyl sweep into drip pan as shown. Use screws to fix drip pan to door. Apply silicone to fix sweep.

12



Required:

Caulking gun

- On completion of assembly and installation, caulk entire inside of the unit where it meets the wall and the base and the outside of threshold where it meets the walls and base to prevent water leakage. Wait for 24 hours before using, for silicone to dry.