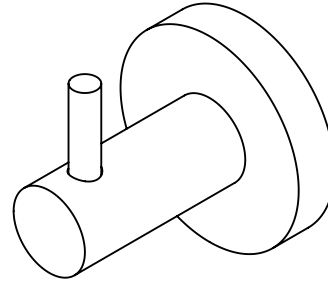




Features

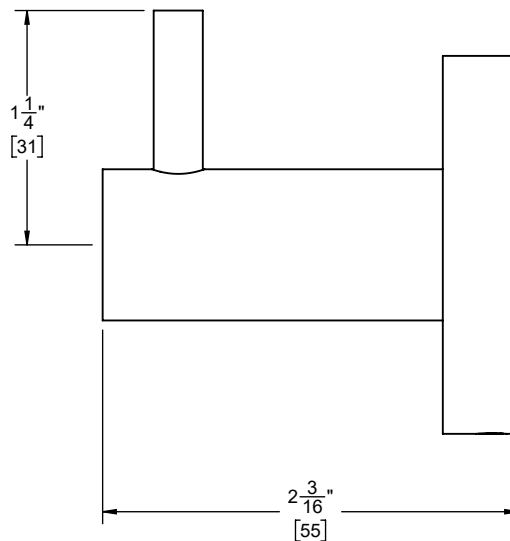
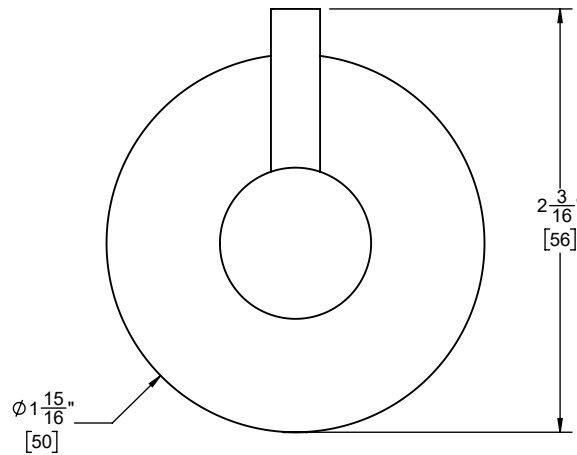
- Available in 28 finishes including 13 PVD finishes
- All brass construction
- Includes all mounting hardware

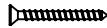
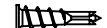


Codes/Standards

Product meets or exceeds the following:

- None applicable



-  (2X) 8 X 1-1/2" PHILLIPS HEAD SCREW
-  (2X) 1 X 3/8" WALL ANCHOR

DIMENSIONS SHOWN TO NEAREST 1/16"
[DIMENSIONS SHOWN TO NEAREST 1MM]