

ORIGAMI 7242 ORIGINAL SERIES

72" x 42" x 22"

The traditional Japanese art of folding paper into symbolic shapes is the inspiration behind the Origami Collection, which stands out for its clean lines and versatility.



Slim deck 1/2"

PRODUCT NO.

MODEL	TMU	TUB
5" deck	BOOVRI00T-XX	BOOVRI00N-XX
2" deck	BOOVRI20T-XX	BOOVRI20N-XX
Slim deck	BOOVRI10T-XX	BOOVRI10N-XX

THERMOMASSEUR (TMU) Hydro-thermo massage • Air jet system	\$7,105
Jets	44
1 heated backrest	Included
MiaPlus® Control	Included
BU-Touch Control Application BUTOUCH	\$430
Geysair®	Included
AromaCloud®** BAROMAC	\$490
AromaFlow*** BAROMAF NEW	\$950
Illuzio Chromatherapy BCHRO6	\$925
2 nd heated backrest (WTS-1 zone) BSHB	\$1,125

TUB Soaker	\$3,890
AromaCloud®** BAROMAC	\$490
AromaFlow*** BAROMAF NEW	\$950
Illuzio Chromatherapy BCHRO6	\$925
WarmTouchShell® BWTS	\$1,125
DOT control	Included with therapy
2 nd WarmTouchShell® BWTS2	\$370

FEATURES

Installation type	Drop-in: 1/2", 2" & 5" & Alcove (3 walls): 2"		
No. of bathers		Imp. gallons	60
US gallons	72		

STANDARD COLOR

		Included
White 01	Biscuit 02	

OPTIONS (UPCHARGE APPLICABLE)

FINISH

UltraVelour Matte Finish (white only) **BVEL1** \$650

UNIVERSAL ARMRESTS **BGBGU-XX**

White **01** \$750

SKIRT (2" deck only)

MULTIFIT
BSMUL-XX

SJ-1
BSJ1-XX

White **01**, Biscuit **02** \$600 \$715

TILE FLANGE (with 2" deck only) (specify front or back)

Ordered with bath (not installed) **BTILEN** \$79

Factory-installed. Front **BTILEF**, Back **BTILEB**,
Special installation **BTILEO** \$155

WASTE & OVERFLOW

16" x 35"
BOVER16-XX

INTE-GRATED
BOVERIN-XX

Chrome **07** \$260 \$235

White **01**, Biscuit **02** \$290 \$235

Matte White with UltraVelour finish **32** N/A \$235

Brushed Nickel **09**, Polished Nickel **10** \$400 \$235

Oil-rubbed Bronze **11** \$400 N/A

Matte Black **19**, Satin Brass **18** N/A \$355

IF REQUIRED BY CONSTRUCTION CODE

Brass waste & overflow kit** **BDRCOB** \$240

Brass waste kit** **BDRCB** \$60

16" x 35" Cable driven brass waste & overflow kit **BOVERBR** \$240



Don't forget to indicate the deck height (1/2", 2" or 5").

Slim deck are available for Drop-in installation only.

* The AromaCloud® is built into the deck (factory installed).

** When ordered with integrated waste & overflow.

*** When ordering an AromaFlow, an Integrated waste & overflow is mandatory (Upcharge). Specify the finish of the waste.



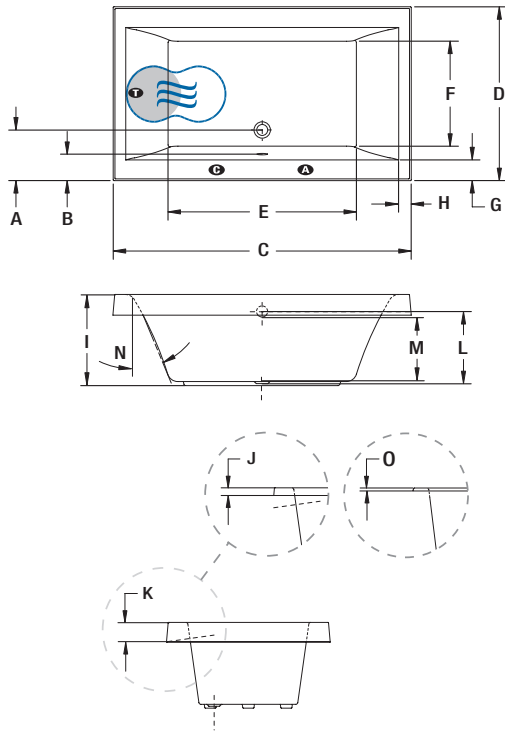
ORIGAMI 7242 ORIGINAL SERIES



5" deck

INSTALLATION

A When tile flange is added, the AromaCloud® will automatically be installed on the opposite side of the flange.



LETTER	DESCRIPTION	MEASURE
A	Outside edge to center drain	12 1/4"
B	Outside edge to overflow	5 3/8"
C	Total length (with 1/2" deck height)	71 1/4"
	Total length (with 2" deck height)	71 5/8"
	Total length (with 5" deck height)	72 1/8"
D	Total width (with 1/2" deck height)	41 1/4"
	Total width (with 2" deck height)	41 5/8"
	Total width (with 5" deck height)	42 1/8"
E	Bathing well length	45"
F	Bathing well width	26 1/4"
G	Deck width	5 3/8"
H	Deck width at backrest ends	3"
I	Height from bottom of bath to top deck	22"
J	Height from bottom of deck to top deck	2"
K	Height from bottom of deck to top deck	5"
L	Height from bottom of drain to center of overflow	17 1/8"
M	Maximum water level (Waste & overflow 16" x 35")	16"
	Maximum water level (Integrated waste & overflow)	16 3/4"
	Maximum water level with AromaFlow	16 1/4"
N	Slope of backrests	24°
O	Height from bottom of deck to top deck	1/2"

- A** AromaCloud® position
- G** Control position when factory-installed (Mia® or DOT)
- T** Turbine position (TMU)
- Indicates heated backrest (TMU)
- ☞ Indicates WarmTouchShell® position (TUB)

TECHNICAL SPECIFICATIONS

Hot water supply required	The hot water supply should be 70% or more of the bath's total water capacity.
Turbine	Access to the pump must be at least 18" x 22". Standard connection is 20 A, 120 V, 60 Hz , dedicated line with a Ground-Fault Circuit Interrupter (GFCI). For any additional option, a second line is needed 15 A, 120 V, 60 Hz , dedicated line with a GFCI. Air vent necessary: 2" x 4" minimum.
Others	<ul style="list-style-type: none"> - The Geysair® is located on the same side as the heated backrest. It must NOT be relocated. It must be connected to the hot water supply and be accessible (provide access). - Optional tile flange with 2" deck height only (specify front or back). - The water level will vary when an AromaFlow or an Integrated waste & overflow is installed.

Our products must be installed by certified professionals only and according to our Owner's Manual as well as federal, provincial/state and local building codes and regulations (www.bainultra.com/dealers/dealer-documentation-and-catalog).

Cutting template	# 90000052
Approx. shipping weight	140 lb
Turbine power	550 W
Air heater	600 W
WARRANTY	
Controls-LED-Geysair*	5 years
Bath & turbine*	20 years

* Some restrictions apply | www.bainultra.com/warranty

The specifications shown indicate the outer edge dimension and the inside bathing capacity dimension measured at air jets' height. The manufacturer accepts a 1/4" [0.64 cm] variance. There are variations on each product and specifications are subject to change as we improve upon our product as required. The dimensions needed for site preparation and structure building will differ. BainUltra® assumes no responsibility for preparatory work done prior to the product being on site.