

Brand AXOR
Art. Name **AXOR One** Diverter Trim Trio
Art. Nr. 45772671
Surface matte black
Pos. 1

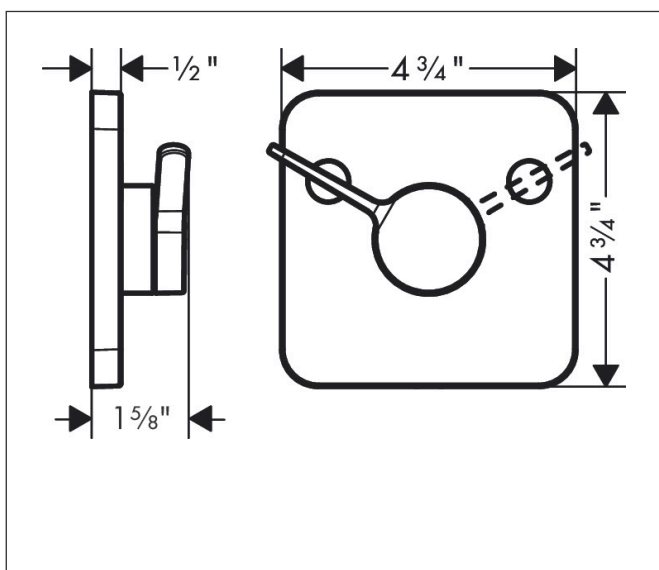
Product Picture



Features

- Metal escutcheon, Handle, Sleeve

Drawing



Technology